

MAZDA

GB USB CABLE SET Installation Instructions	N USB KABELSETT Monteringsveiledning
D USB-KABELSATZ Einbauanleitung	S USB-KABELSET Monteringsanvisning
E JUEGO DE CABLE USB Instrucciones de Montaje	SF USB-JOHTOSARJA Asennusohje
F JEU DE CÂBLES USB Instructions de Montage	CZ SOUPRAVA USB KABELU Návod k Montáži
I SET CAVI USB Istruzioni di Montaggio	H USB-KÁBELKÉSZLET Beszerelési Utasítás
P JOGO DE CABOS USB Instruções de Montagem	PL ZESTAW KABLI USB Instrukcja Instalowania
NL USB KABELSET Inbouw-Instructie	GR ΣΕΤ ΚΑΛΩΔΙΟΥ USB Οδηγίες Τοποθέτησης
DK USB-KABELSÆT Monteringsveiledning	RU НАБОР USB-КАБЕЛЕЙ Инструкции по установке

NOTE : For Vehicles with
MZD Connect only

MAZDA2 (DJ1)
MAZDA3 (BL)
MAZDA6 (GJ/GH)
MAZDA CX-3 (DJ1)
MAZDA CX-5 (KE/GH)
MAZDA CX-5 (KF)
MAZDA CX-9 (TB)
MAZDA MX-5 (ND)

Part No: **C830 V6 60Z**

Date: 28-08-2018

© Copyrights MAZDA

Sheet 1 of 73

Expert Fitment Required
Montage durch Fachwerkstatt erforderlich
Montaje sólo por el concesionario
Montage par spécialiste nécessaire
E' necessario in officina specializzata
Especialista em montagem requerido
Montage door vakman nodig
Montage ved professionelt værksted påkrævet
Nødvendig med montering fra fagvejverksted
Verkstadsmontage erfordras
Asennus tarpeen merkkikorjaamossa
Montáž ve specializované dílně nutná
A szereléshez szakműhely kell
Konieczny montaż przez warsztat specjalistyczny
Να τοποθεί από συνεργείο
Необходима подгонка специалистом



- (GB) See Installation instructions
- (D) Siehe Installationsanleitung
- (E) Consulte las Instrucciones de instalación
- (F) Voir les instructions d'installation
- (I) Vedere le istruzioni di installazione
- (P) Veja as instruções de instalação
- (NL) Zie installatie-instructies
- (DK) Se monteringsvejledning
- (N) Se installeringsveiledningen
- (S) Se installationssanvisningarna
- (SF) Katso asennusohjeet
- (CZ) Viz instalační pokyny
- (H) Lásd a telepítési utasításokat
- (PL) Patrz instrukcja instalacji
- (GR) Βλέπε οδηγίες εγκατάστασης
- (RU) См. инструкции по установке



- (GB) See workshop manual
- (D) Siehe werkstatthandbuch
- (E) Ver manual de taller
- (F) Voir manuel d'atelier
- (I) Vedere manuale officina
- (P) Cf. o manual da oficina
- (NL) Zie werkplaatshandboek
- (DK) Se værkstedshåndbog
- (N) Se verkstedshåndboka
- (S) Se verkstadshandboken
- (SF) Katso korjaamon käsikirjasta
- (CZ) Viz dílenskou příručku
- (H) Lásd a műhely-kézikönyvből
- (PL) Patrz podręcznik warsztatowy
- (GR) λέπε Εγχειρίδιο Συνεργείου
- (RU) Смотрите руководство для мастерской



- (GB) Throw away
- (D) Entsorgen
- (E) Tratamiento de residuos
- (F) Rebuter
- (I) Smaltire
- (P) Eliminar
- (NL) Weggoaien
- (DK) Affald
- (N) Avskaffe
- (S) Ta hand om avfallet
- (SF) Hävittää
- (CZ) Vyhodit
- (H) Távolítsa el
- (PL) Usunąć jako odpad
- (GR) Απόσυρση
- (RU) Выбросите



- (GB) Warning
- (D) Achtung
- (E) Atención
- (F) Attention
- (I) Attenzione
- (P) Atenção
- (NL) Let op
- (DK) Bemærk
- (N) Pass på
- (S) Varning
- (SF) Huomio
- (CZ) Pozor
- (H) Figyelem
- (PL) Uwaga
- (GR) Προσοχή
- (RU) Осторожно



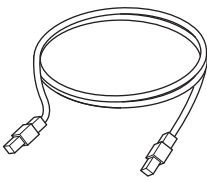
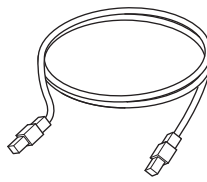
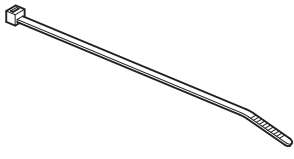

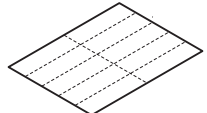

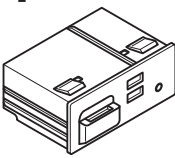

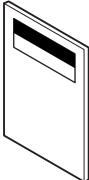
- (GB) Movement arrow
- (D) Bewegungspfeil
- (E) Flecha de movimiento
- (F) Flèche de mouvement
- (I) Freccia di movimento
- (P) Flexa de movimento
- (NL) Richtingspijl
- (DK) Bevægelsespil
- (N) Bevegelsespil
- (S) Rörelsepil
- (SF) Liikesuuntanuoli
- (CZ) Šipka pohybu
- (H) Mozgásirányjelző nyíl
- (PL) Strzałka kierunku ruchu
- (GR) Βέλος κίνησης
- (RU) Стрелка движения

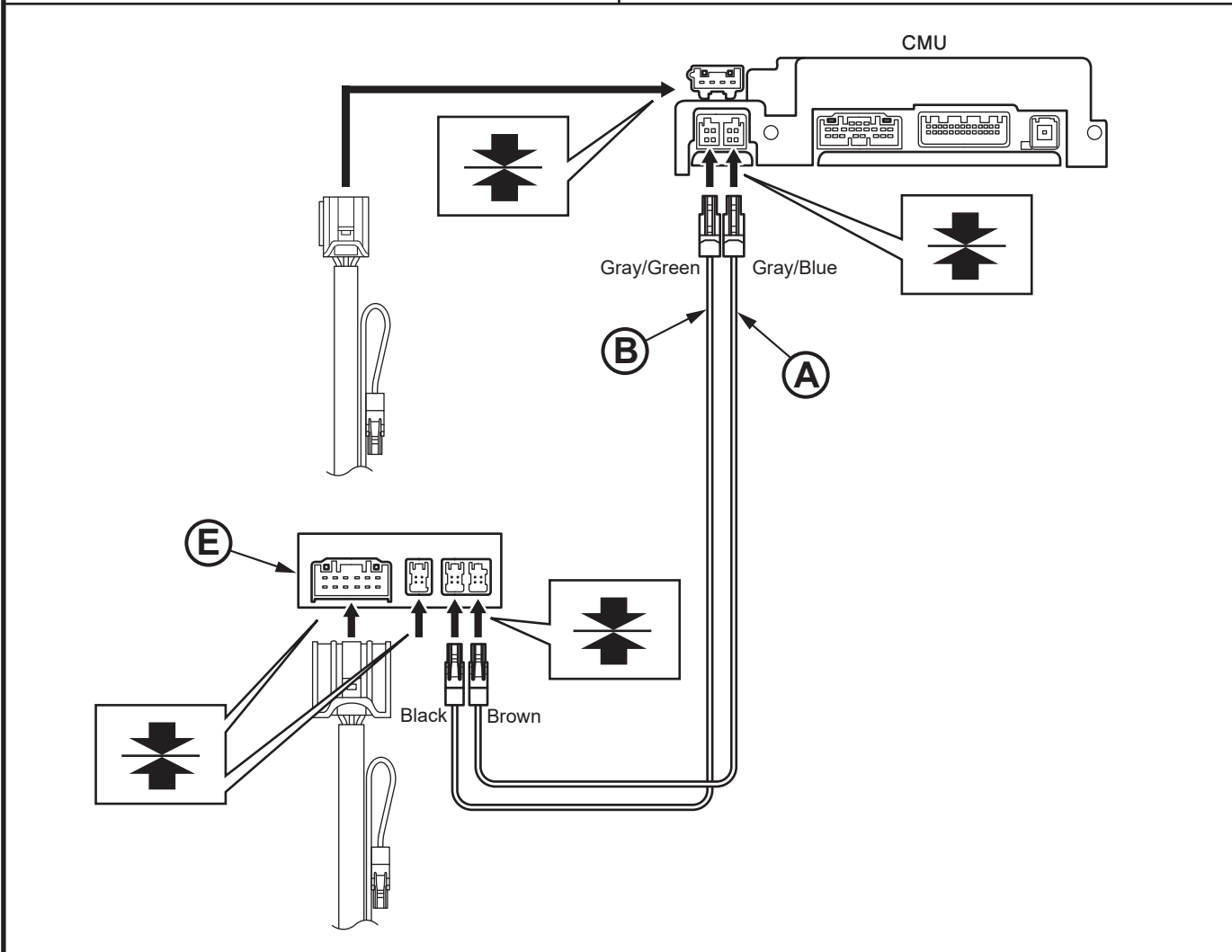


- (GB) Connect
- (D) Verbinden
- (E) Conectar
- (F) Raccorder
- (I) Collegare
- (P) Ligar
- (NL) Aansluiten
- (DK) Kobles
- (N) Tilkopling
- (S) Anslut
- (SF) Yhdystä
- (CZ) Spojit
- (H) Kapcsolja össze
- (PL) Połączyć
- (GR) Σύνδεση
- (RU) Соедините



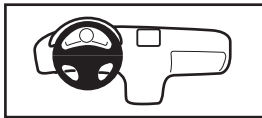
- (GB) Position arrow
- (D) Positionspfeil
- (E) Flecha de posición
- (F) Flèche de position
- (I) Freccia di posizione
- (P) Flexa de posição
- (NL) Lokatie/Positie pijl
- (DK) Lokaliseringspil
- (N) Posisjonspil
- (S) Positionpil
- (SF) Paikannusnuoli
- (CZ) Šipka na pozici
- (H) Helyzetjelző nyíl
- (PL) Strzałka położenia
- (GR) Βέλος θέσης
- (RU) Стрелка расположения

<div style="border: 1px solid black; padding: 5px; margin-bottom: 5px;">A</div>  <p style="text-align: center;">USB cable : A2 (Gray/Blue-Brown) X 1</p>	<div style="border: 1px solid black; padding: 5px; margin-bottom: 5px;">B</div>  <p style="text-align: center;">USB cable : A1 (Gray/Green-Black) X 1</p>
<div style="border: 1px solid black; padding: 5px; margin-bottom: 5px;">C</div>  <p style="text-align: center;">Tie wrap (L=160mm) X 20</p>	<div style="border: 1px solid black; padding: 5px; margin-bottom: 5px;">D</div> <div style="text-align: center;">  Separate Purchase </div>  <p style="text-align: center;">Sponge tape 100 × 30mm 10 sheets (C830 V6 693) X 3</p>
<div style="border: 1px solid black; padding: 5px; margin-bottom: 5px;">E</div> <div style="text-align: center;">  Separate Purchase </div>  <p style="text-align: center;">HUB unit (TK78 66 9U0**) X 1</p>	<div style="border: 1px solid black; padding: 5px; margin-bottom: 5px;">F</div> <div style="text-align: center;">  Separate Purchase </div>  <p style="text-align: center;">Owner's manual X 1</p>



MAZDA2 (DJ1)	⇒Sheet 4	MAZDA CX-5 (KF)	⇒Sheet 47
MAZDA3 (BL)	⇒Sheet 12	MAZDA CX-9 (TB)	⇒Sheet 55
MAZDA6 (GJ/GH)	⇒Sheet 29	MAZDA MX-5 (ND)	⇒Sheet 65
MAZDA CX-3 (DJ1)	⇒Sheet 4		
MAZDA CX-5 (KE/GH)	⇒Sheet 39		

MAZDA2 (DJ1) / CX-3 (DJ1) [Sheet 4 to 7]

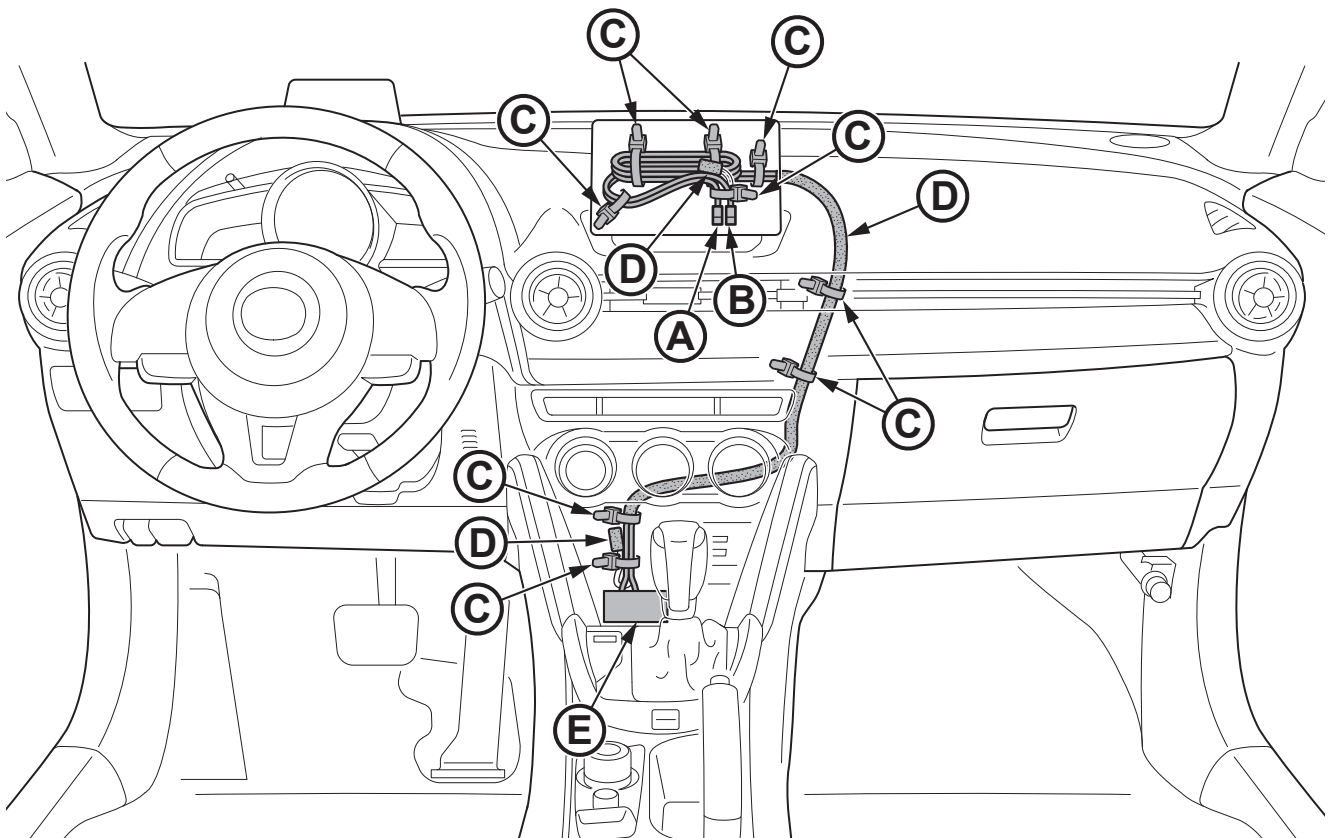


⚠ The firmware **MUST BE UPDATED FIRST before beginning the installation.**

If an older version of the CMU software is being used, the CarPlay/Android Auto-compatible USB hub may not be recognized.

The software must be v70.00.21 or later. If not be sure to update the software.

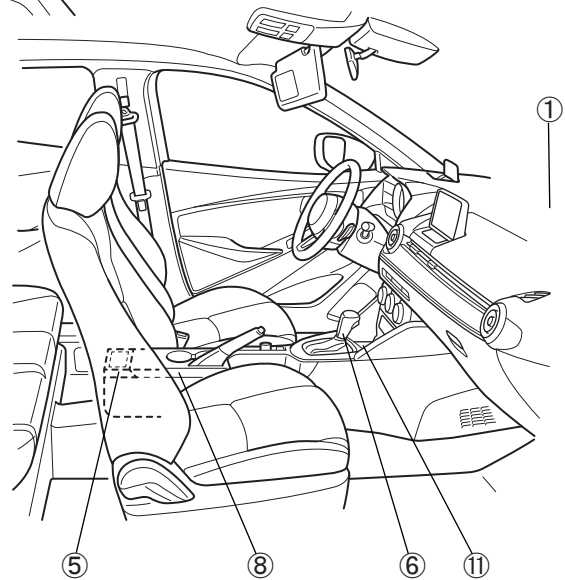
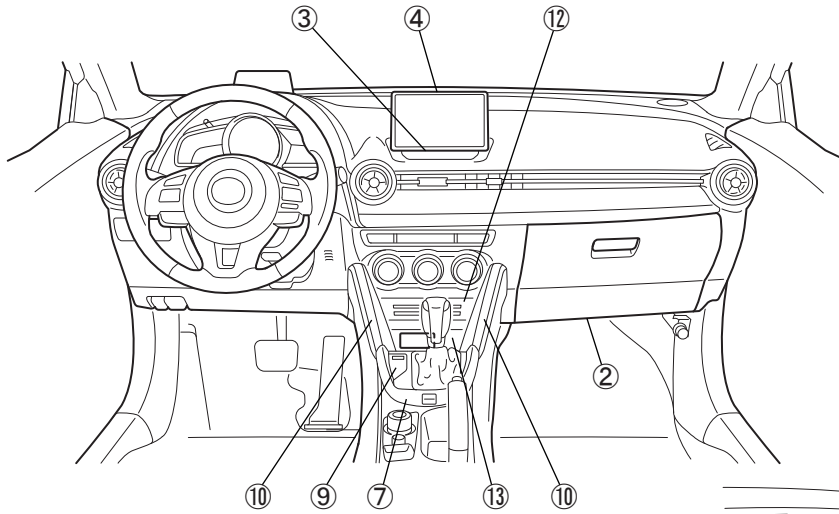
Once the CMU has been attached to the CarPlay/Android Auto-compatible USB hub, the software cannot be updated.



1 VEHICLE PART REMOVAL

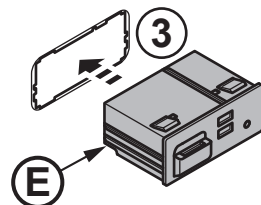
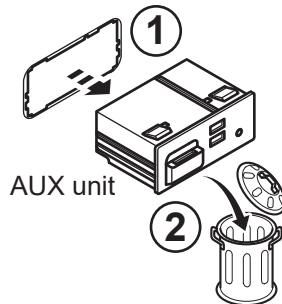
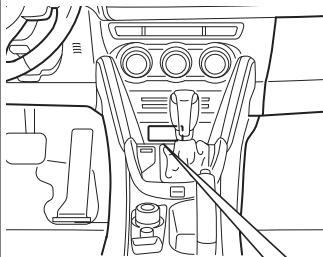


①~⑬

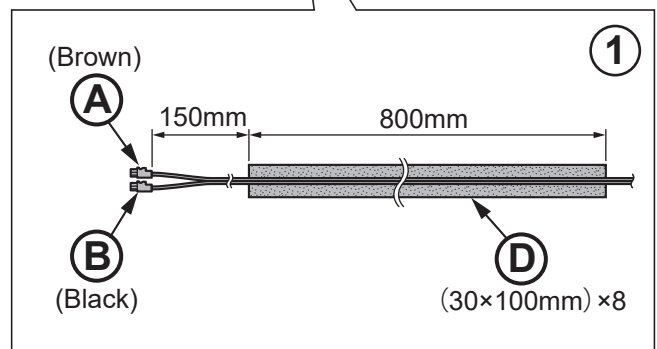
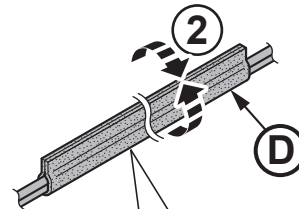


- ① Negative battery cable disconnection
- ② Glove compartment
- ③ Audio panel No.2 or Audio panel No.1
- ④ Center display
- ⑤ Center console tray
- ⑥ Shift lever knob (MTX) or Selector lever knob (ATX)
- ⑦ Shift bezel
- ⑧ Upper panel
- ⑨ Shift panel
- ⑩ Driver-side/passenger-side console side panel
- ⑪ Front console box
- ⑫ CD player or DVD/CD player
(Equipped vehicles only)
- ⑬ Front console

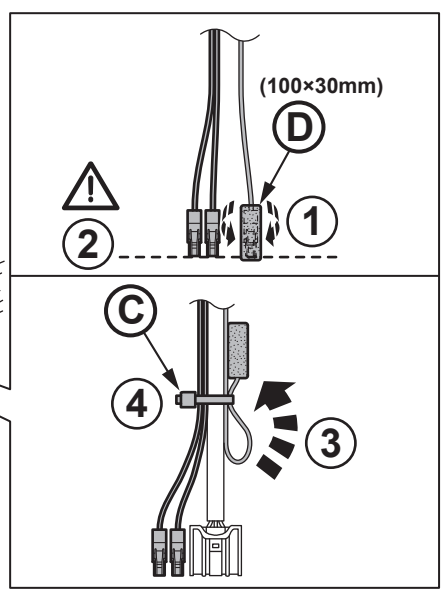
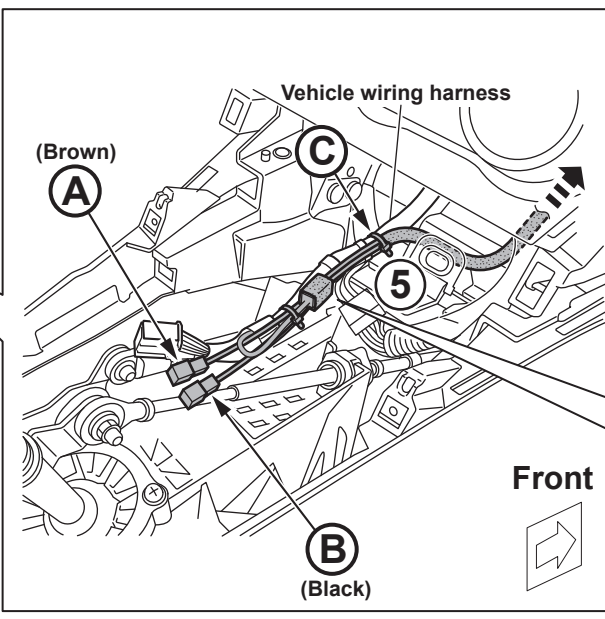
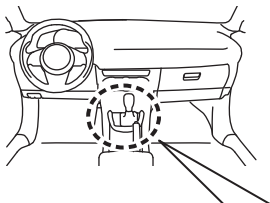
2



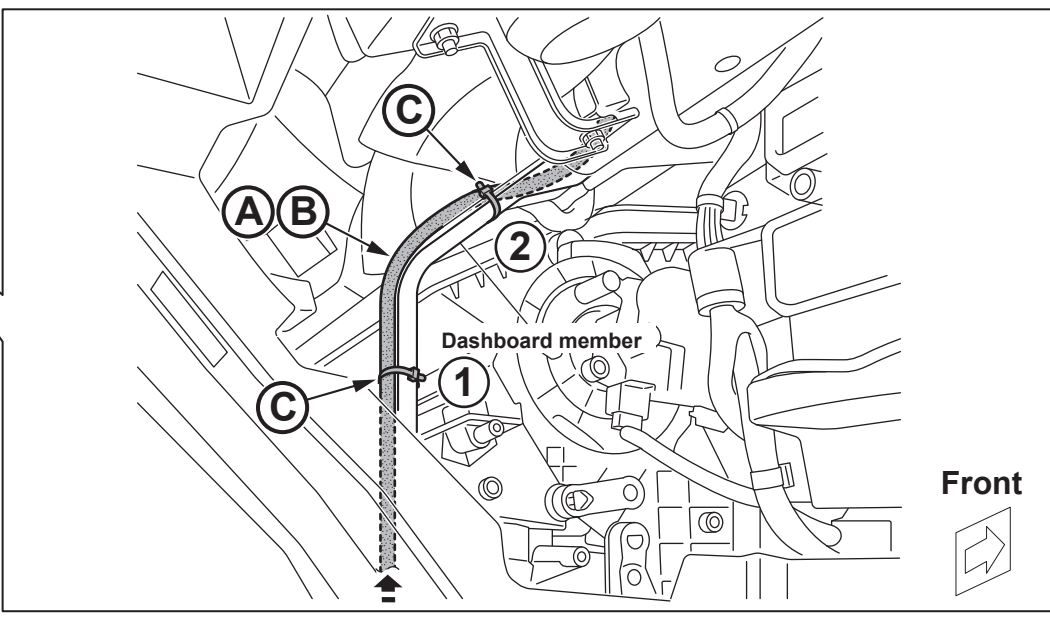
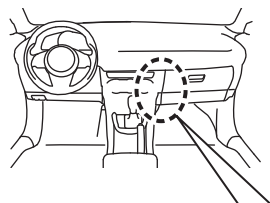
3



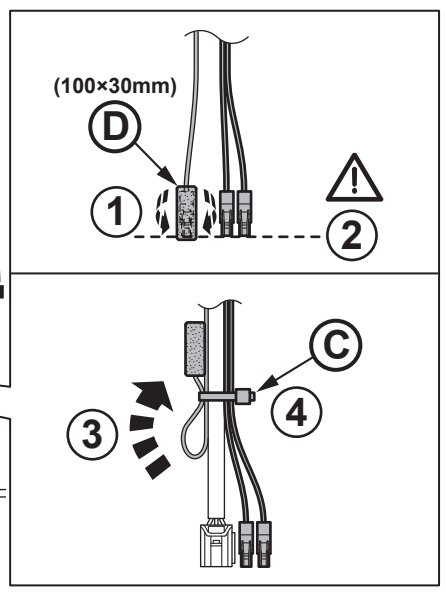
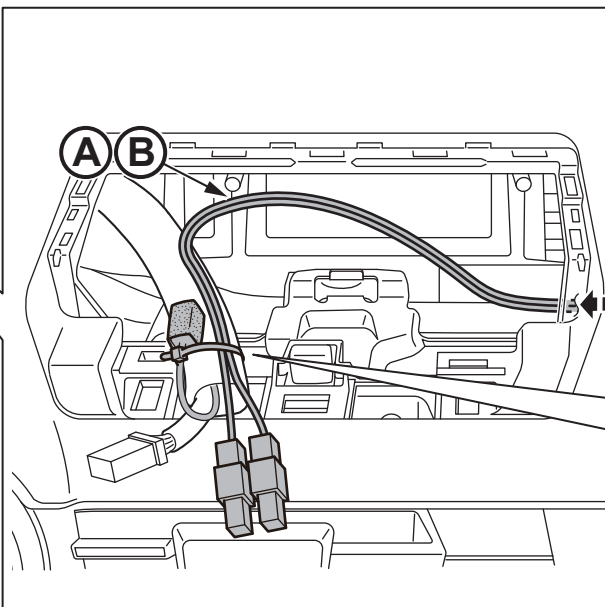
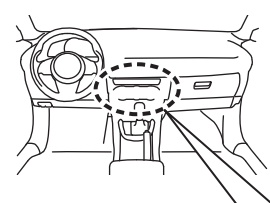
4



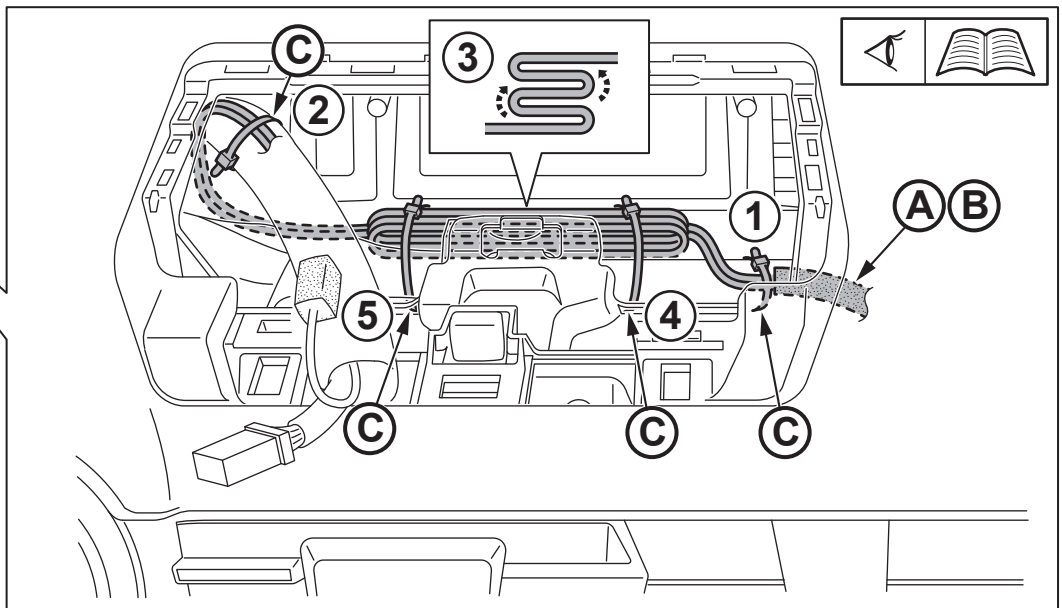
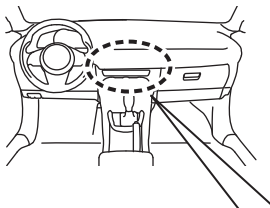
5



6



7



8

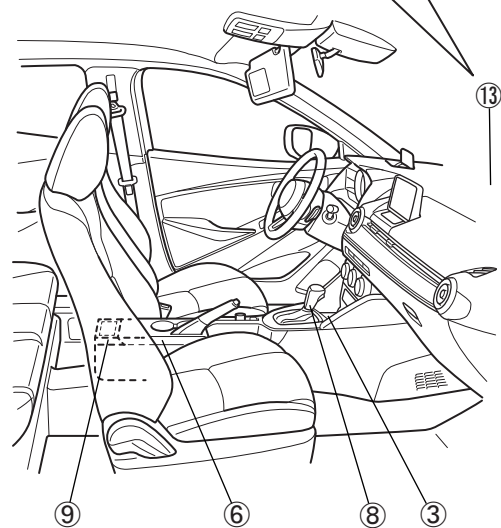
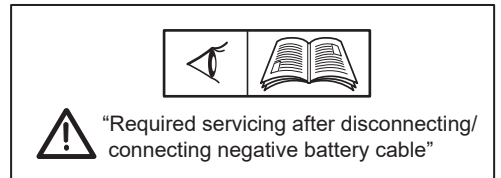
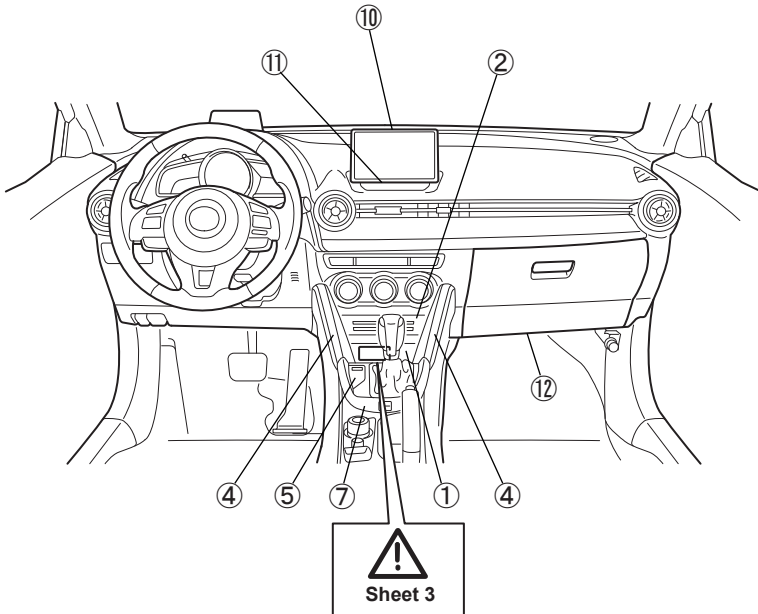
VEHICLE PART RE-INSTALLING



①~⑬



Sheet 3



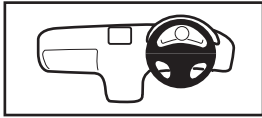
9

OPERATION CHECK



Common-P5
5. OPERATION CHECK

MAZDA2 (DJ1) / CX-3 (DJ1) [Sheet 8 to 11]

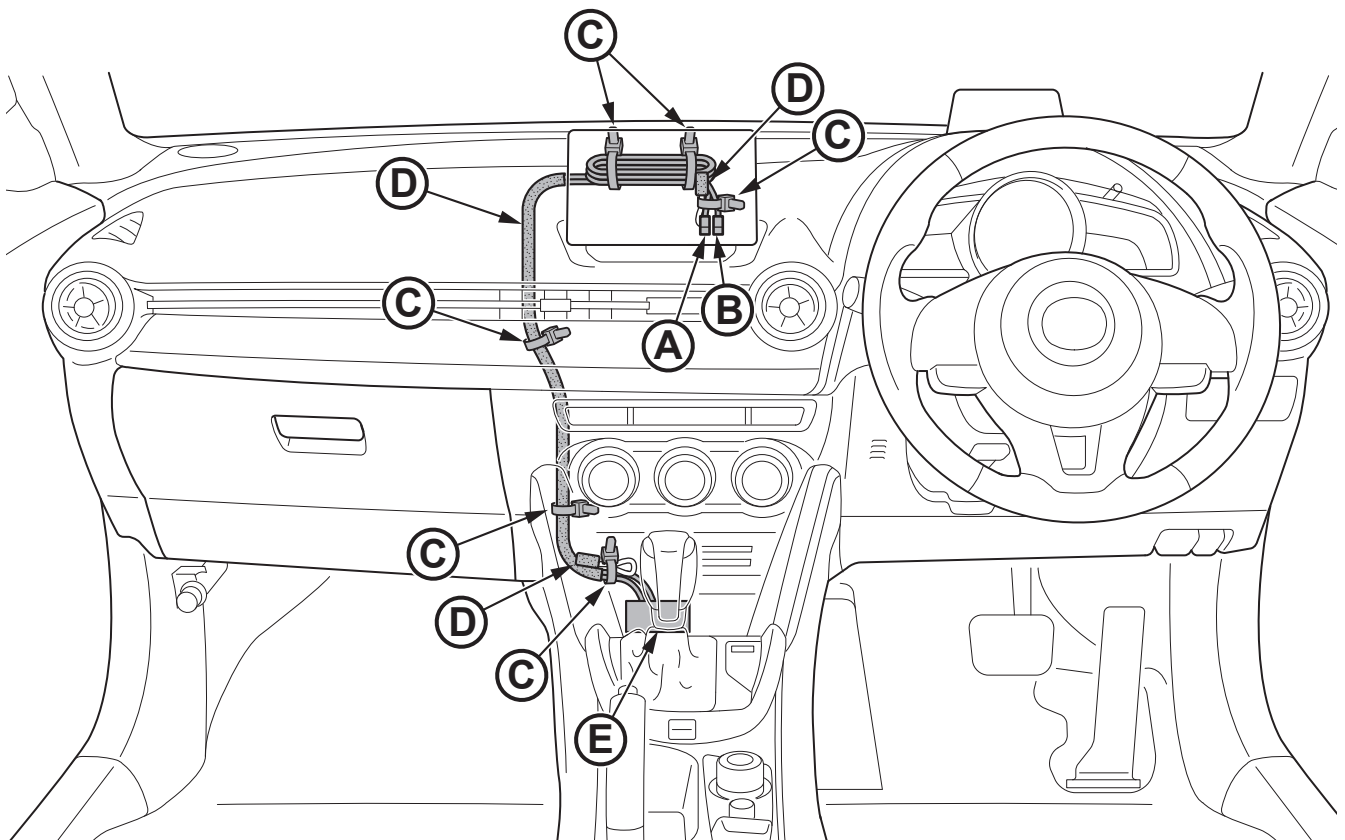


⚠ The firmware **MUST BE UPDATED FIRST before beginning the installation.**

If an older version of the CMU software is being used, the CarPlay/Android Auto-compatible USB hub may not be recognized.

The software must be v70.00.21 or later. If not be sure to update the software.

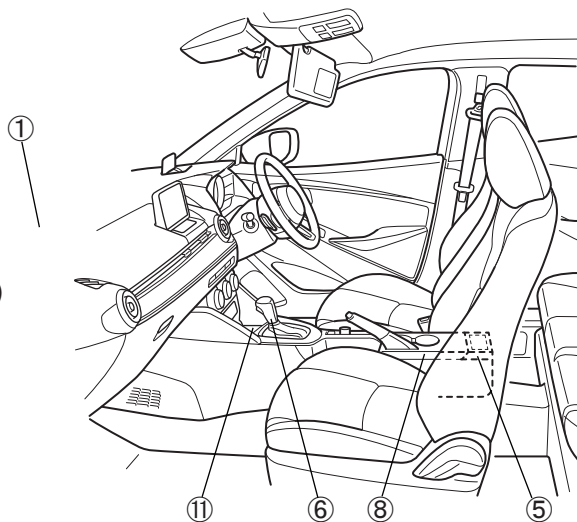
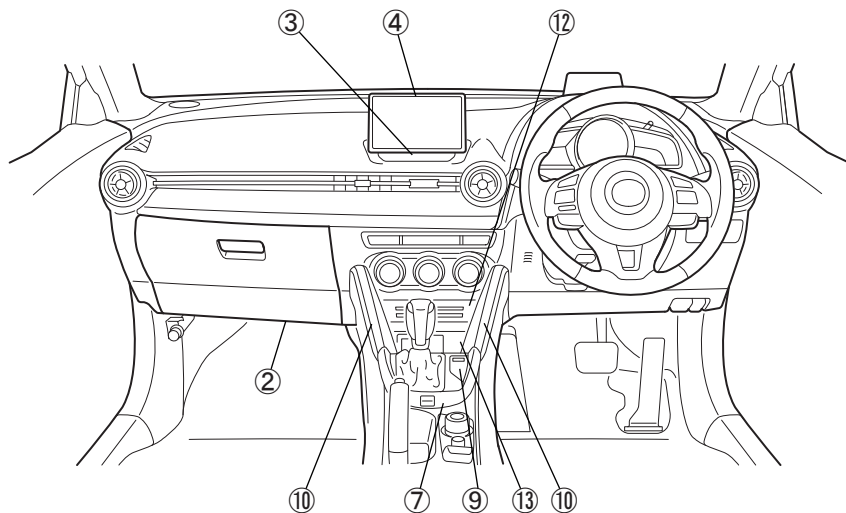
Once the CMU has been attached to the CarPlay/Android Auto-compatible USB hub, the software cannot be updated.



1 VEHICLE PART REMOVAL

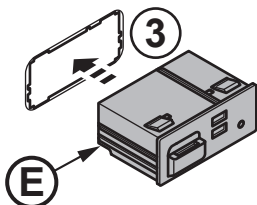
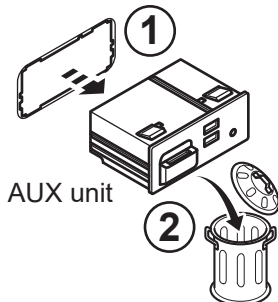
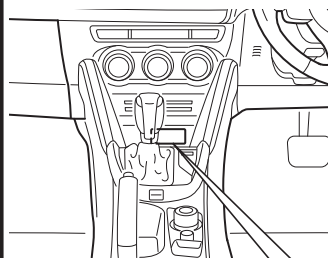


①~⑬

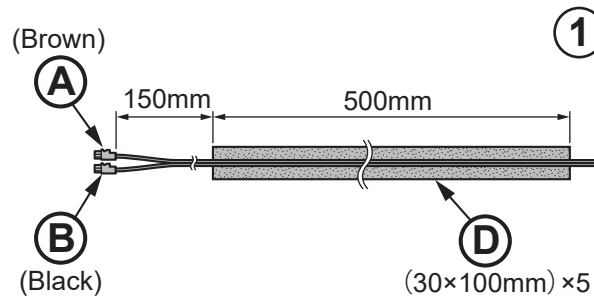
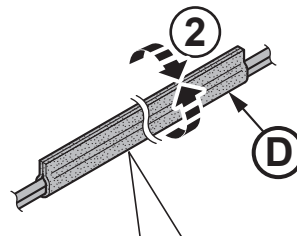


- ① Negative battery cable disconnection
- ② Glove compartment
- ③ Audio panel No.2 or Audio panel No.1
- ④ Center display
- ⑤ Center console tray
- ⑥ Shift lever knob (MTX) or Selector lever knob (ATX)
- ⑦ Shift bezel
- ⑧ Upper panel
- ⑨ Shift panel
- ⑩ Driver-side/passenger-side console side panel
- ⑪ Front console box
- ⑫ CD player or DVD/CD player
(Equipped vehicles only)
- ⑬ Front console

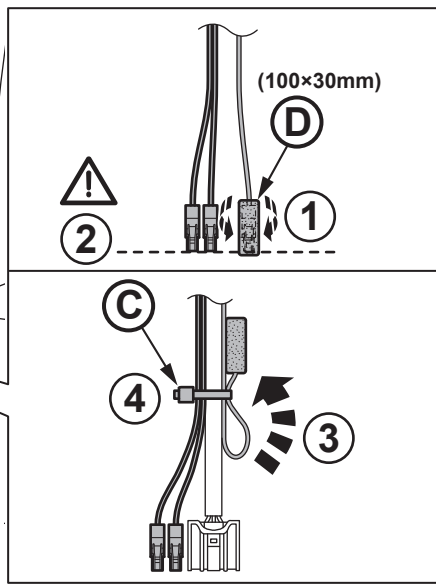
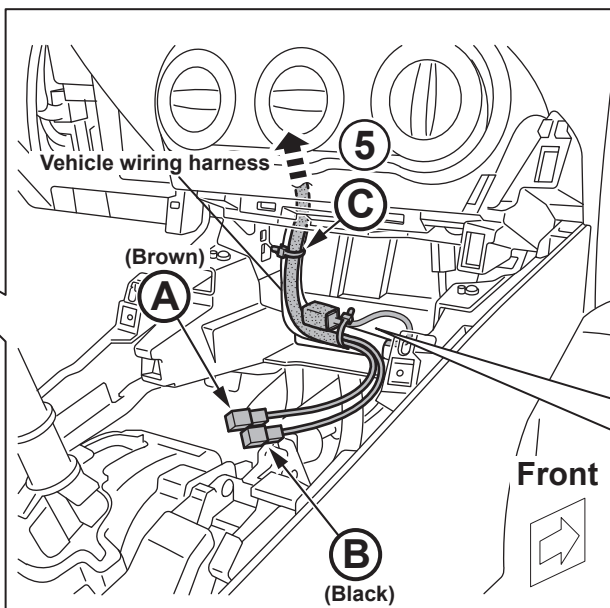
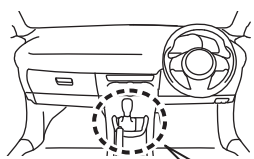
2



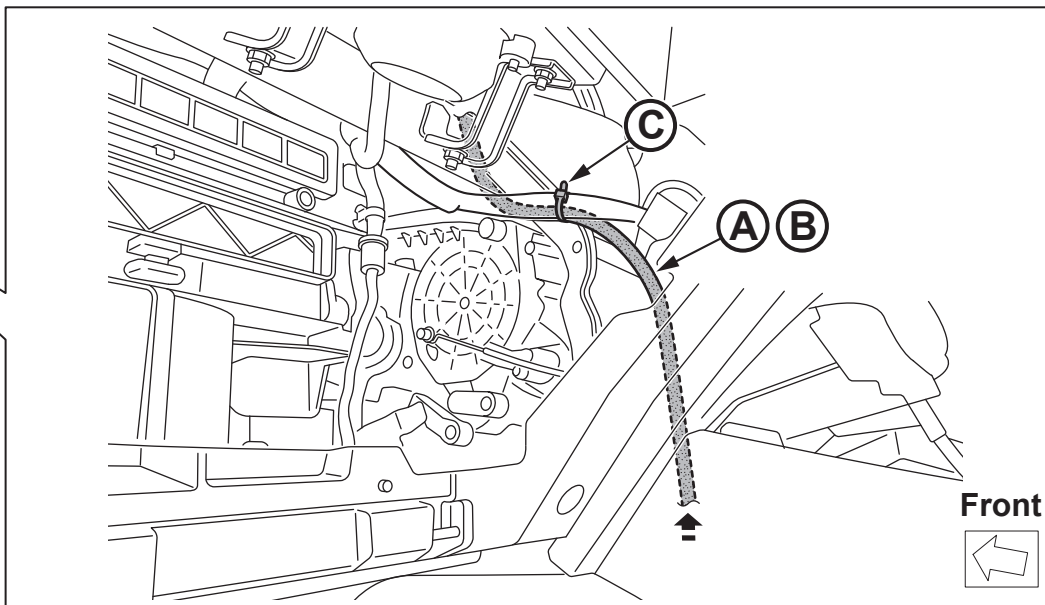
3



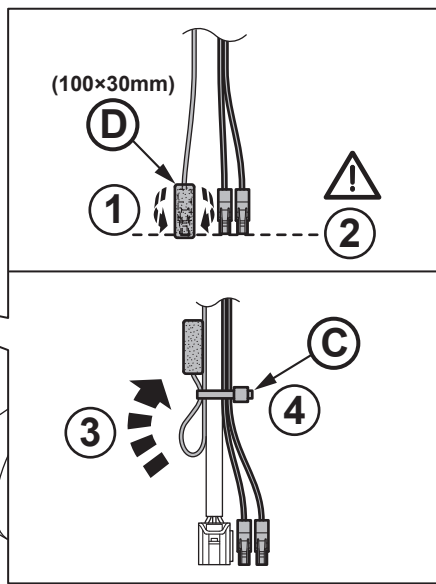
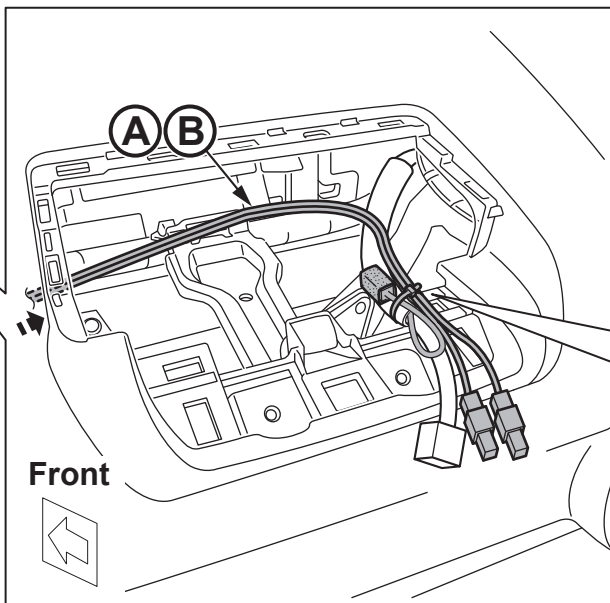
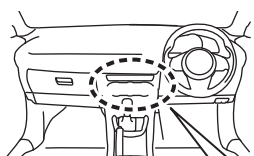
4



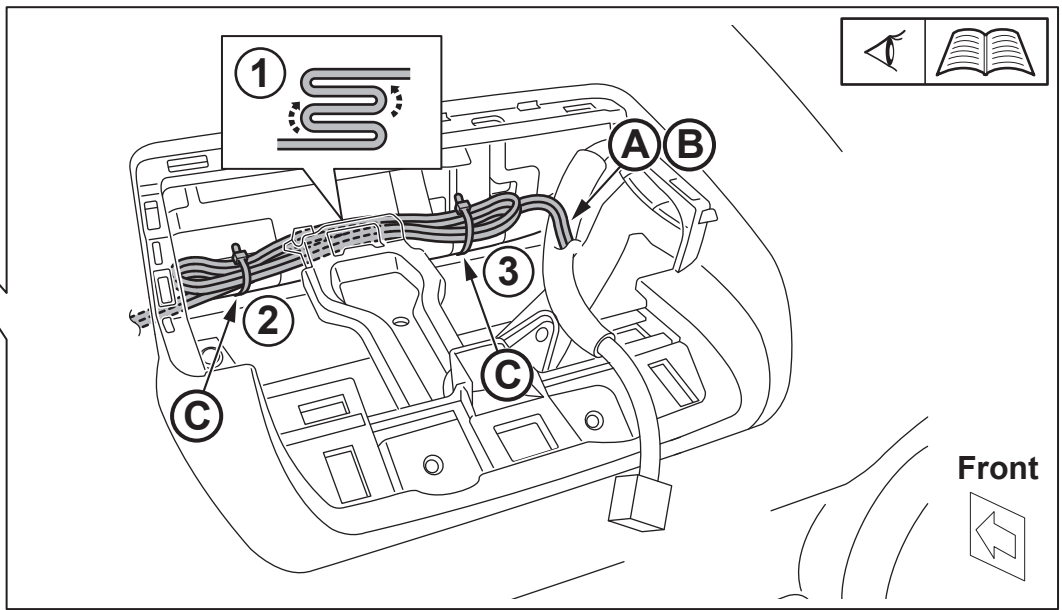
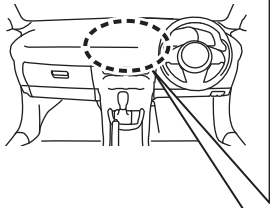
5



6



7

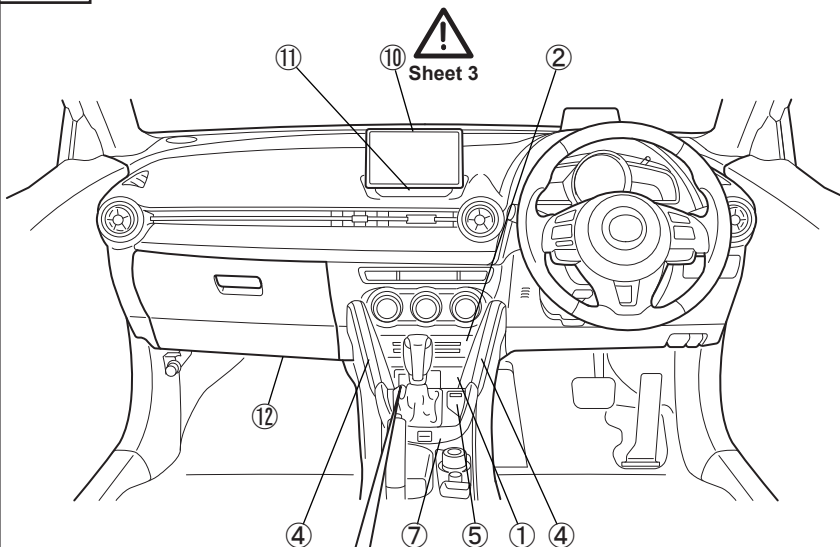


8

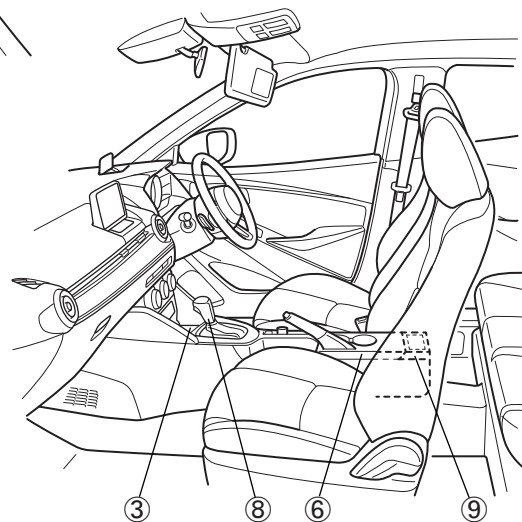
VEHICLE PART RE-INSTALLING



①~⑬



⚠ "Required servicing after disconnecting/
connecting negative battery cable"



9

OPERATION CHECK



Common-P5
5. OPERATION CHECK

MAZDA3 (BL) [Sheet 12 to 15]



Installed to front console for vehicles w/o CD/DVD.

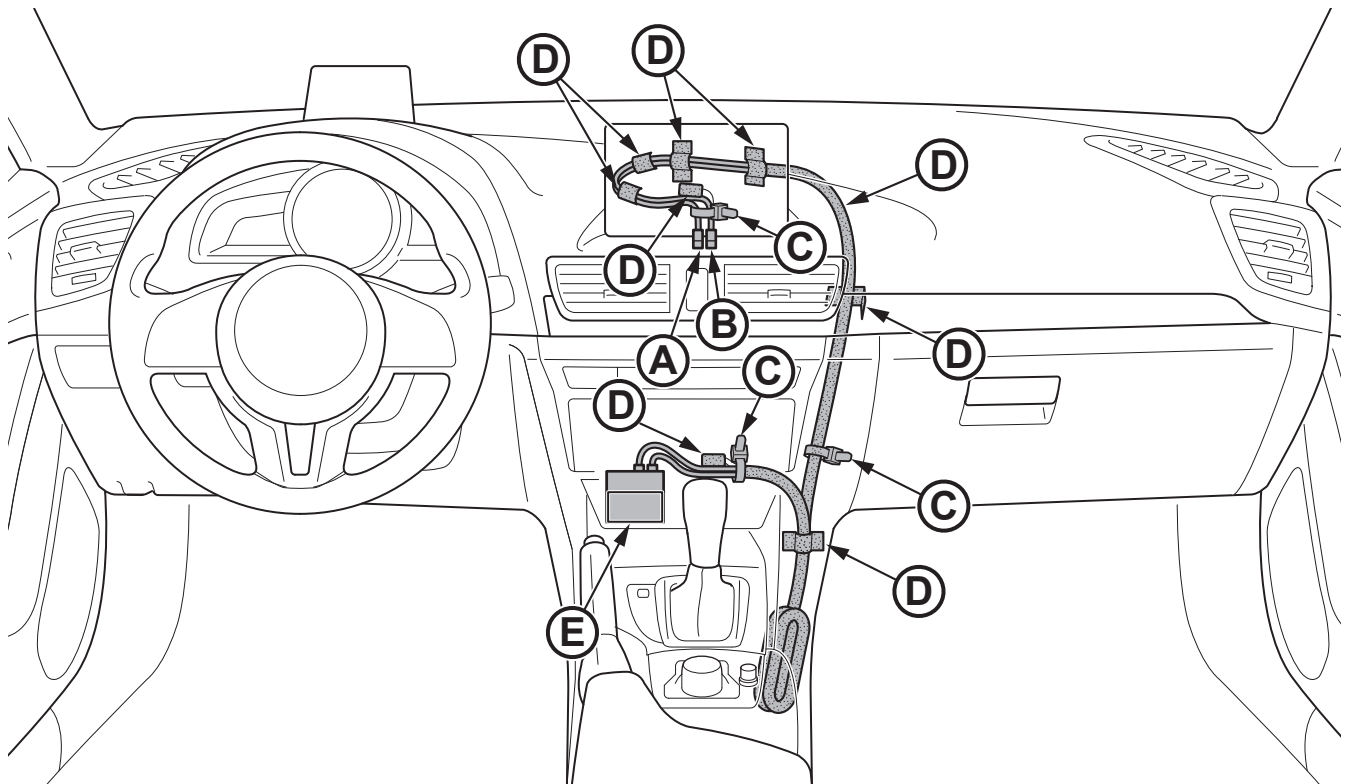


The firmware MUST BE UPDATED FIRST before beginning the installation.

If an older version of the CMU software is being used, the CarPlay/Android Auto-compatible USB hub may not be recognized.

The software must be v70.00.21 or later. If not be sure to update the software.

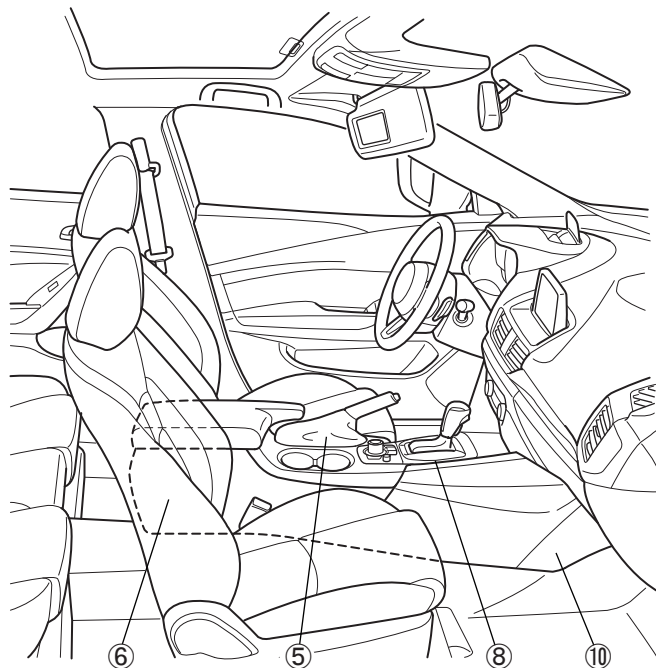
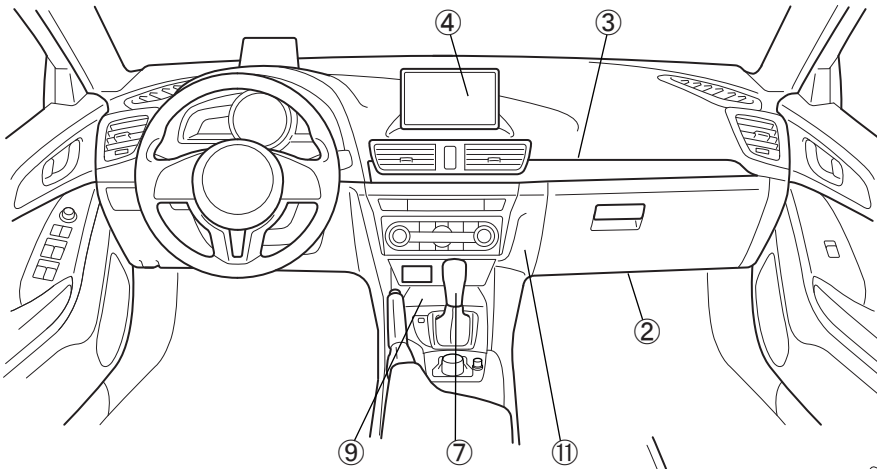
Once the CMU has been attached to the CarPlay/Android Auto-compatible USB hub, the software cannot be updated.



1 VEHICLE PART REMOVAL

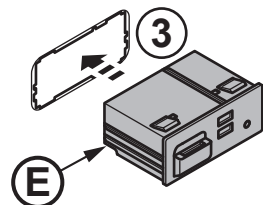
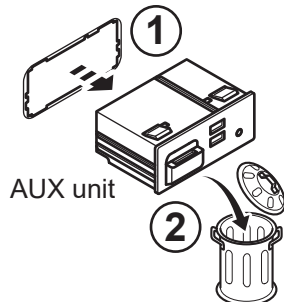
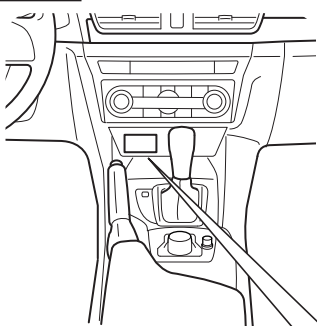


①~⑪

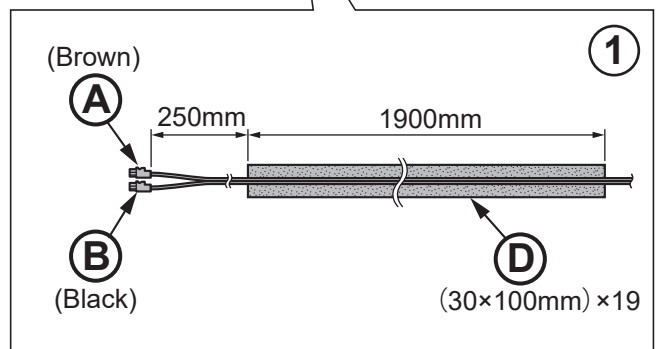
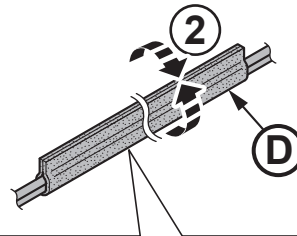


- ① Negative battery cable disconnection
- ② Glove compartment
- ③ Decoration panel
- ④ Center display
- ⑤ Upper panel
- ⑥ Rear console
- ⑦ Shift lever knob (MTX) or Selector lever knob (ATX)
- ⑧ Shift panel
- ⑨ Front console box
- ⑩ Driver/passenger-side side wall
- ⑪ Front console

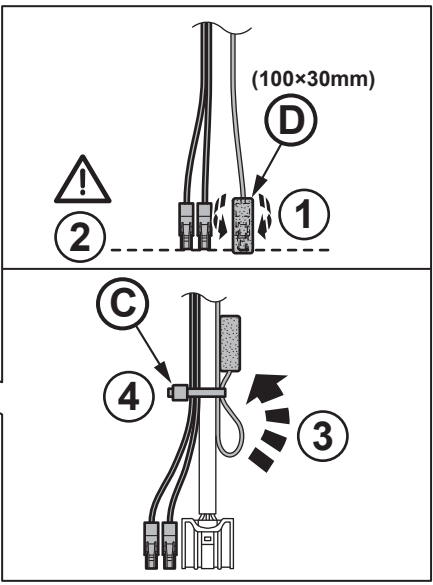
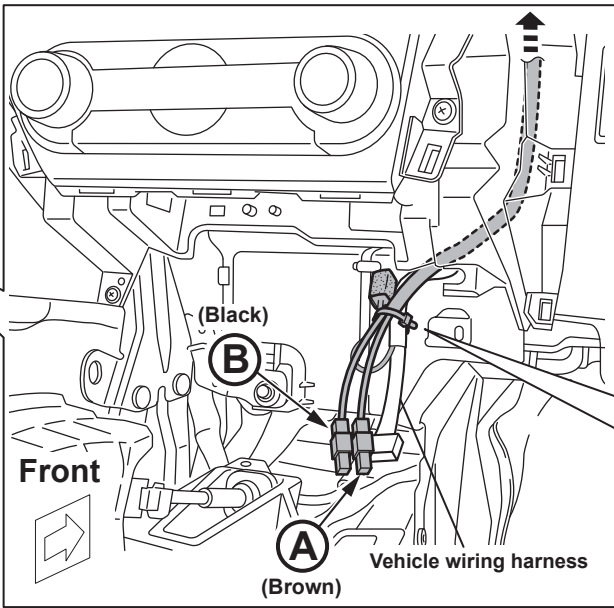
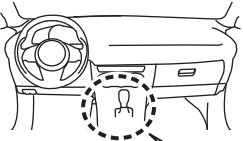
2



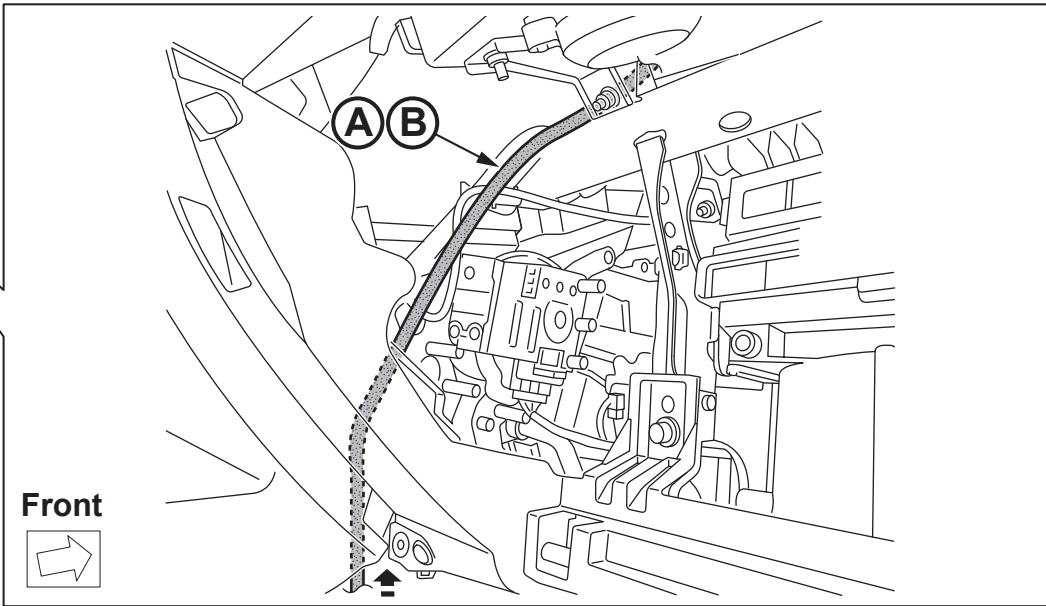
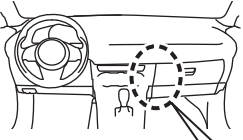
3



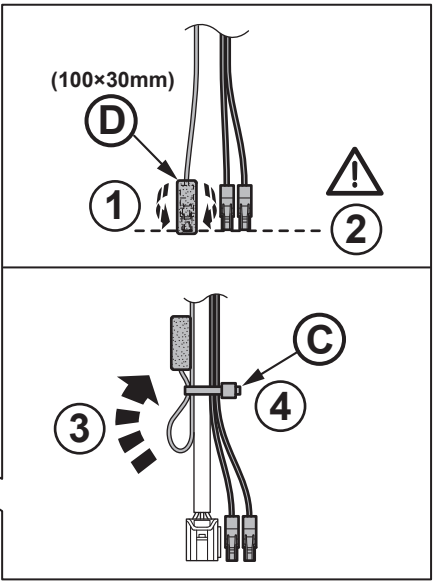
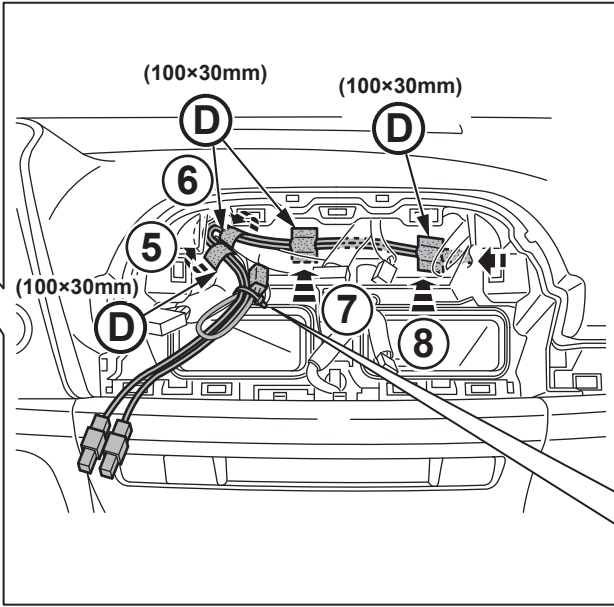
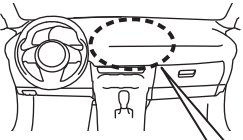
4



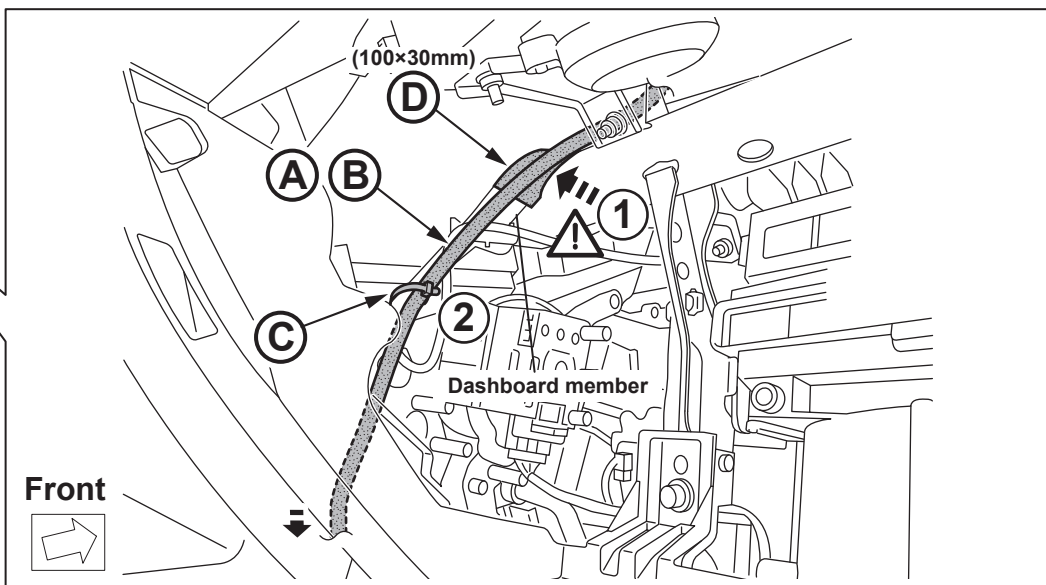
5



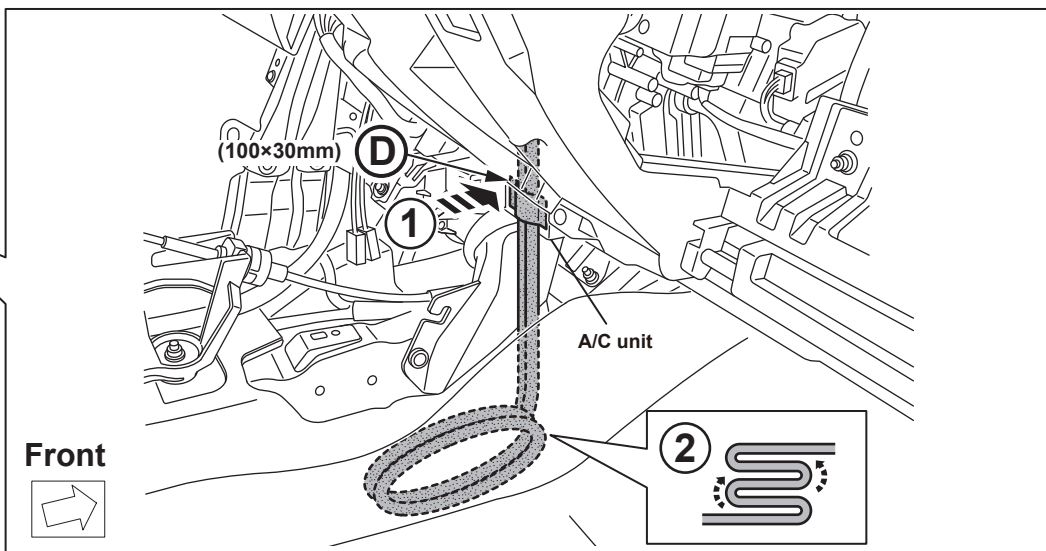
6



7



8

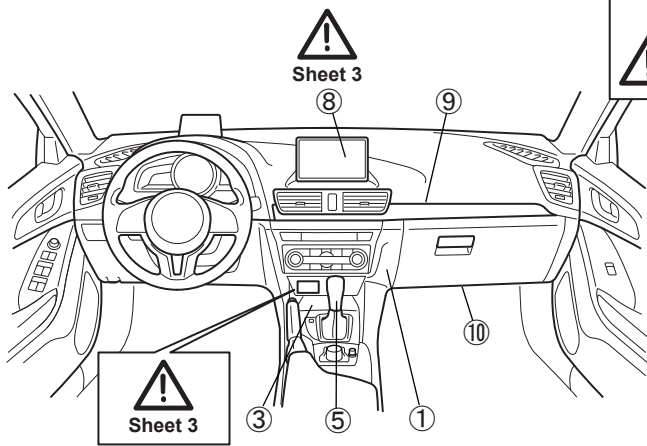


9

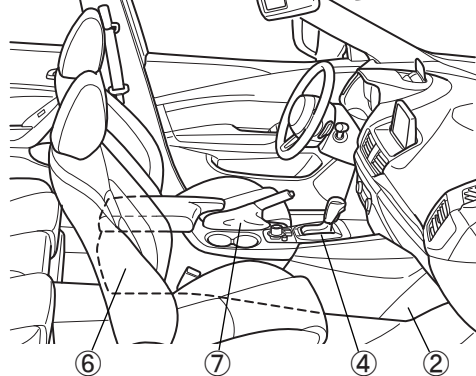
VEHICLE PART RE-INSTALLING



①~⑪



"Required servicing after disconnecting/ connecting negative battery cable"



10

OPERATION CHECK



Common-P5
5. OPERATION CHECK



MAZDA3 (BL) [Sheet 16 to 20]


Installed to rear console for vehicles w/ CD/DVD.

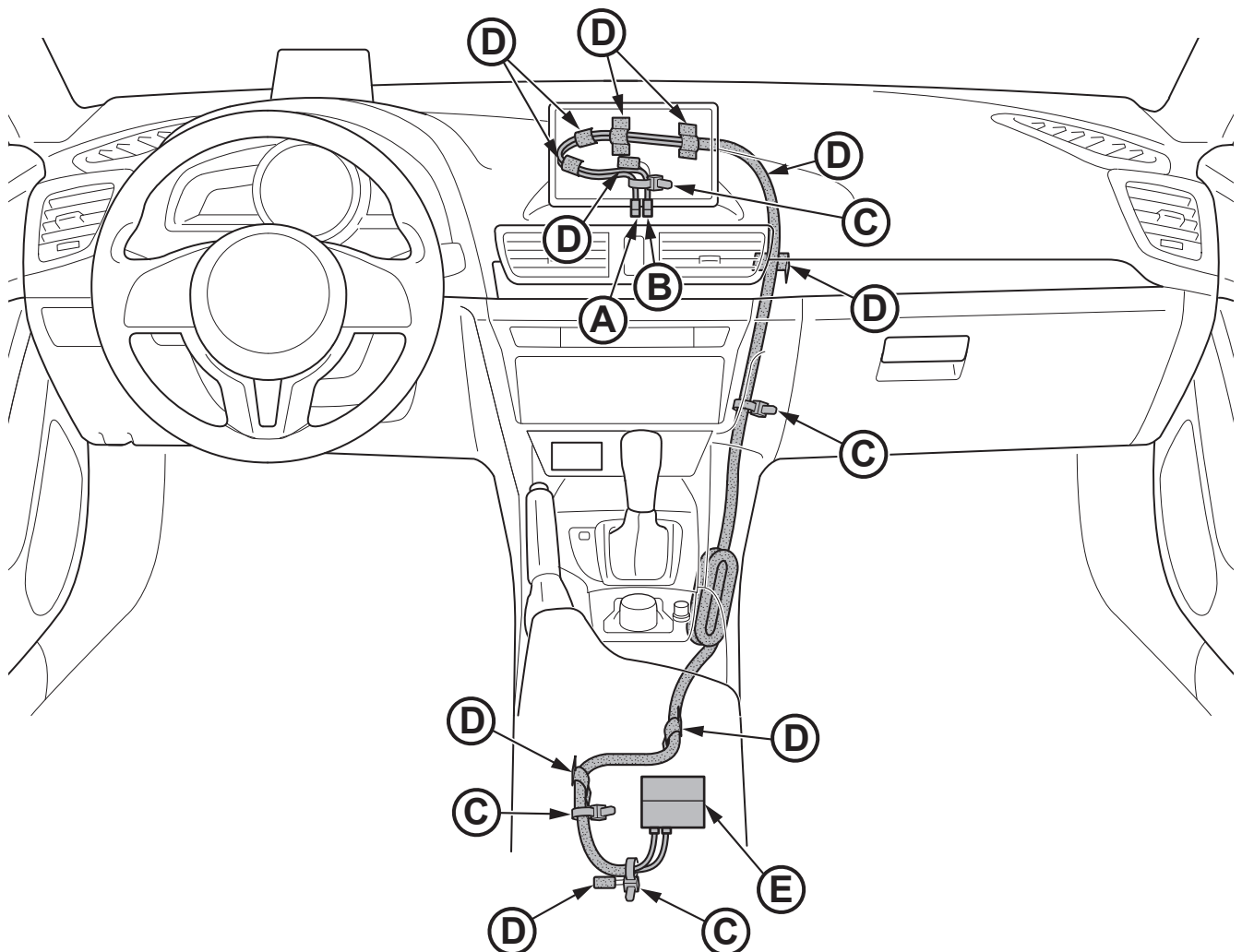


The firmware MUST BE UPDATED FIRST before beginning the installation.

If an older version of the CMU software is being used, the CarPlay/Android Auto-compatible USB hub may not be recognized.

The software must be v70.00.21 or later. If not be sure to update the software.

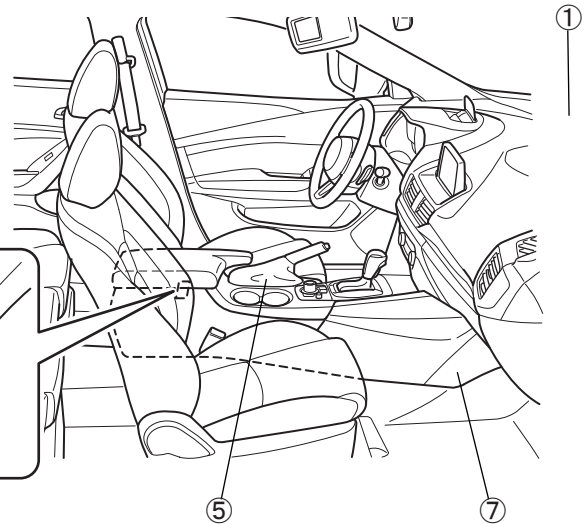
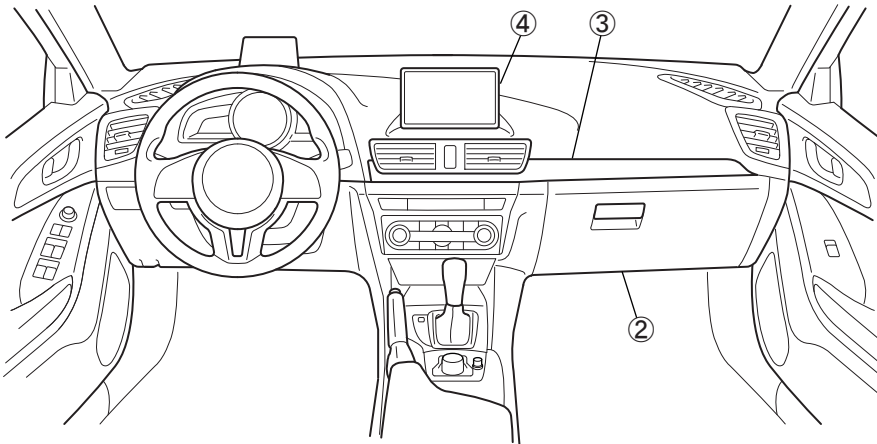
Once the CMU has been attached to the CarPlay/Android Auto-compatible USB hub, the software cannot be updated.



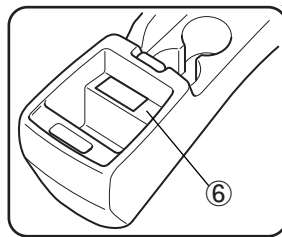
1 VEHICLE PART REMOVAL



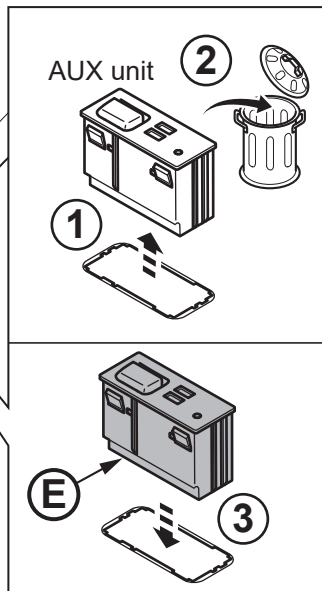
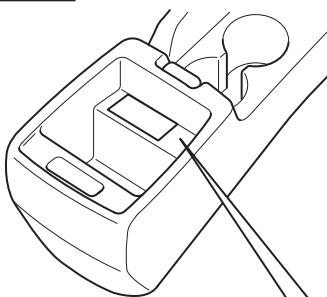
①~⑦



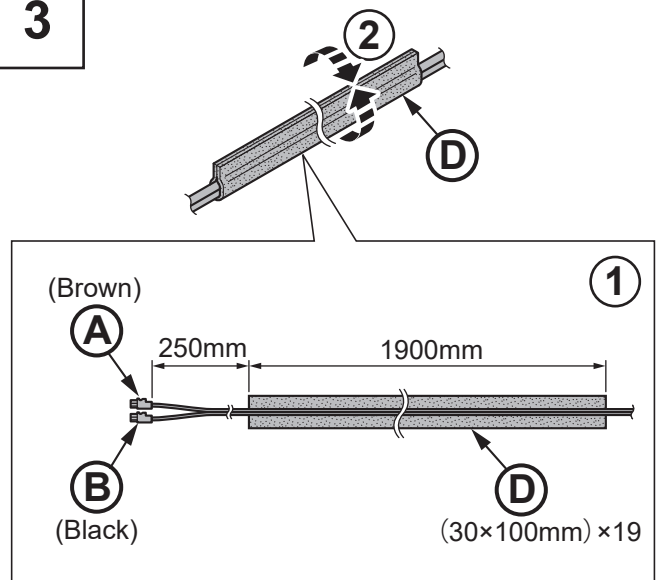
- ① Negative battery cable disconnection
- ② Glove compartment
- ③ Decoration panel
- ④ Center display
- ⑤ Upper panel
- ⑥ Console up
- ⑦ Passenger-side side wall



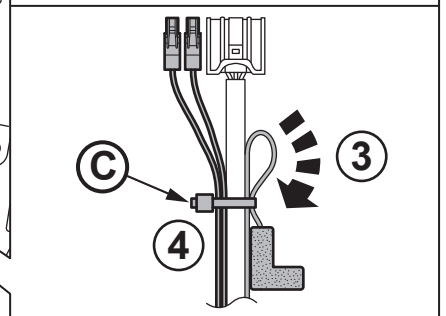
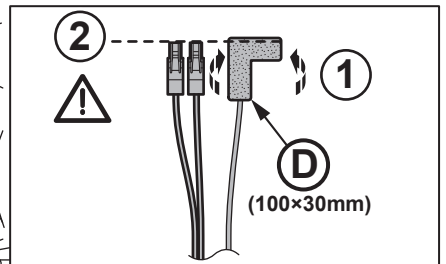
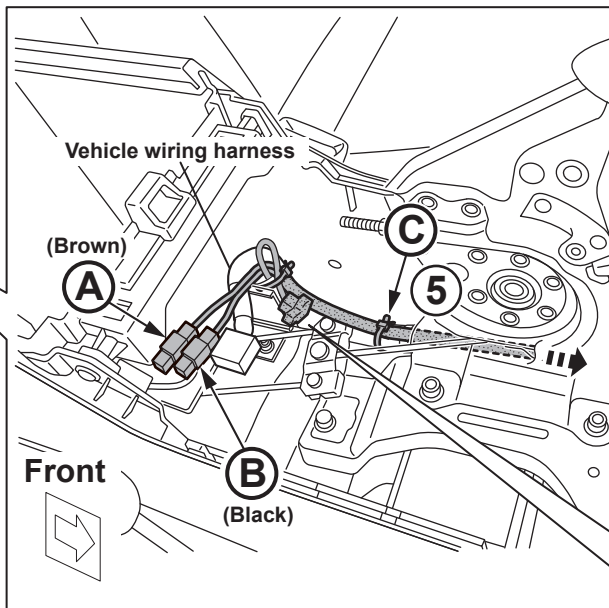
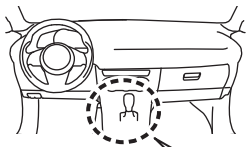
2



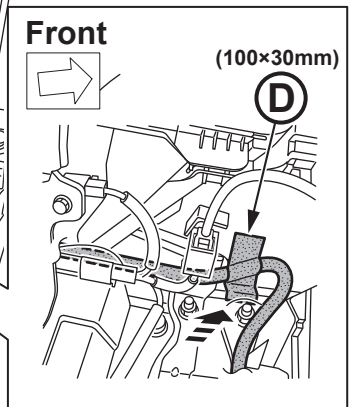
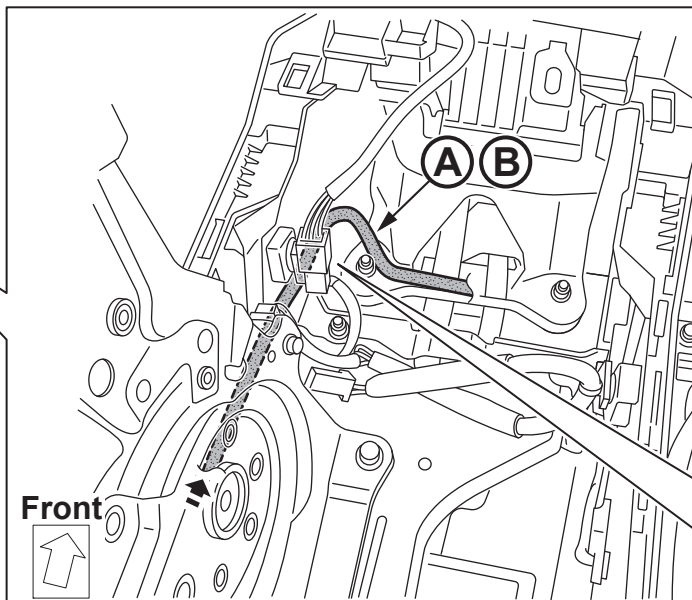
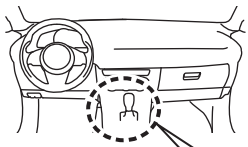
3



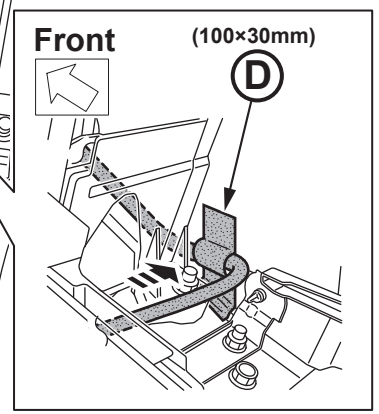
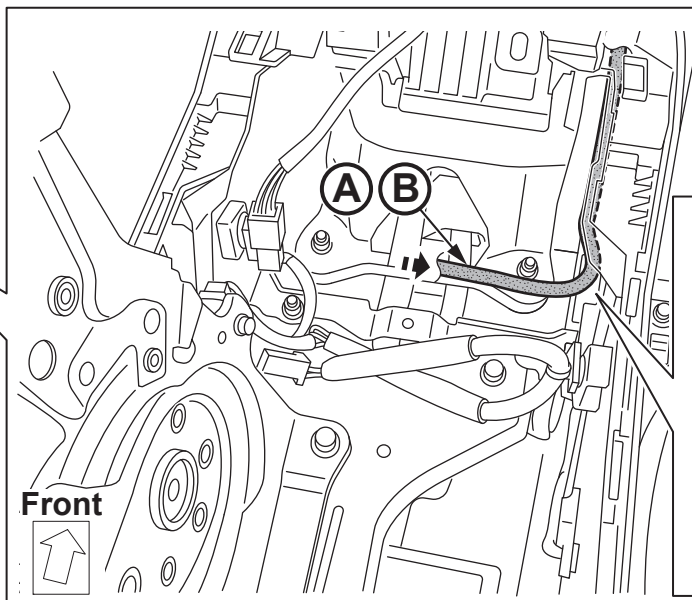
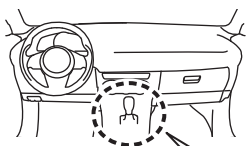
4



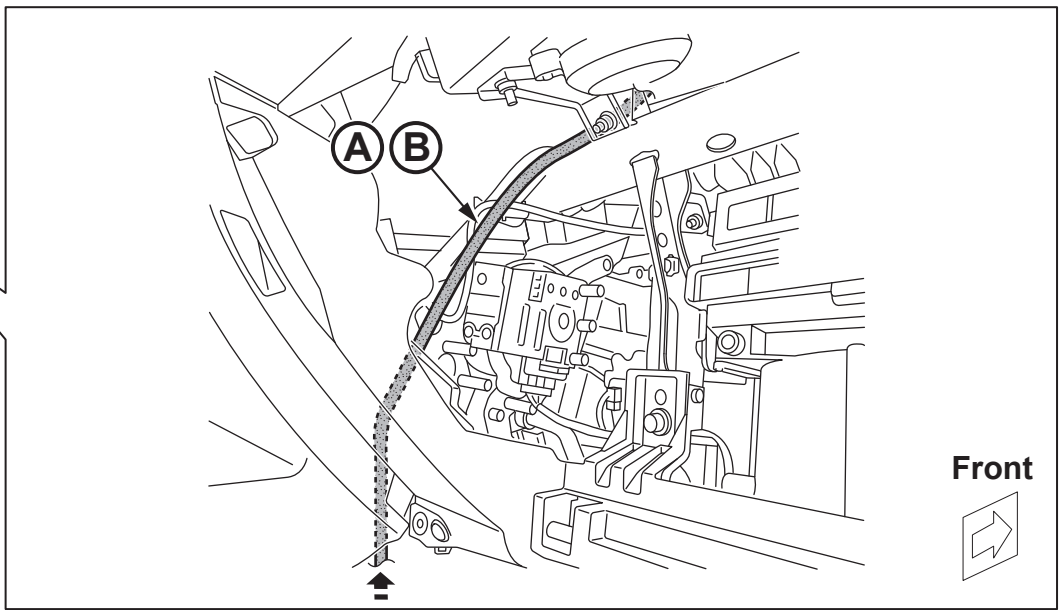
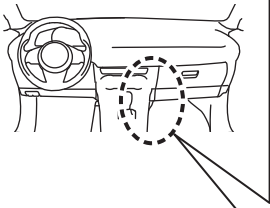
5



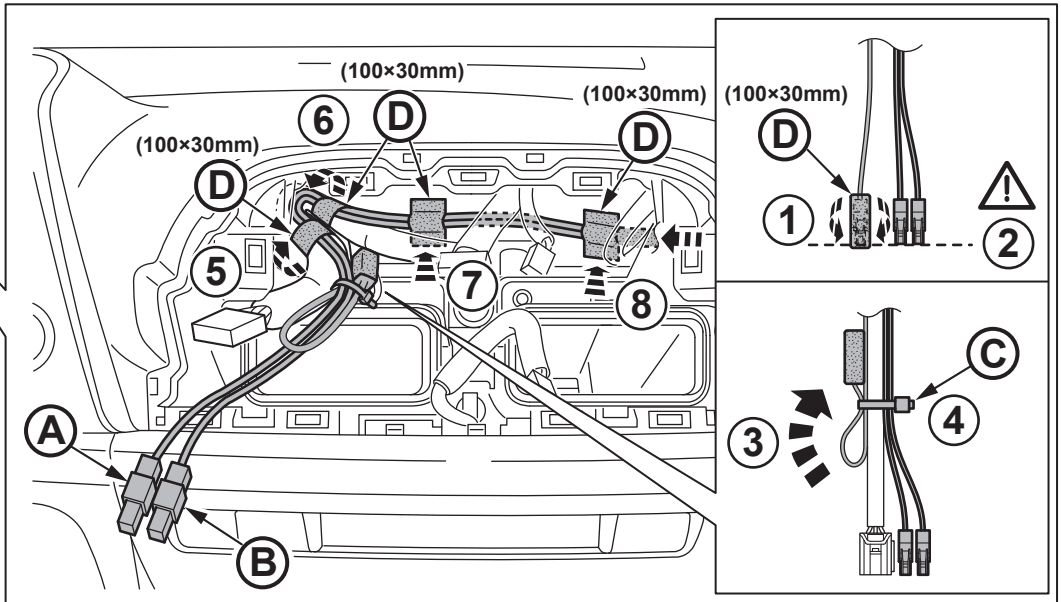
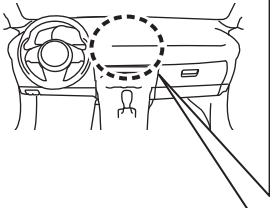
6



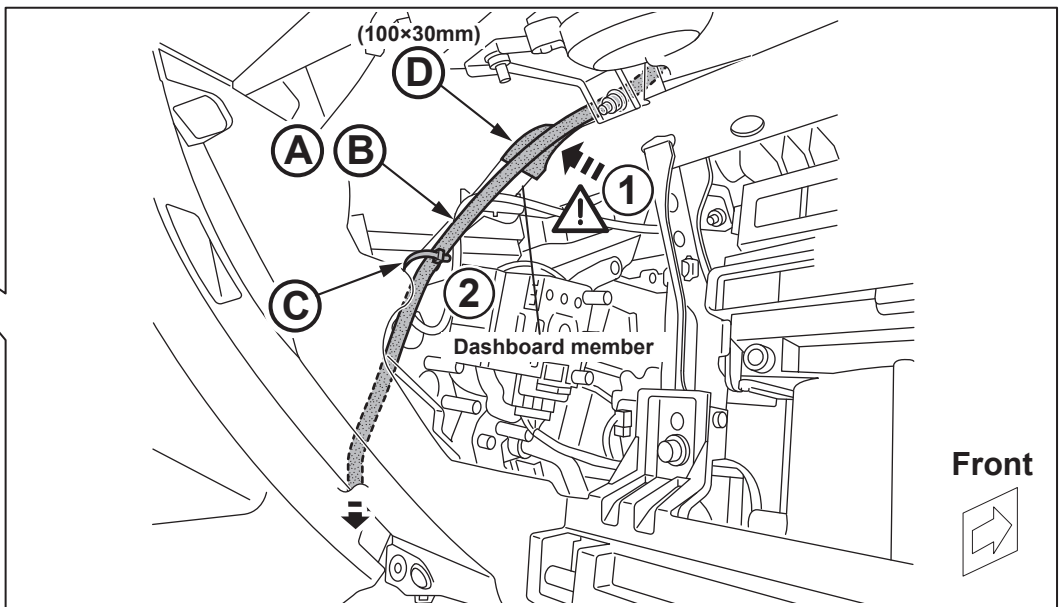
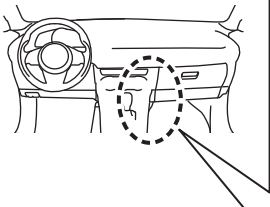
7



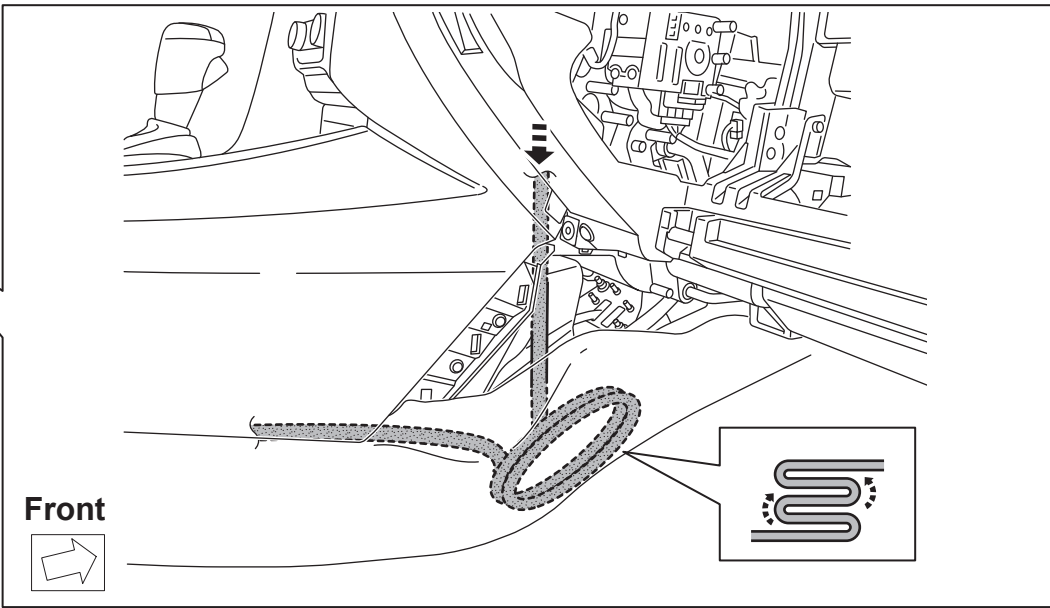
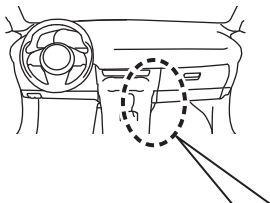
8



9



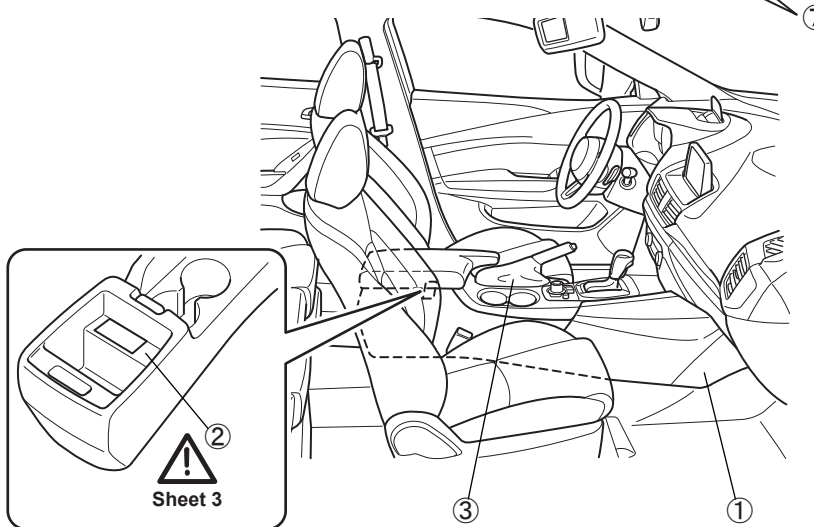
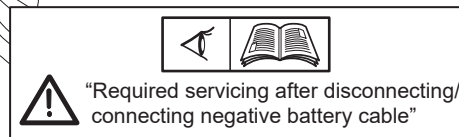
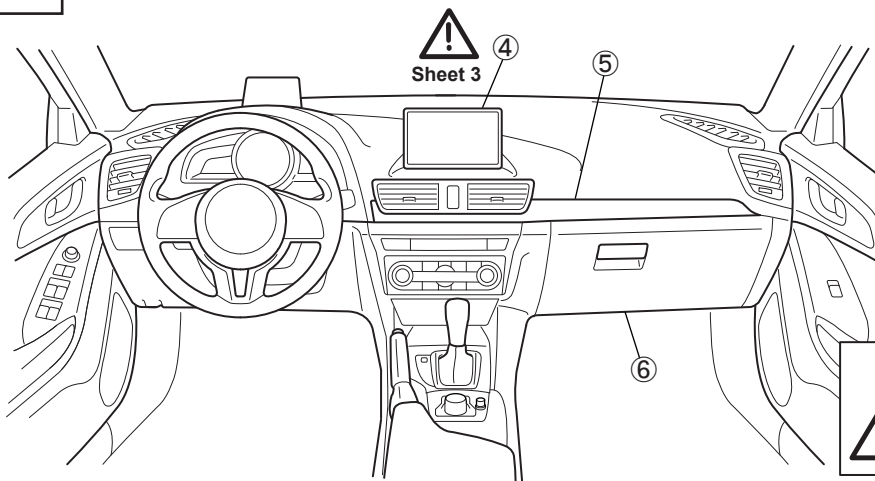
10



11 VEHICLE PART RE-INSTALLING



①~⑪



12 OPERATION CHECK



Common-P5
5. OPERATION CHECK



MAZDA3 (BL) [Sheet 21 to 24]


Installed to front console for vehicles w/o CD/DVD.

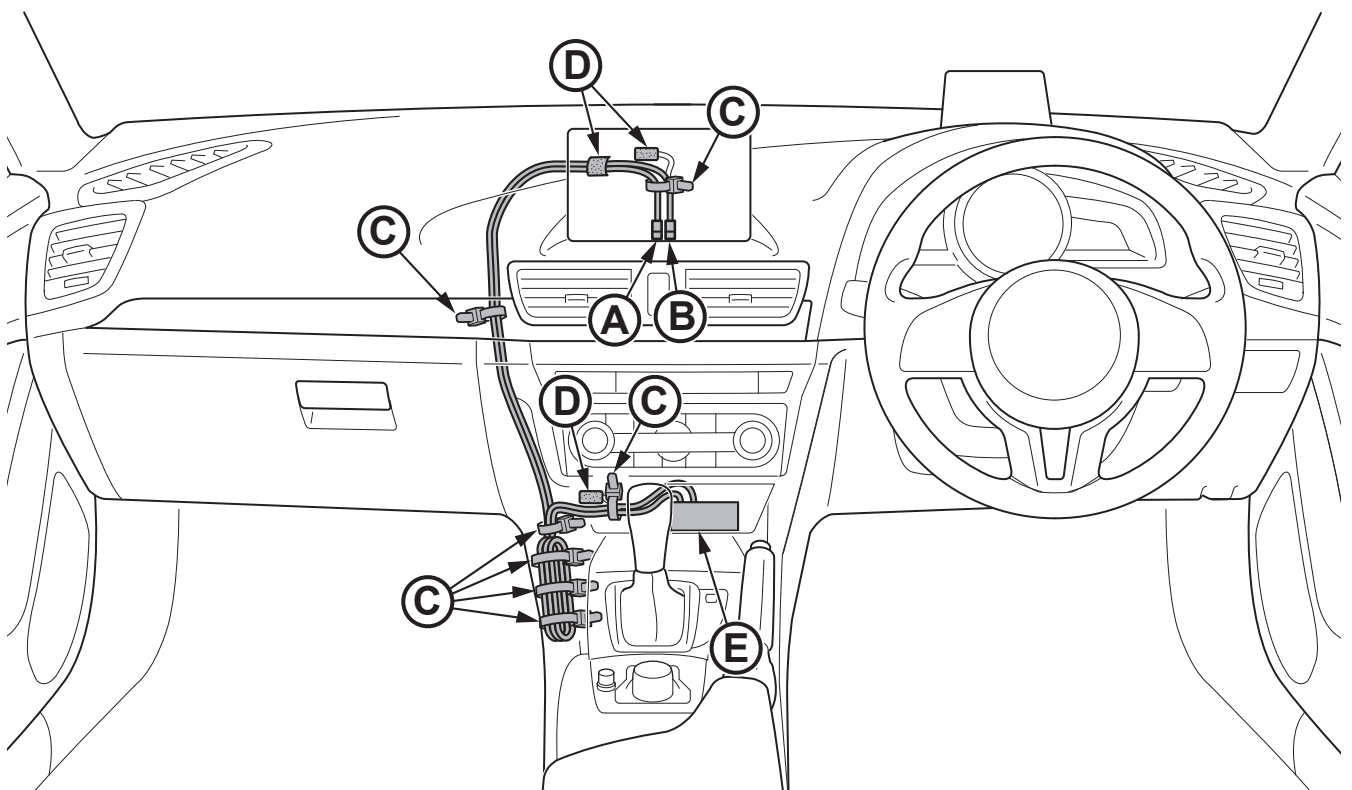


The firmware MUST BE UPDATED FIRST before beginning the installation.

If an older version of the CMU software is being used, the CarPlay/Android Auto-compatible USB hub may not be recognized.

The software must be v70.00.21 or later. If not be sure to update the software.

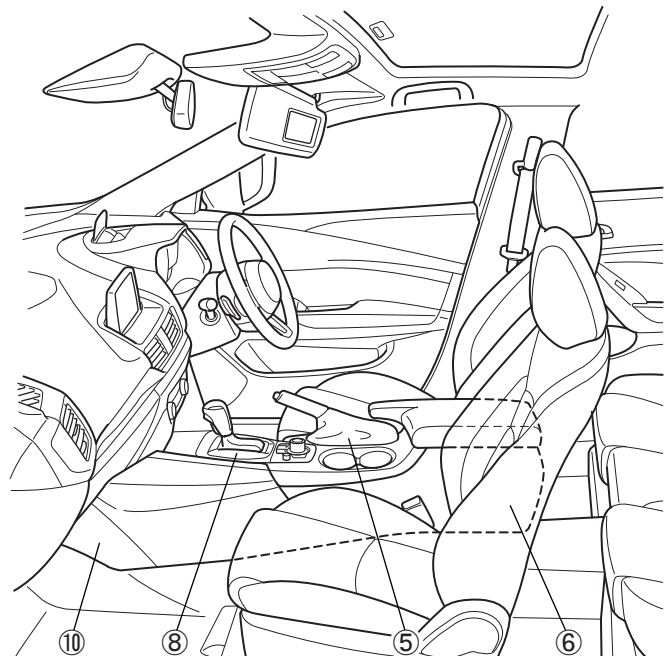
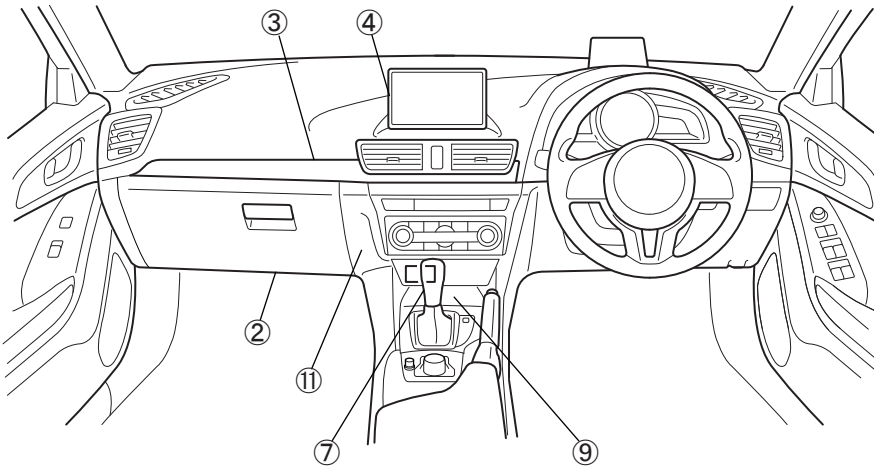
Once the CMU has been attached to the CarPlay/Android Auto-compatible USB hub, the software cannot be updated.



1 VEHICLE PART REMOVAL

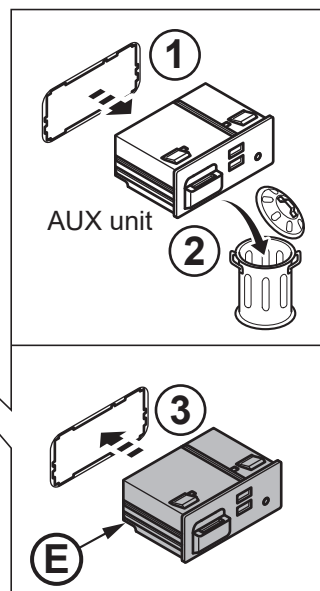
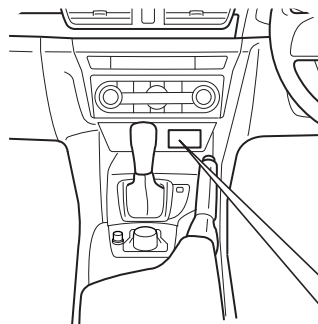


①~⑪

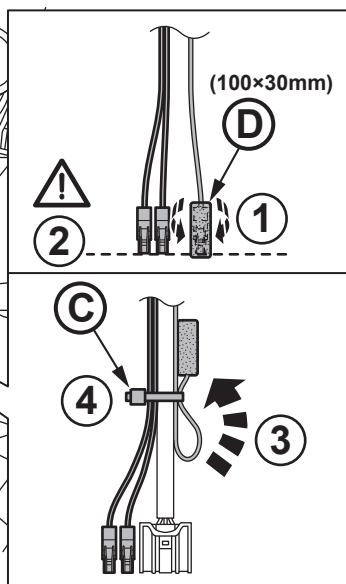
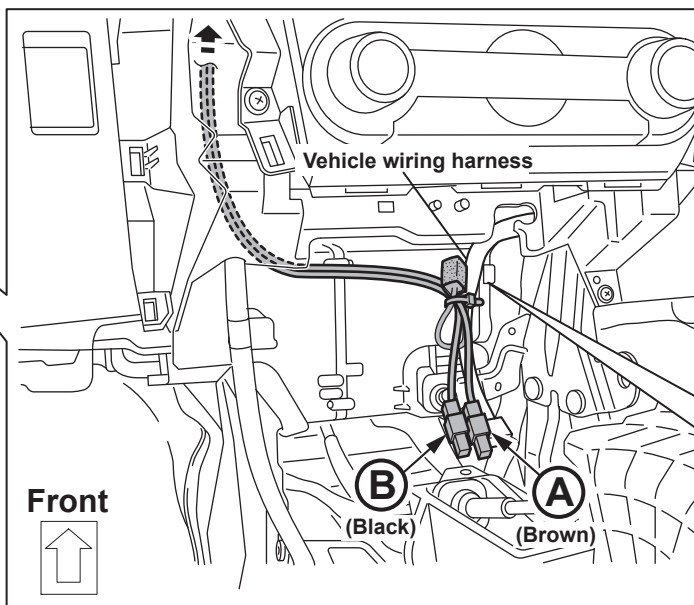
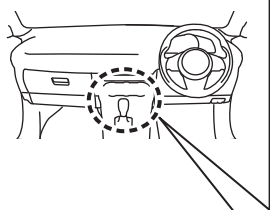


- ① Negative battery cable disconnection
- ② Glove compartment
- ③ Decoration panel
- ④ Center display
- ⑤ Upper panel
- ⑥ Rear console
- ⑦ Shift lever knob (MTX) or Selector lever knob (ATX)
- ⑧ Shift panel
- ⑨ Front console box
- ⑩ Driver/passenger-side side wall
- ⑪ Front console

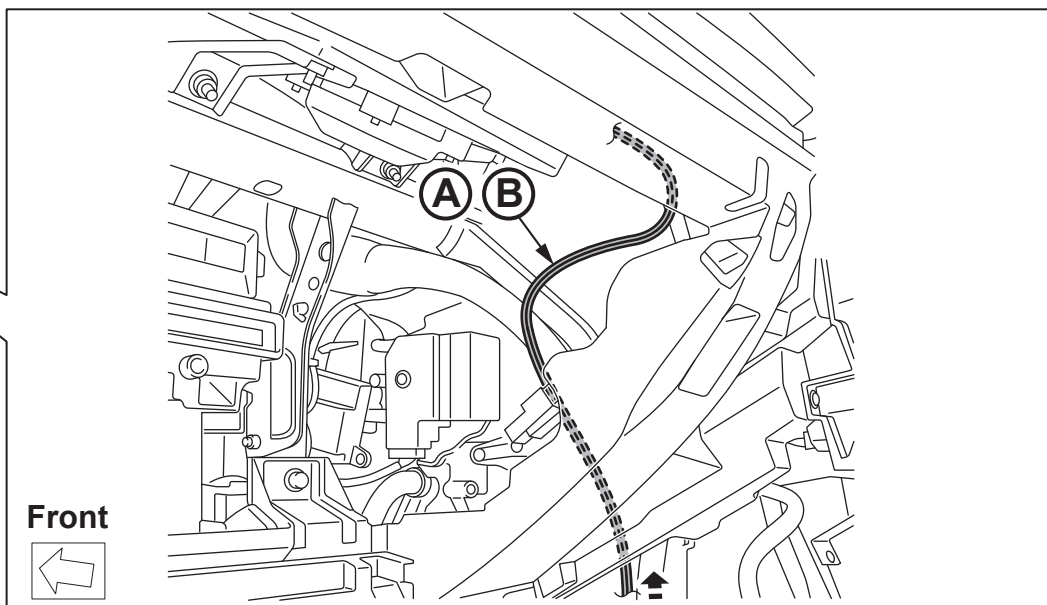
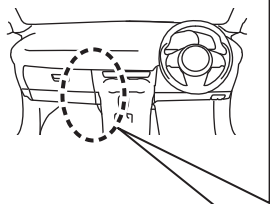
2



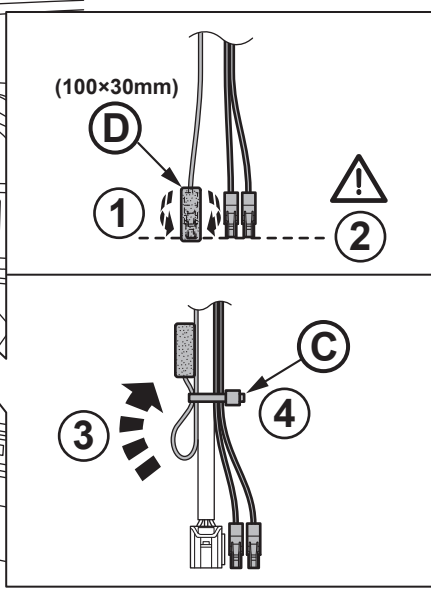
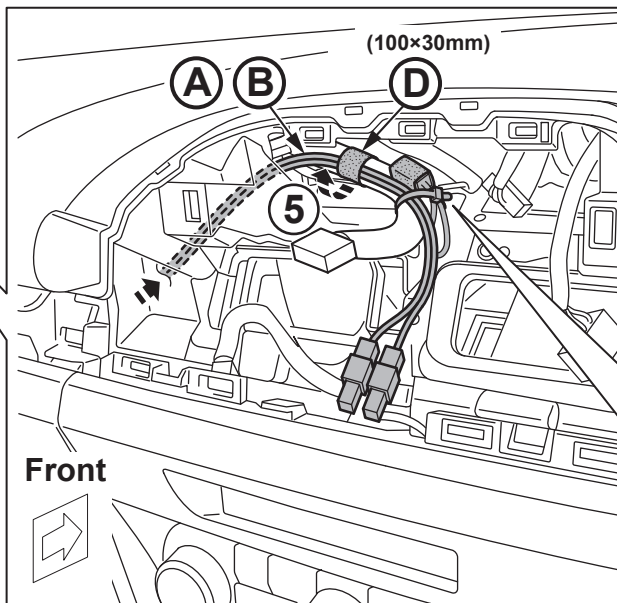
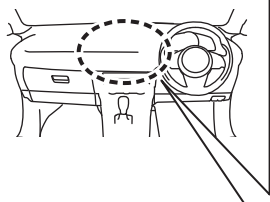
3



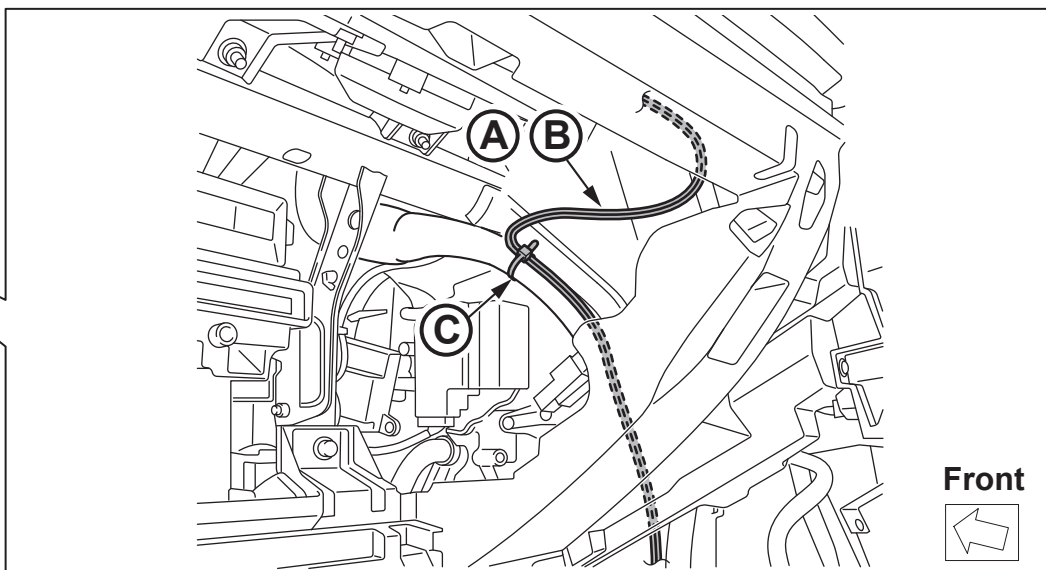
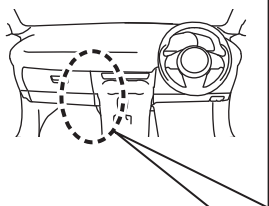
4



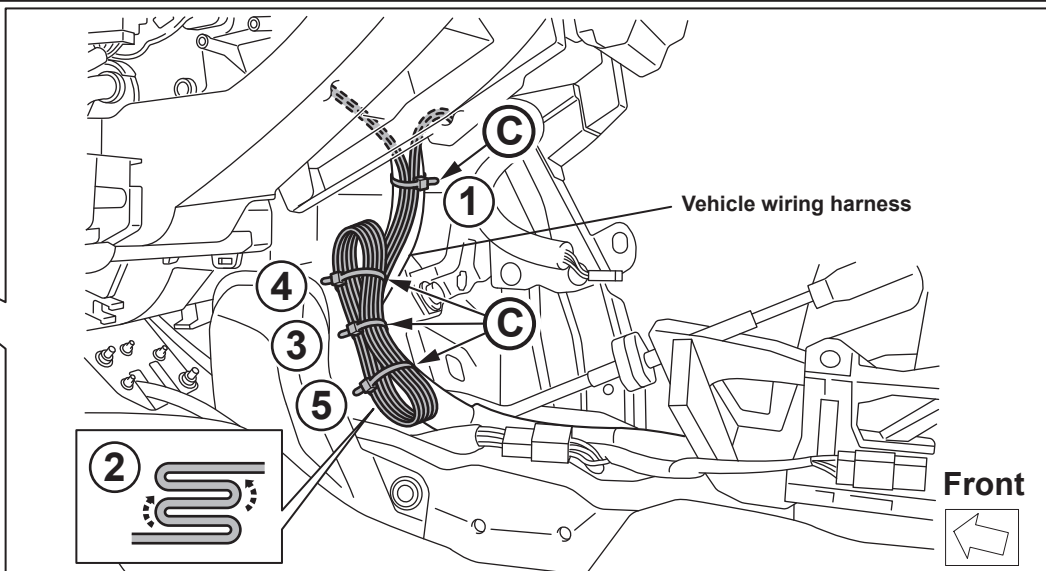
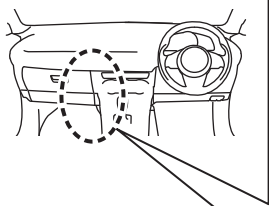
5



6



7

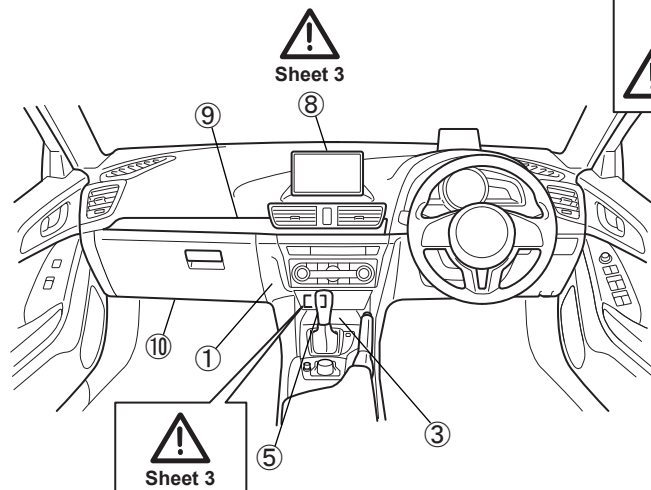


8

VEHICLE PART RE-INSTALLING



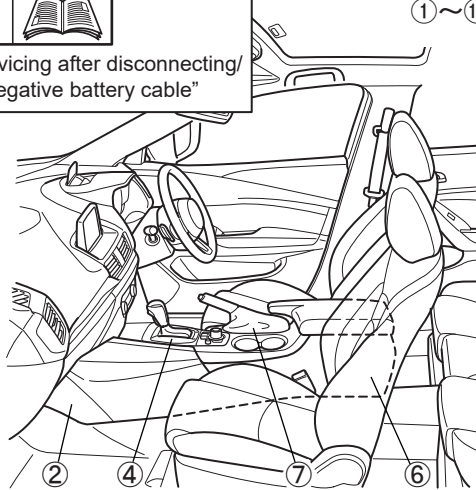
①~⑪



! "Required servicing after disconnecting/ connecting negative battery cable"



⑪



9

OPERATION CHECK



Common-P5
5. OPERATION CHECK



MAZDA3 (BL) [Sheet 25 to 28]


Installed to rear console for vehicles w/ CD/DVD.

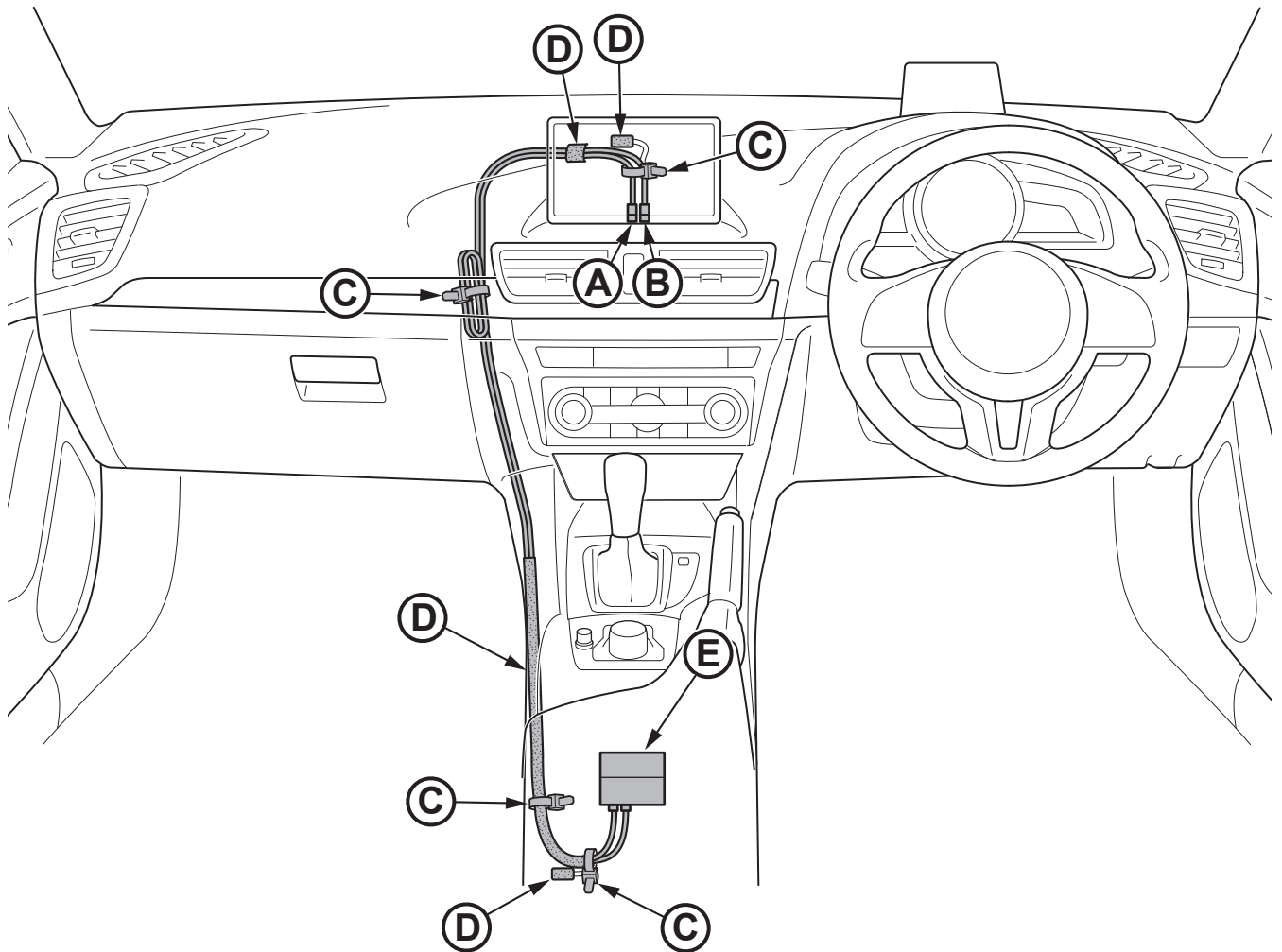


The firmware MUST BE UPDATED FIRST before beginning the installation.

If an older version of the CMU software is being used, the CarPlay/Android Auto-compatible USB hub may not be recognized.

The software must be v70.00.21 or later. If not be sure to update the software.

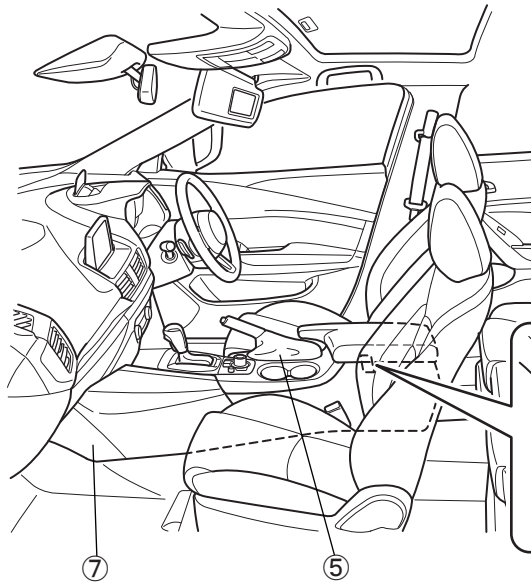
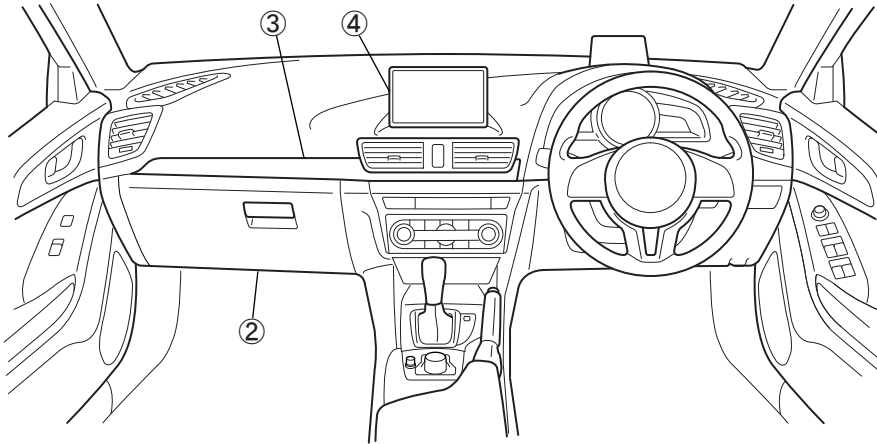
Once the CMU has been attached to the CarPlay/Android Auto-compatible USB hub, the software cannot be updated.



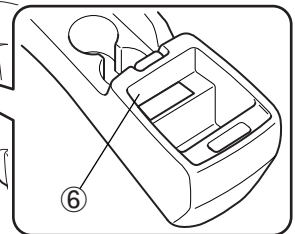
1 VEHICLE PART REMOVAL



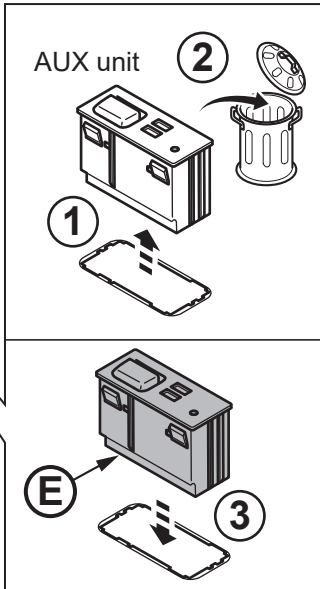
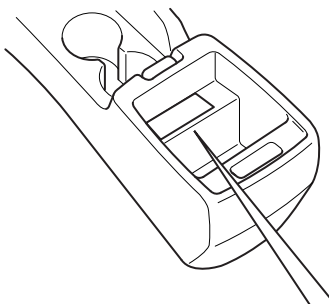
①~⑦



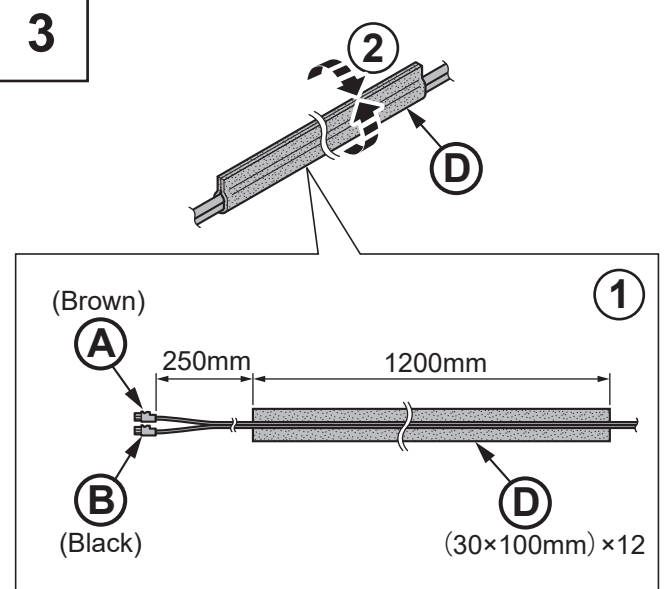
- ① Negative battery cable disconnection
- ② Glove compartment
- ③ Decoration panel
- ④ Center display
- ⑤ Upper panel
- ⑥ Console up
- ⑦ Passenger-side side wall



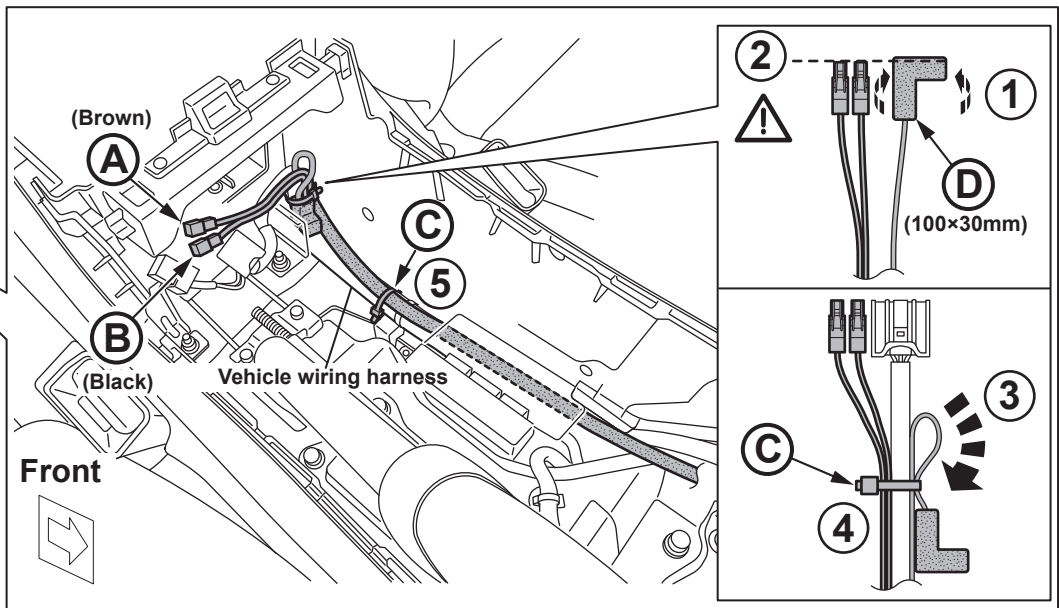
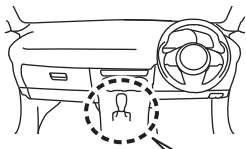
2



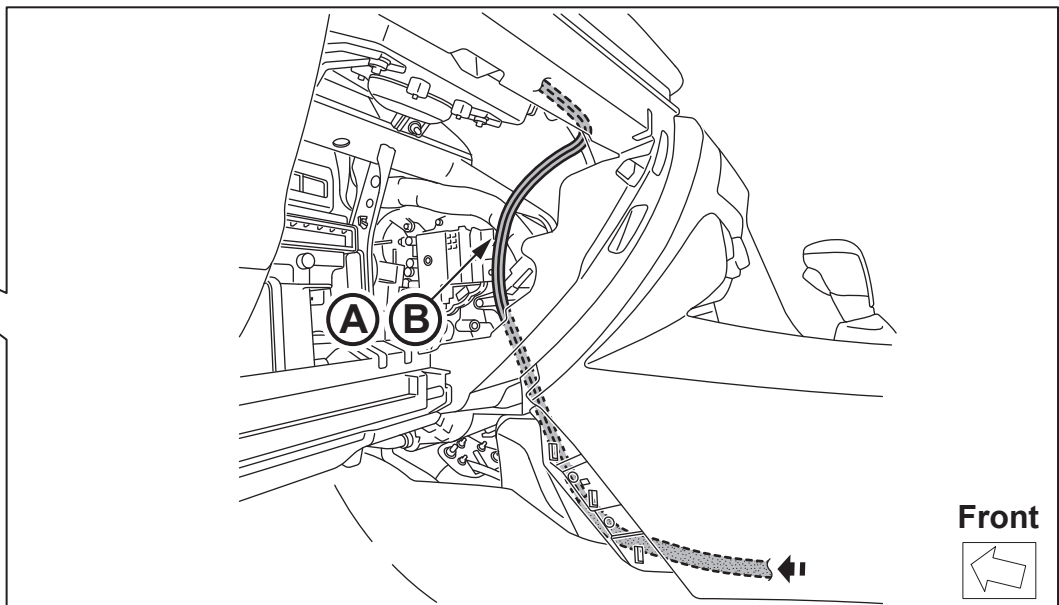
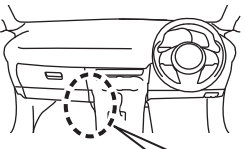
3



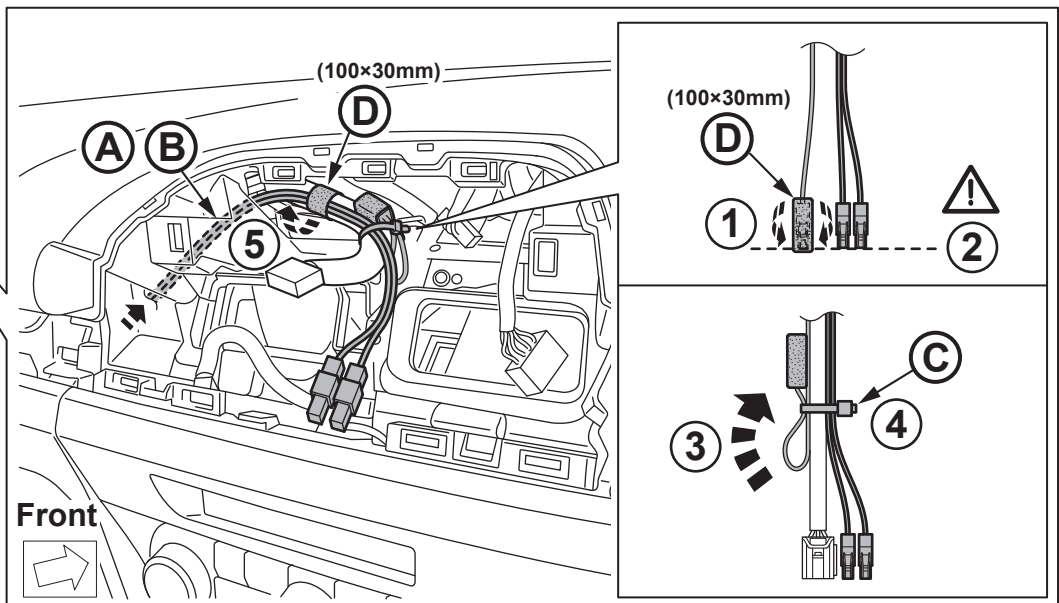
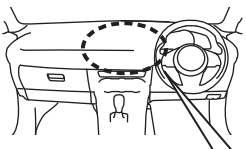
4



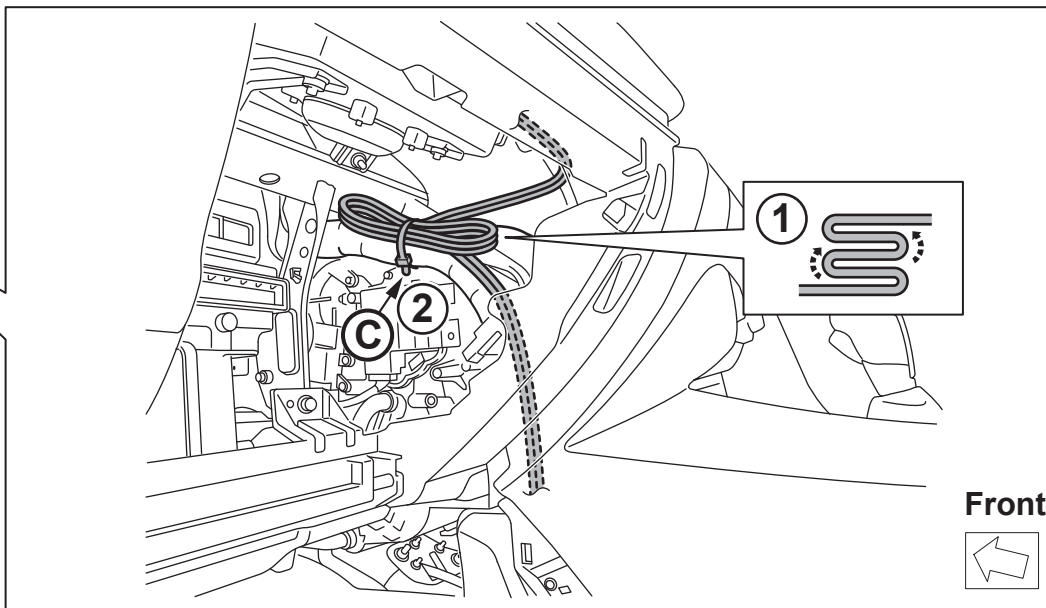
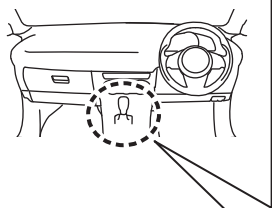
5



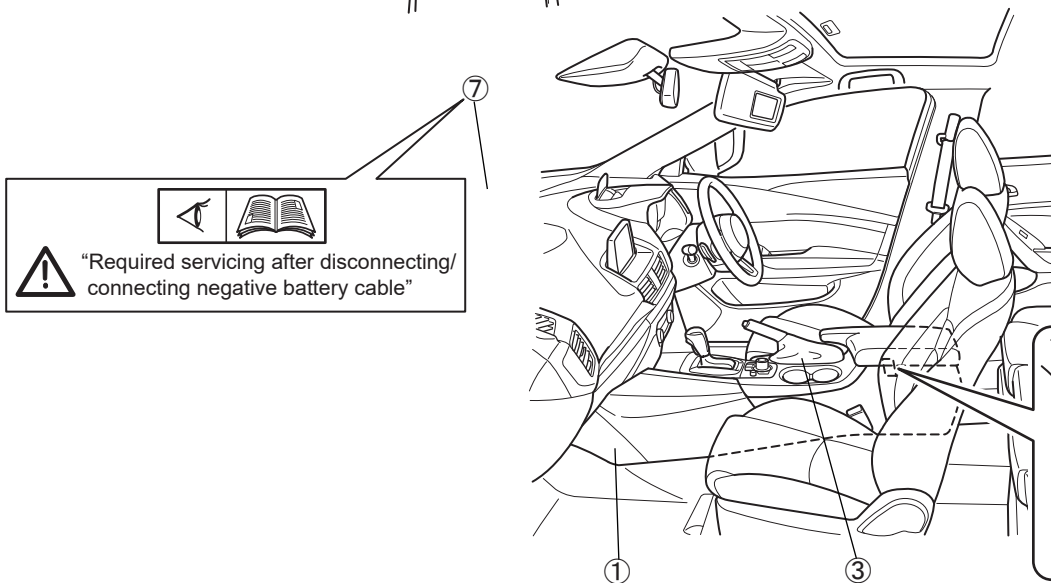
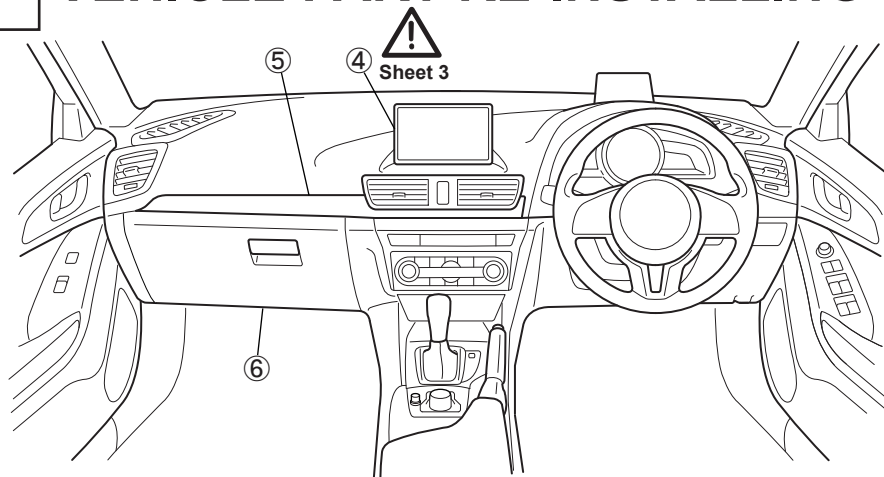
6



7



8 VEHICLE PART RE-INSTALLING

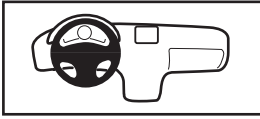


9 OPERATION CHECK



Common-P5
5. OPERATION CHECK



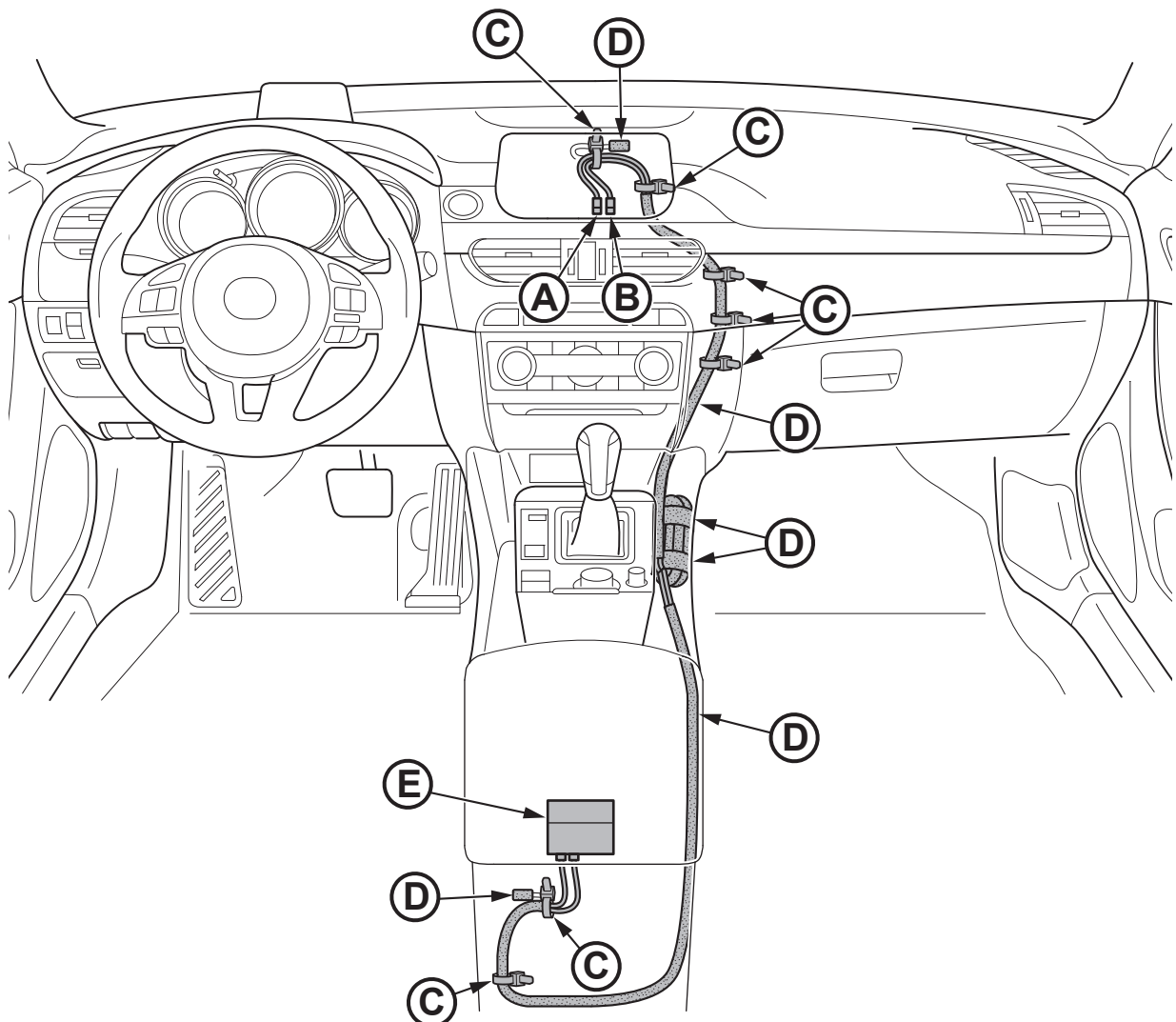
MAZDA6 (GJ/GH) [Sheet 29 to 33]


⚠ The firmware **MUST BE UPDATED FIRST before beginning the installation.**

If an older version of the CMU software is being used, the CarPlay/Android Auto-compatible USB hub may not be recognized.

The software must be v70.00.21 or later. If not be sure to update the software.

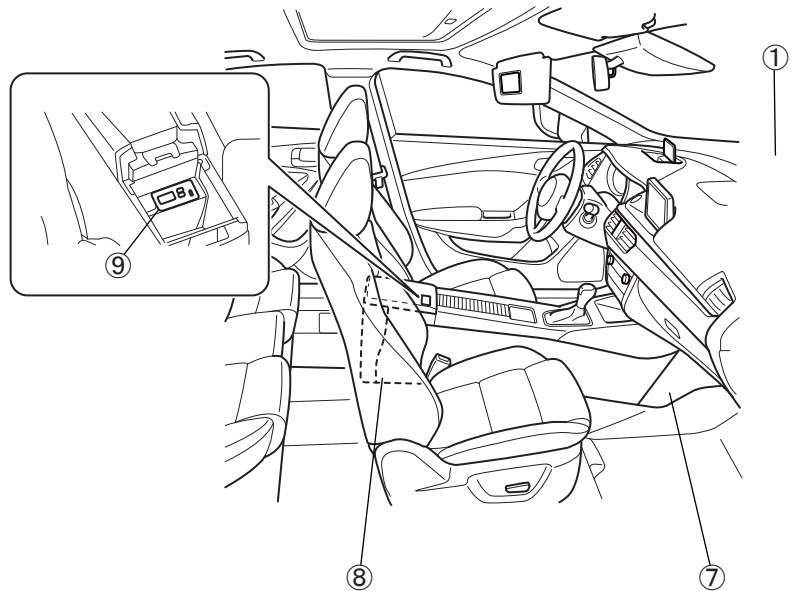
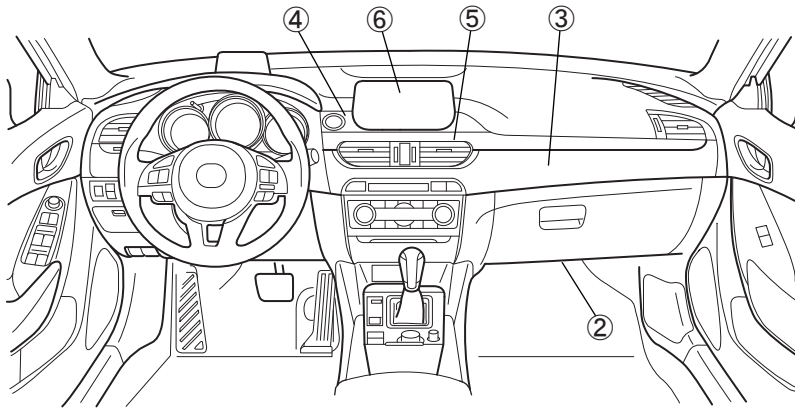
Once the CMU has been attached to the CarPlay/Android Auto-compatible USB hub, the software cannot be updated.



1 VEHICLE PART REMOVAL

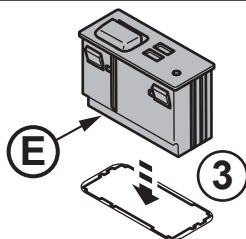
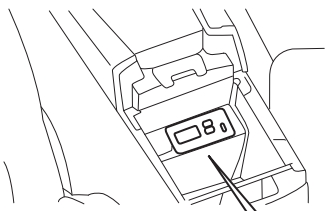


①~⑨

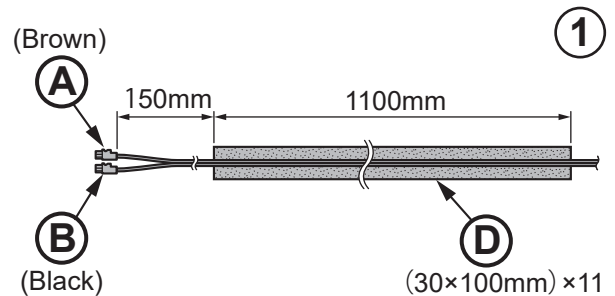
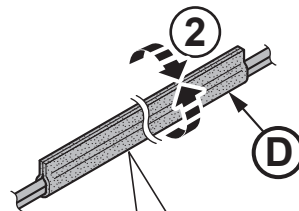


- ① Negative battery cable disconnection
- ② Glove compartment
- ③ Decoration panel
- ④ Audio panel
- ⑤ Center panel
- ⑥ Center display
- ⑦ Passenger-side side wall
- ⑧ Console panel
- ⑨ Console up

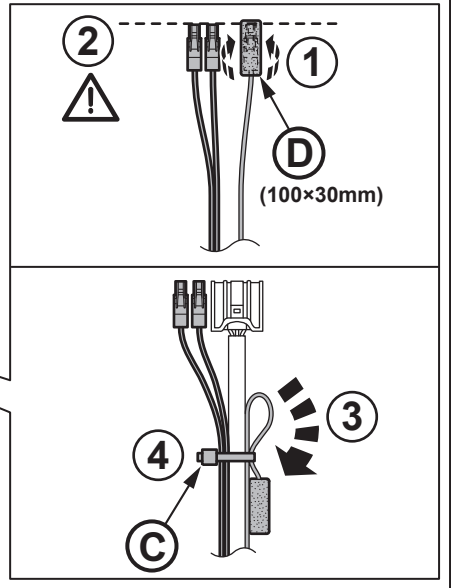
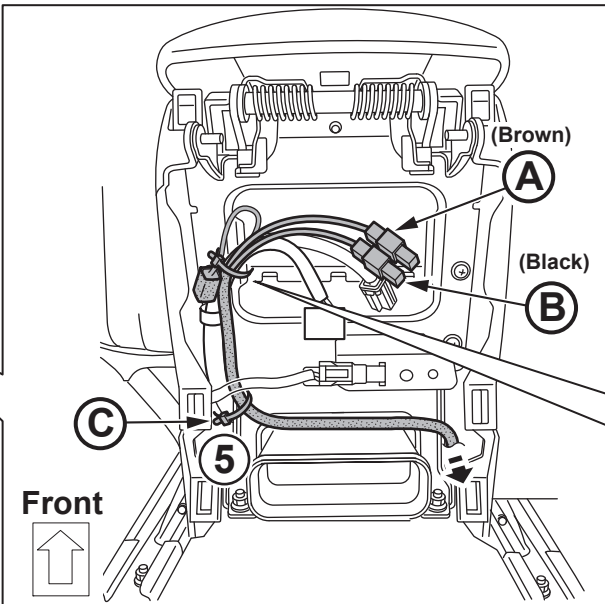
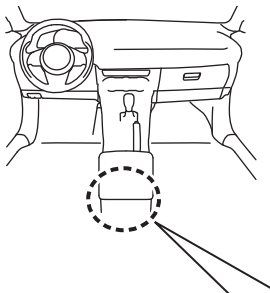
2



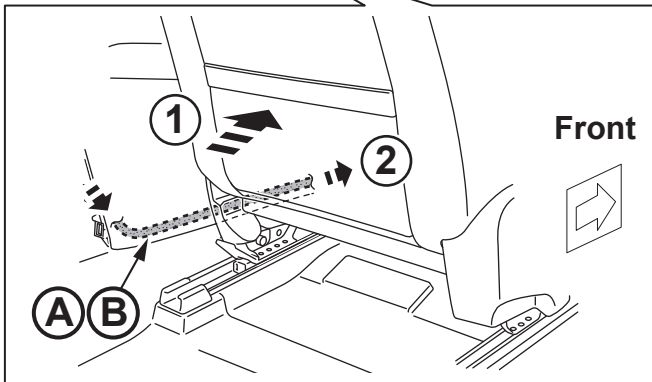
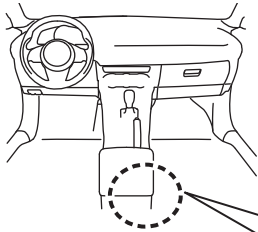
3



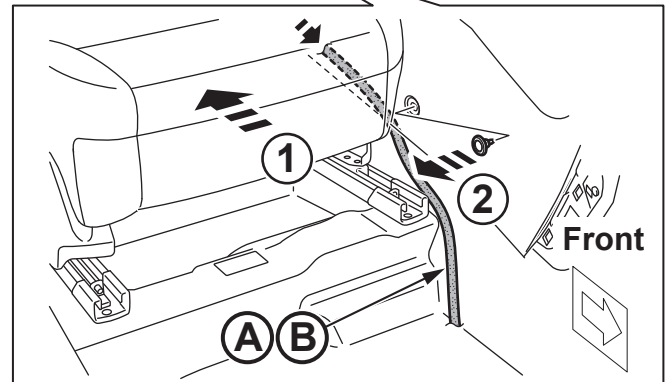
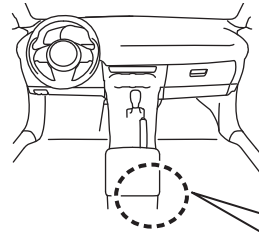
4



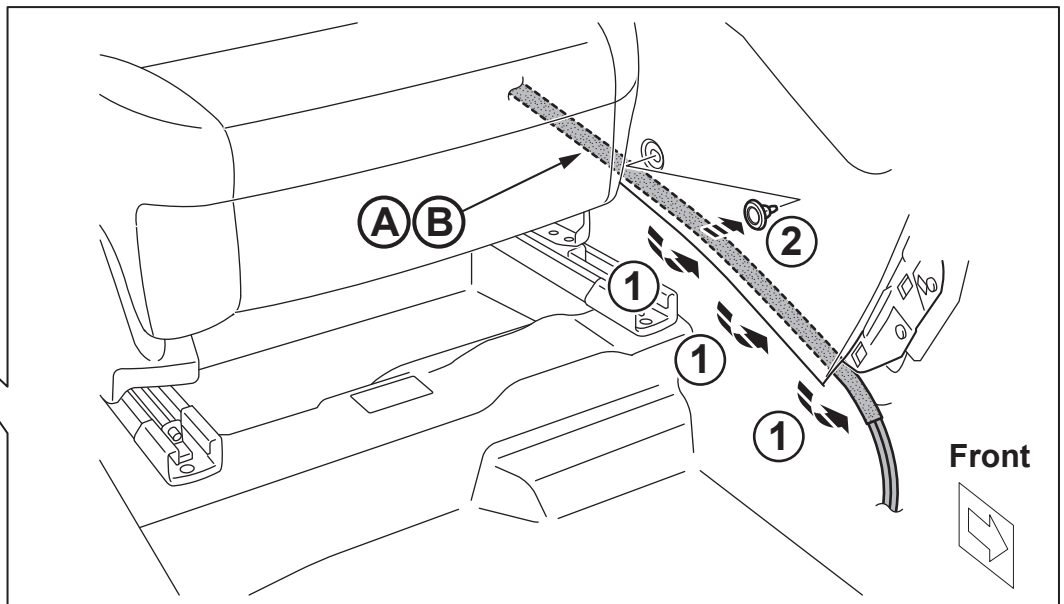
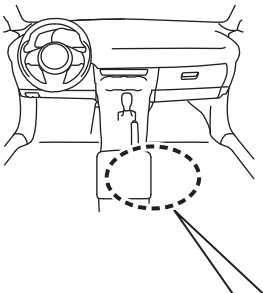
5



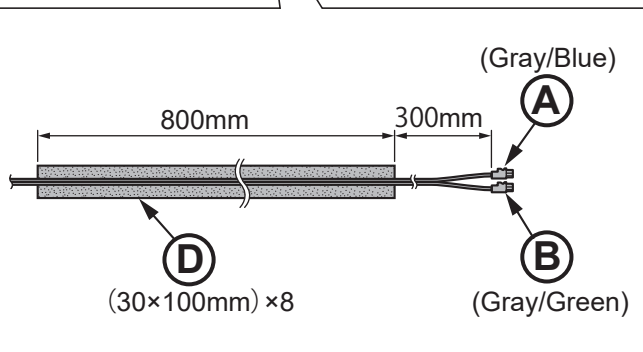
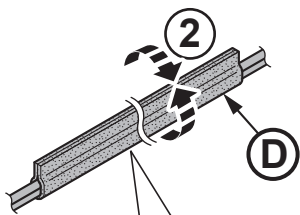
6



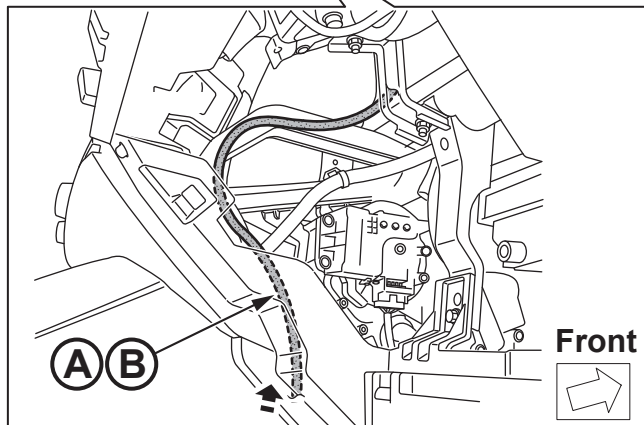
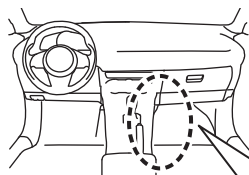
7



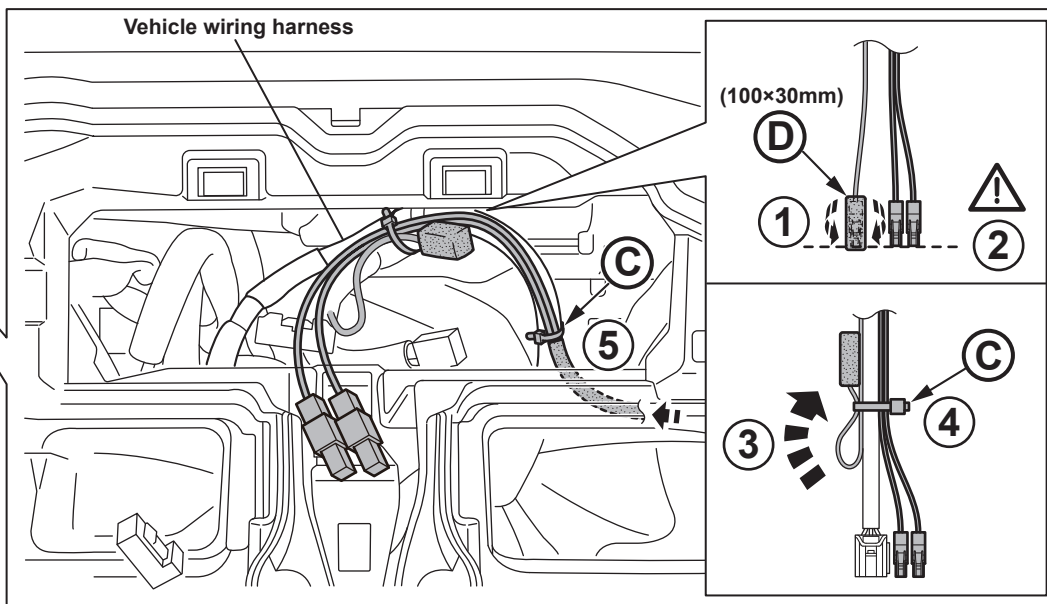
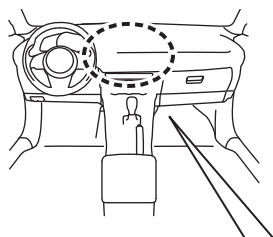
8



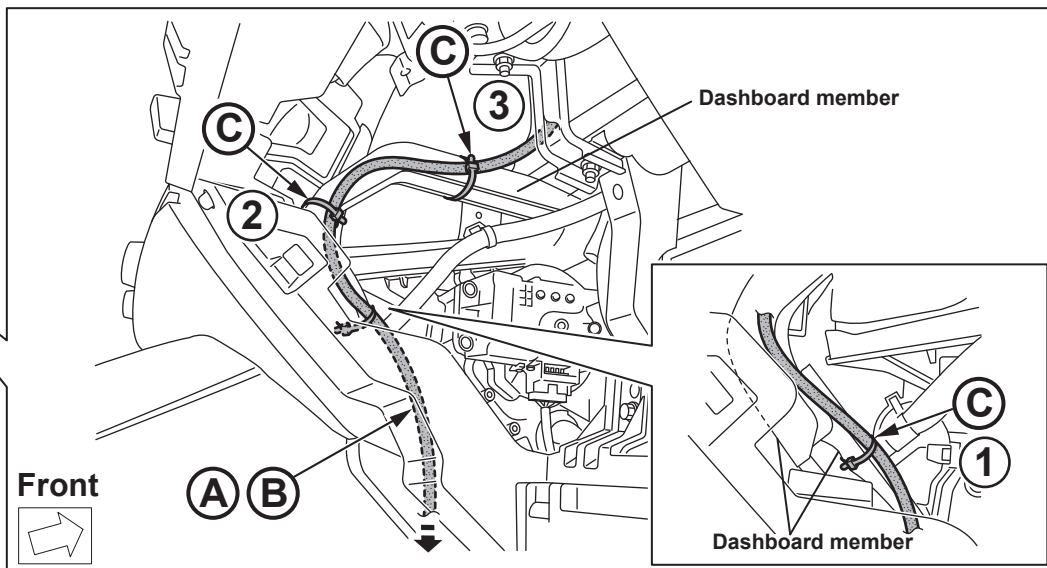
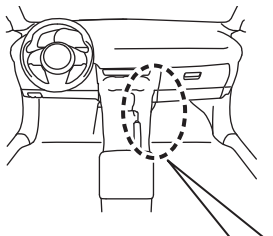
9



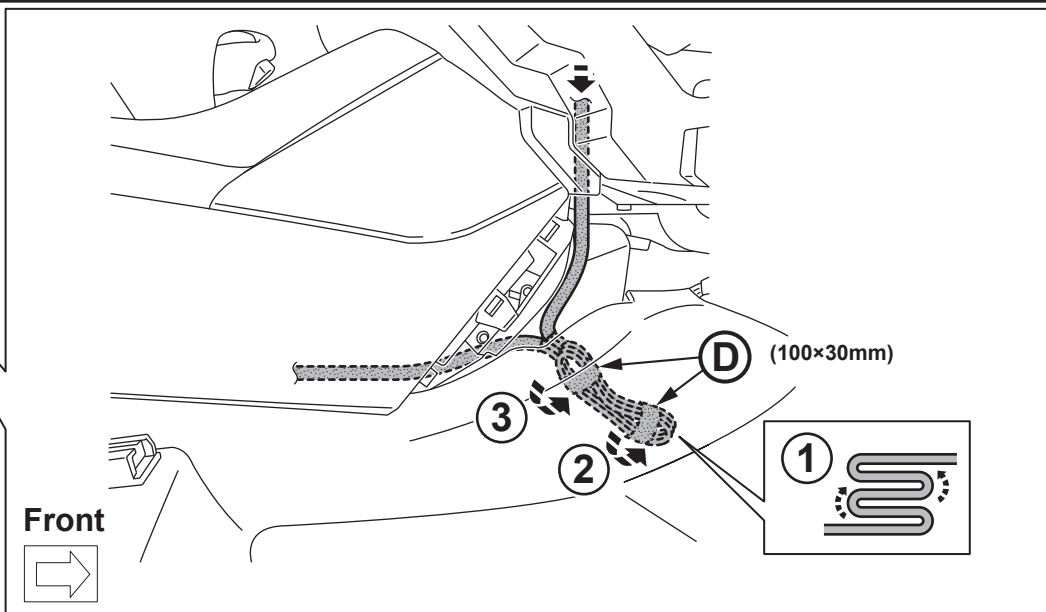
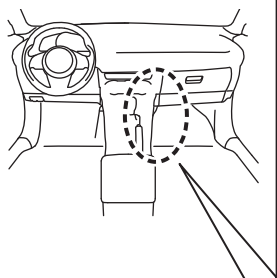
10



11



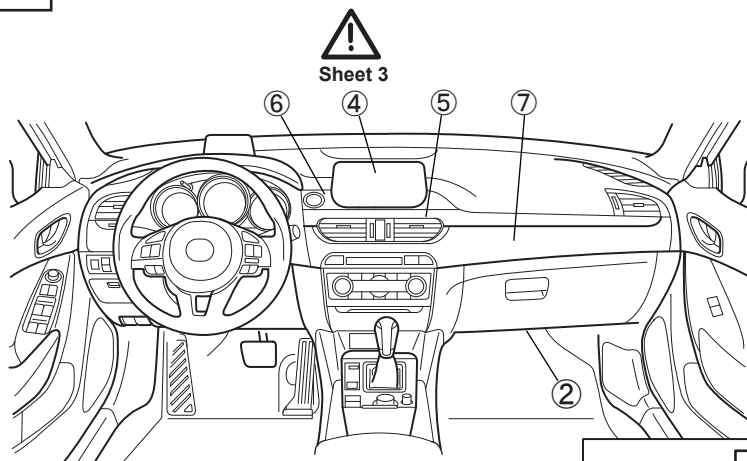
12




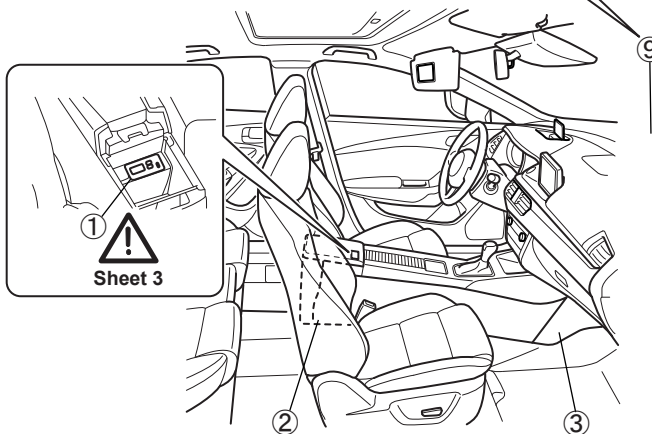
13 VEHICLE PART RE-INSTALLING



①~⑨



 "Required servicing after disconnecting/ connecting negative battery cable"

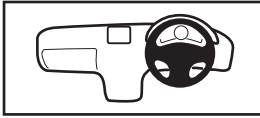


14 OPERATION CHECK



Common-P5
5. OPERATION CHECK



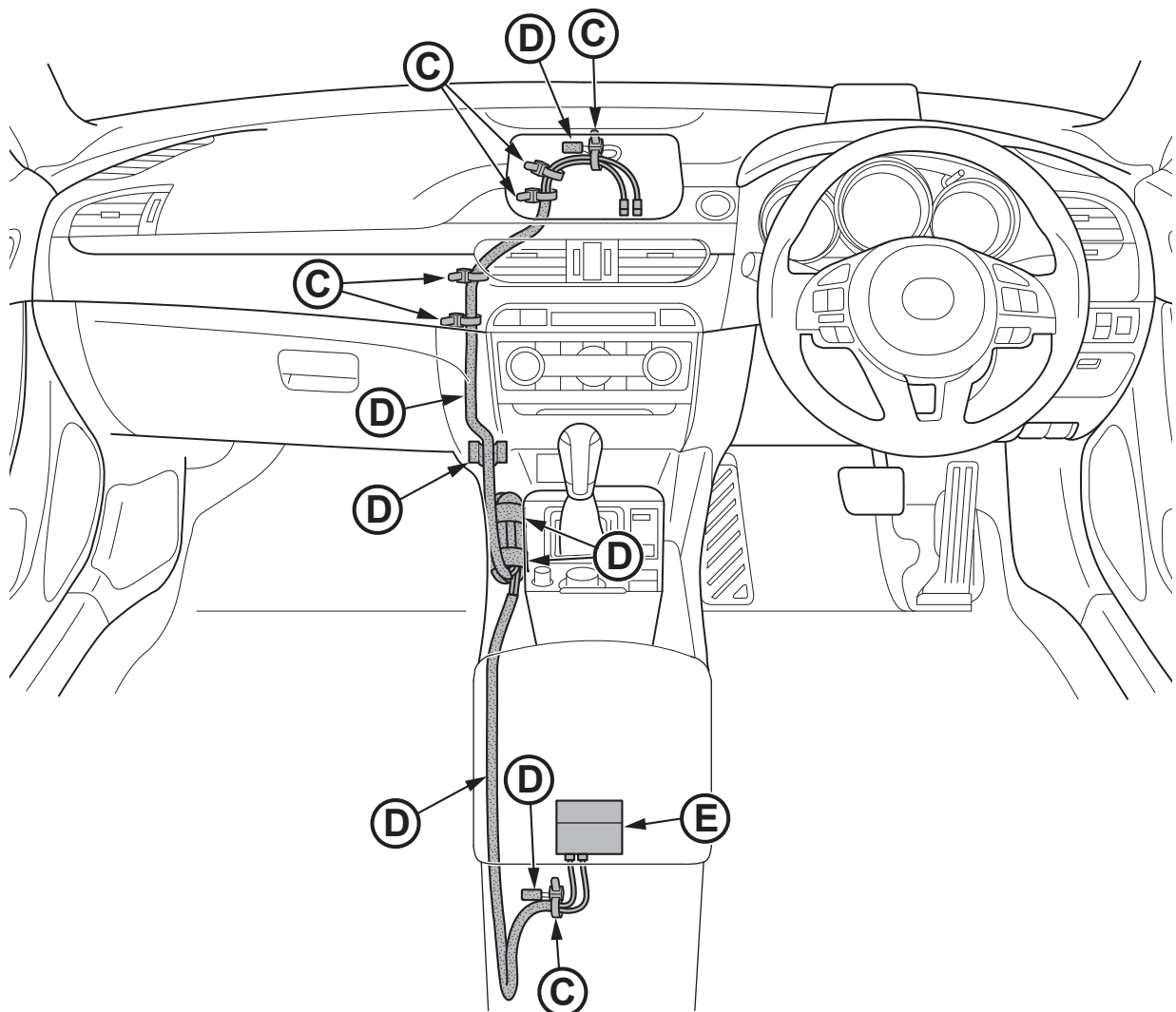
MAZDA6 (GJ/GH) [Sheet 34 to 38]


⚠ The firmware **MUST BE UPDATED FIRST before beginning the installation.**

If an older version of the CMU software is being used, the CarPlay/Android Auto-compatible USB hub may not be recognized.

The software must be v70.00.21 or later. If not be sure to update the software.

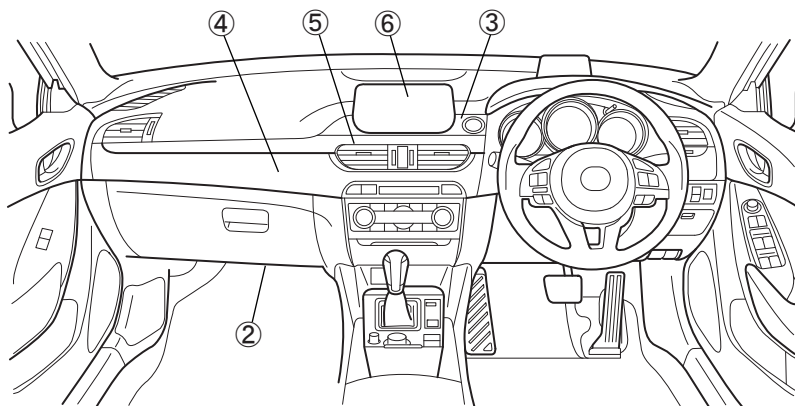
Once the CMU has been attached to the CarPlay/Android Auto-compatible USB hub, the software cannot be updated.



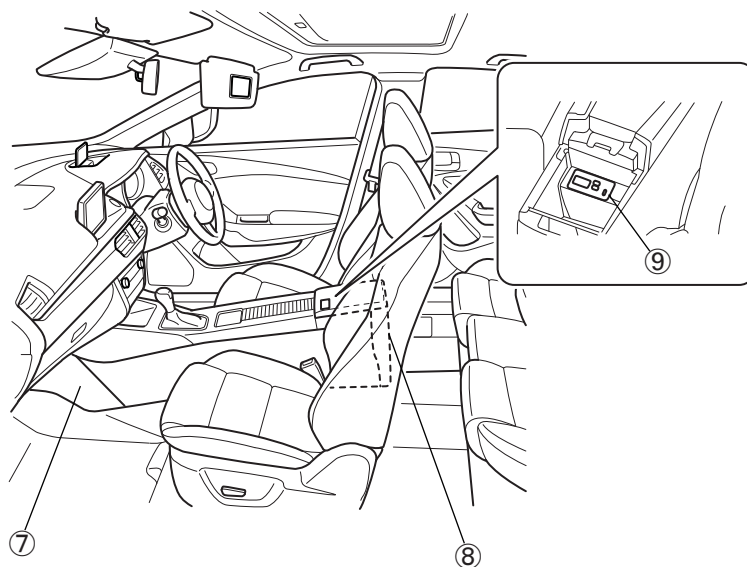
1 VEHICLE PART REMOVAL



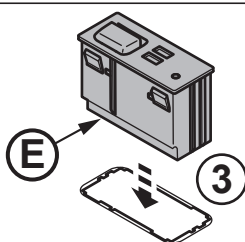
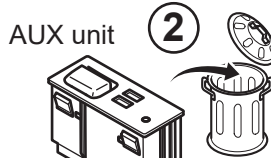
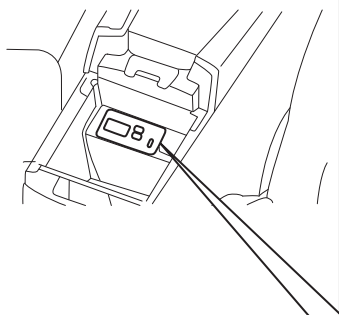
①~⑨



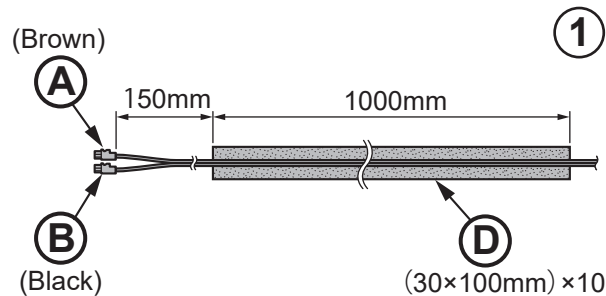
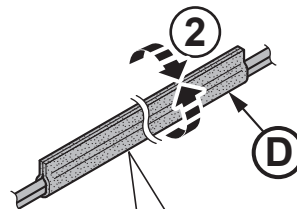
- ① Negative battery cable disconnection
- ② Glove compartment
- ③ Decoration panel
- ④ Audio panel
- ⑤ Center panel
- ⑥ Center display
- ⑦ Passenger-side side wall
- ⑧ Console panel
- ⑨ Console up



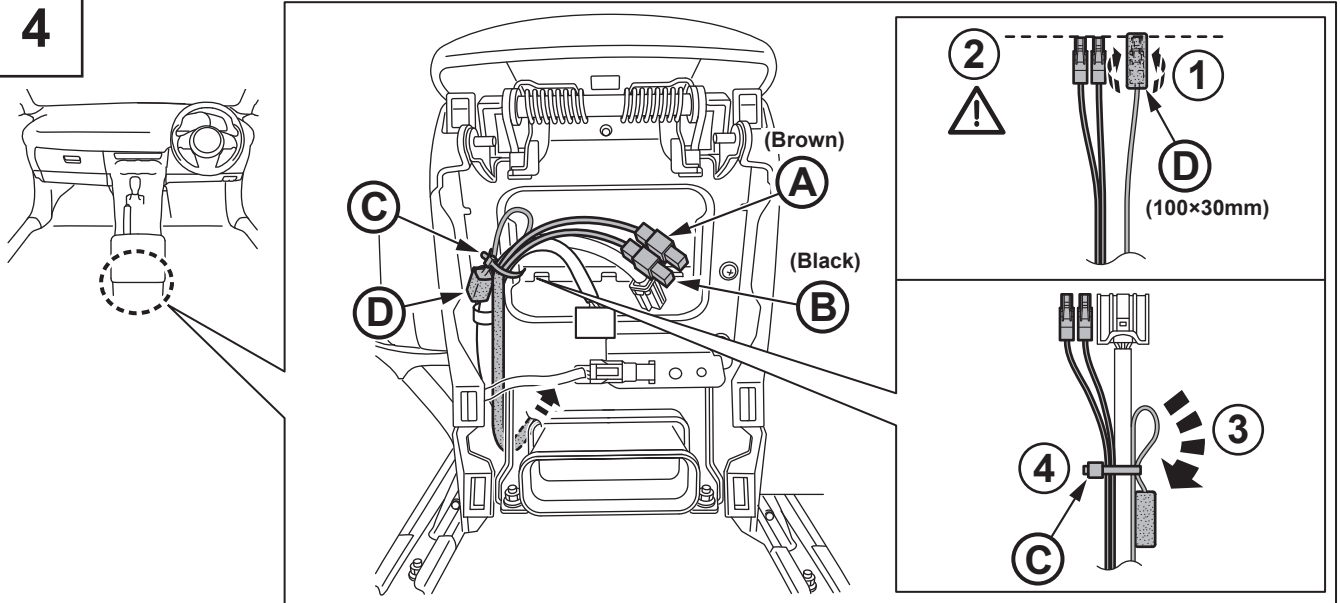
2



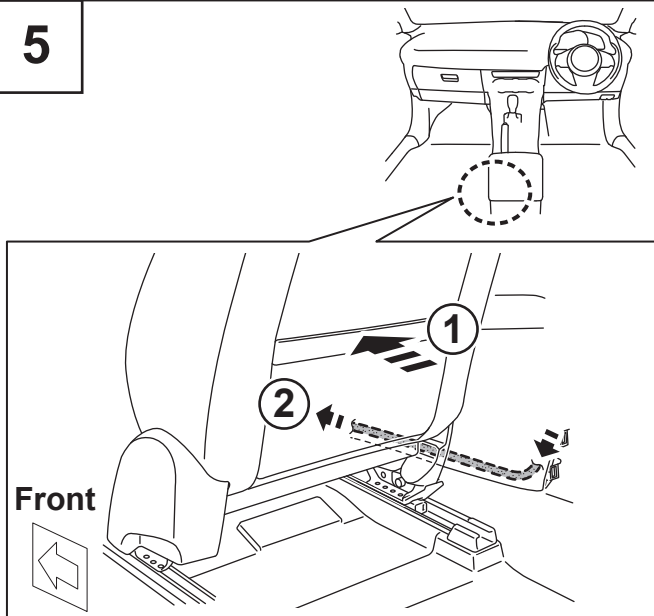
3



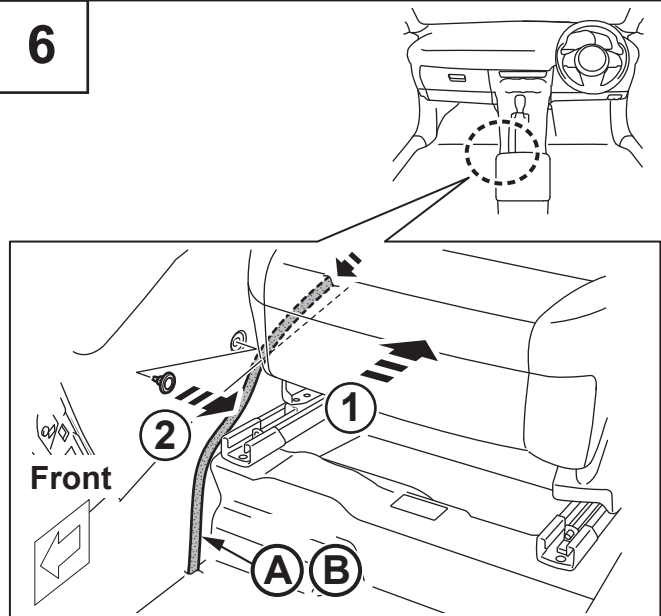
4



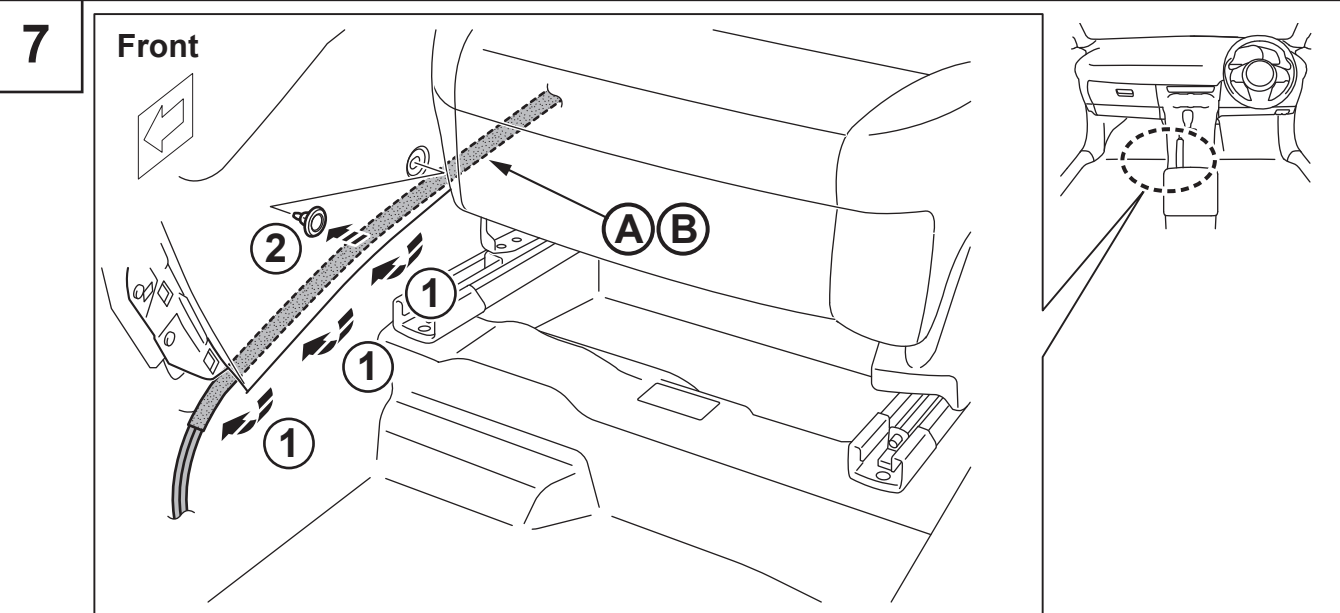
5



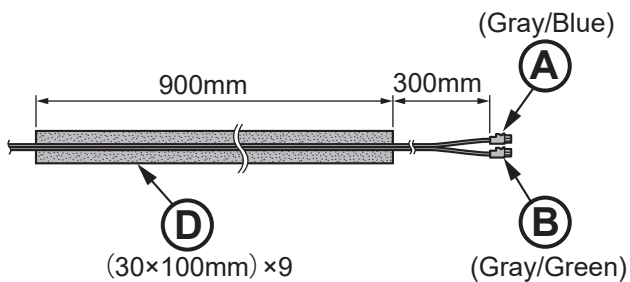
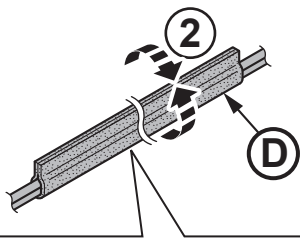
6



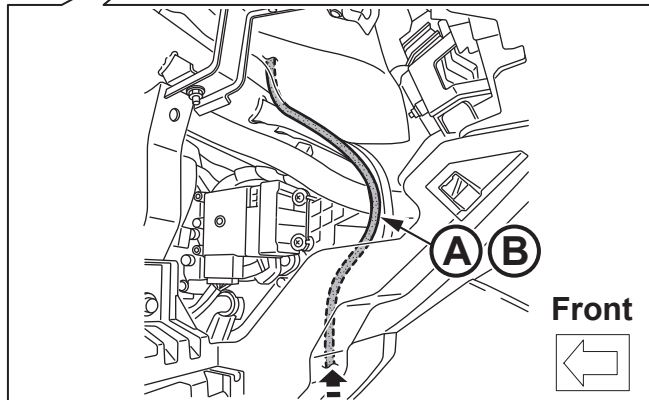
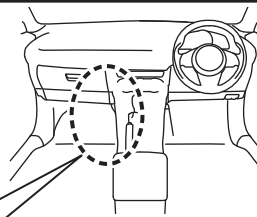
7



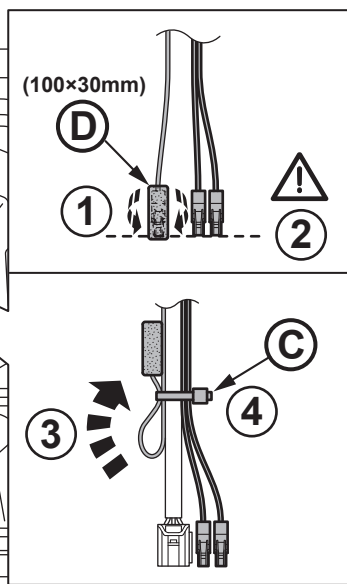
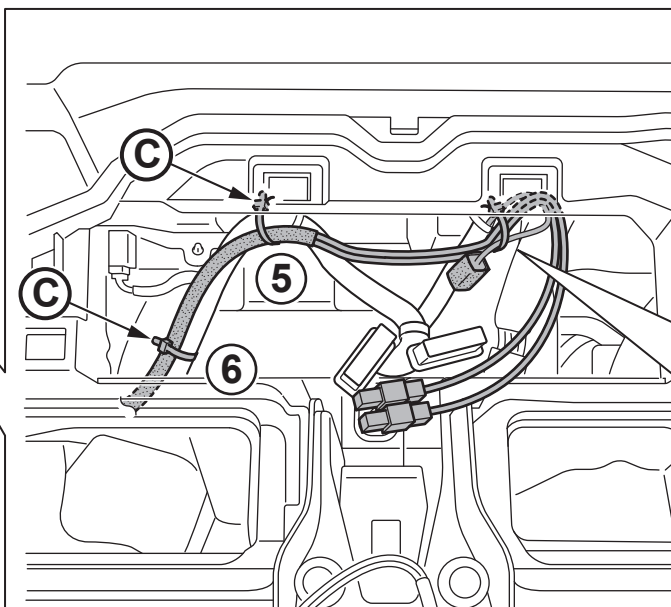
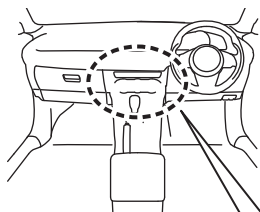
8



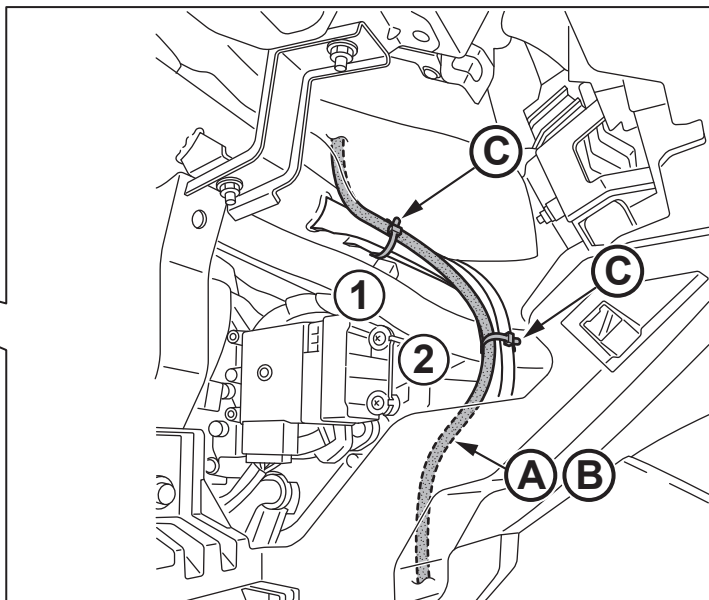
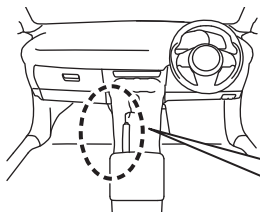
9



10



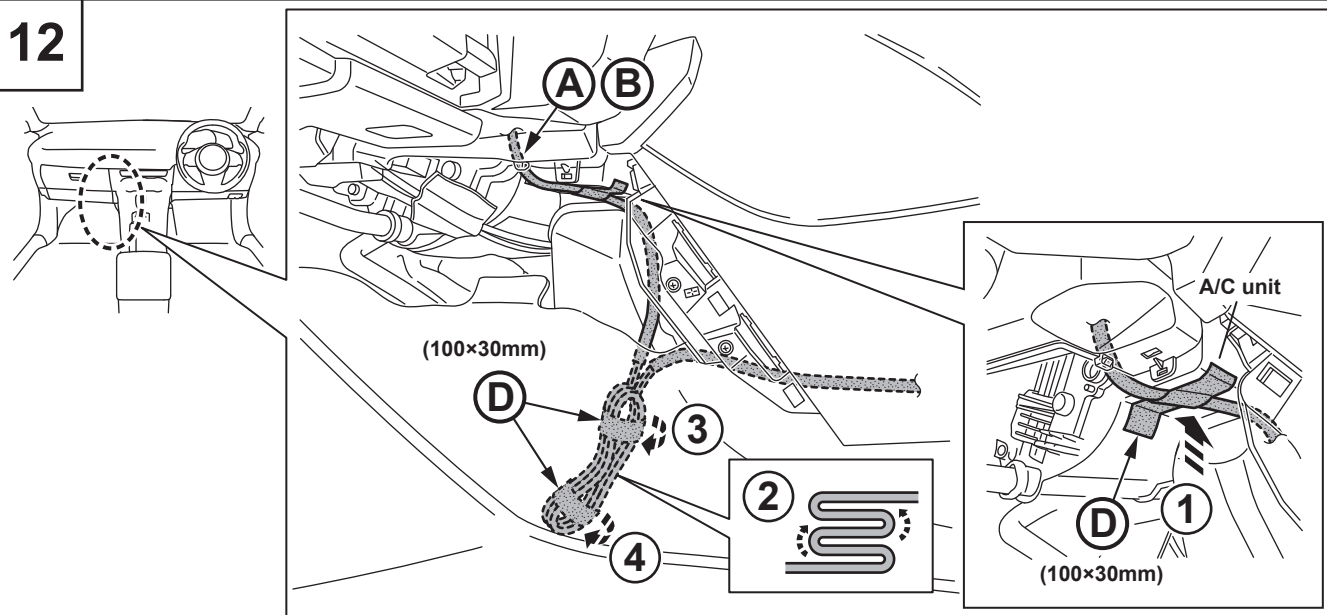
11



Front



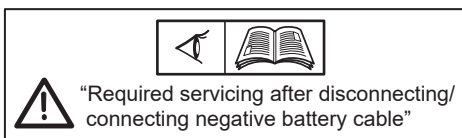
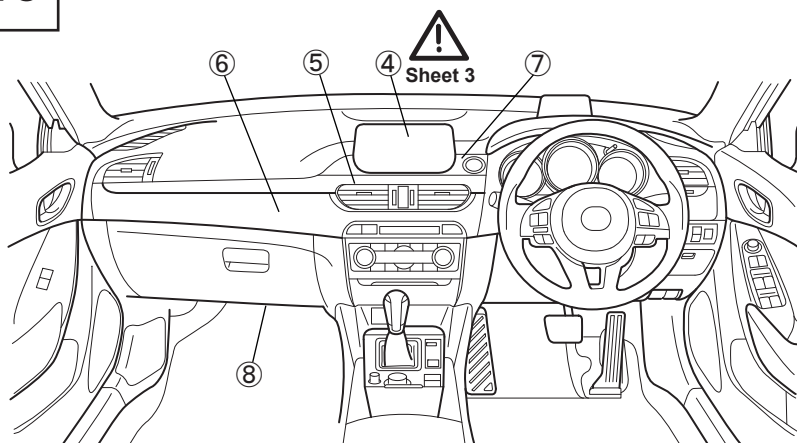
12



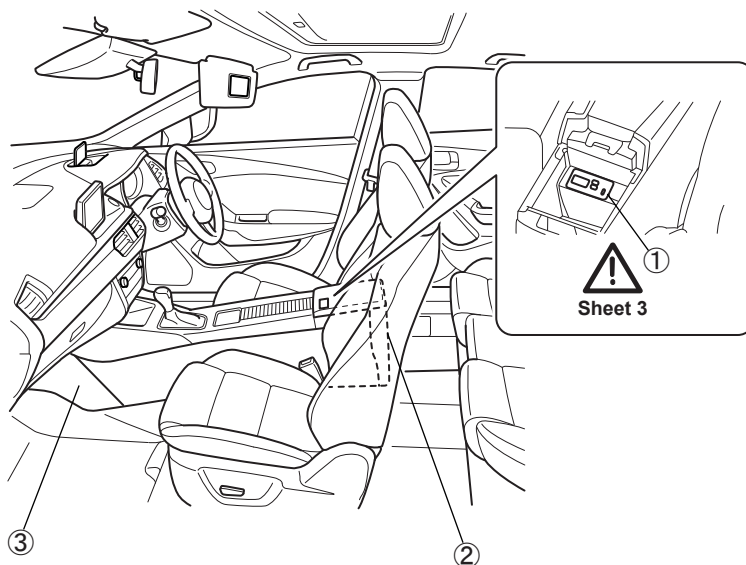
13 VEHICLE PART RE-INSTALLING



①~⑨



⑨



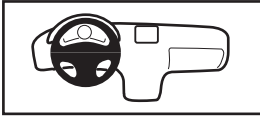
14 OPERATION CHECK



Common-P5
5. OPERATION CHECK



MAZDA CX-5 (KE/GH) [Sheet 39 to 42]

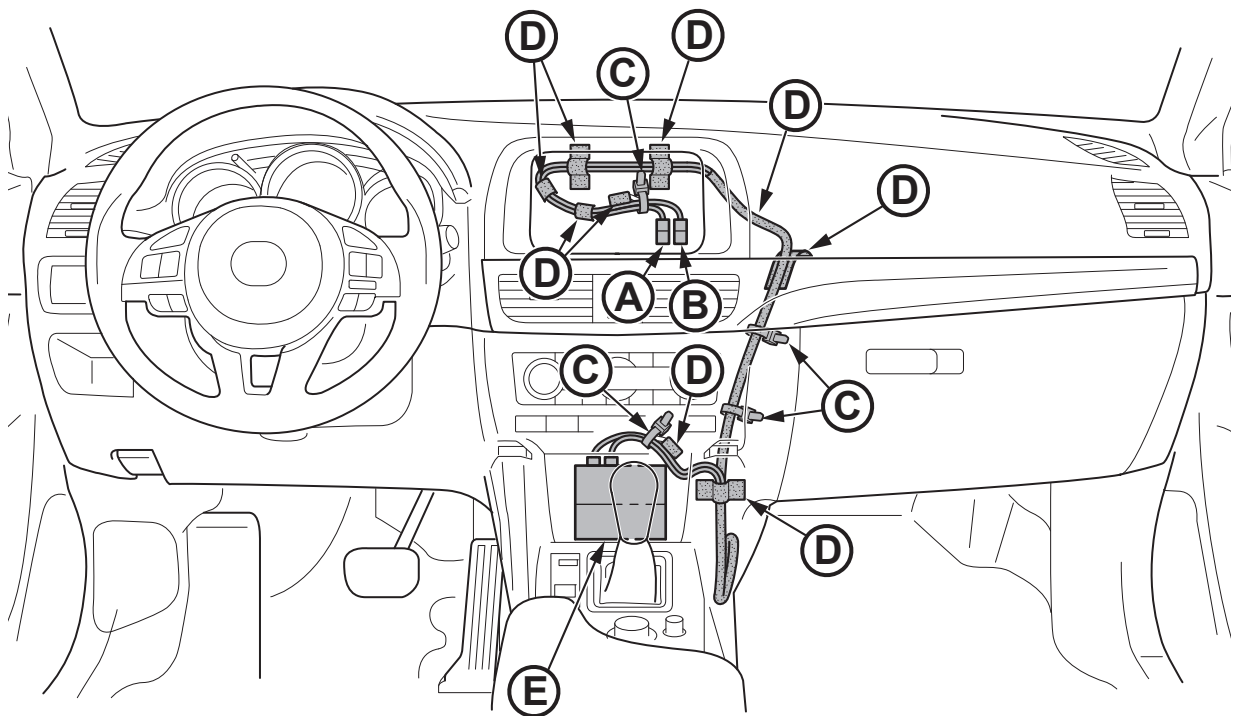


⚠ The firmware **MUST BE UPDATED FIRST before beginning the installation.**

If an older version of the CMU software is being used, the CarPlay/Android Auto-compatible USB hub may not be recognized.

The software must be v70.00.21 or later. If not be sure to update the software.

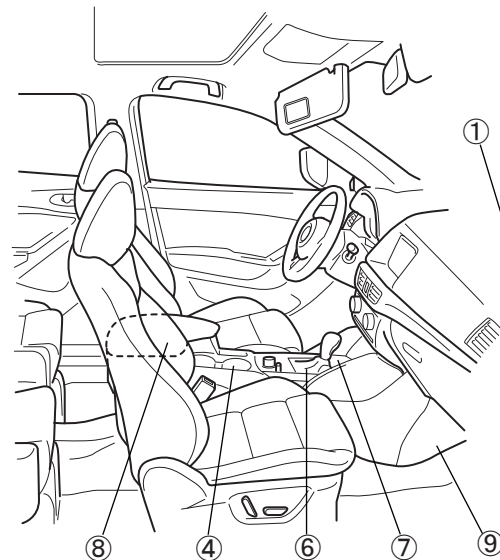
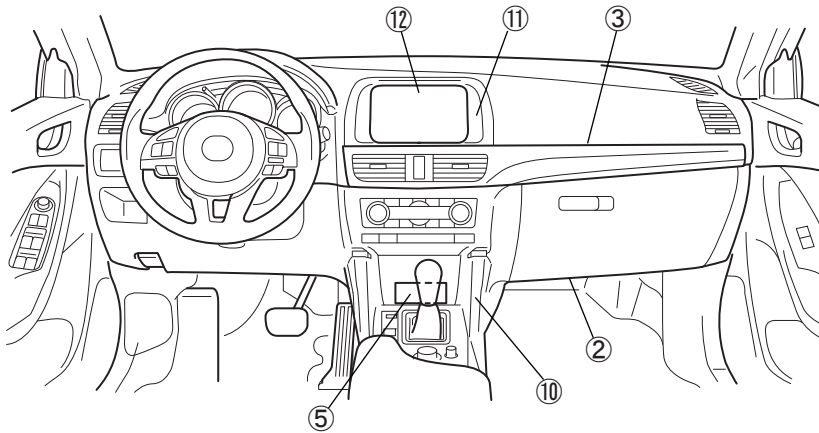
Once the CMU has been attached to the CarPlay/Android Auto-compatible USB hub, the software cannot be updated.



1 VEHICLE PART REMOVAL

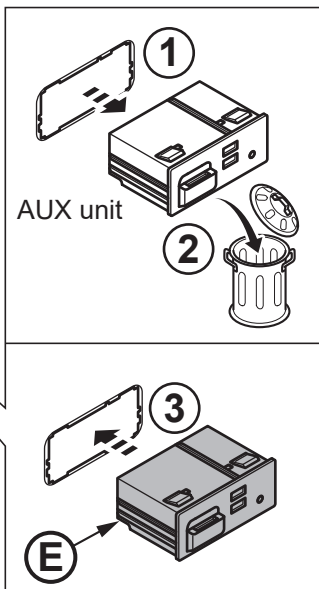
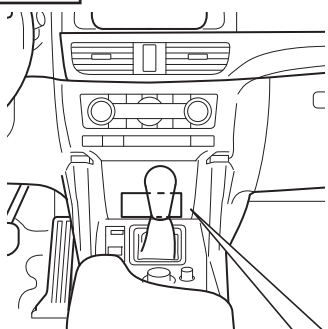


①~⑫

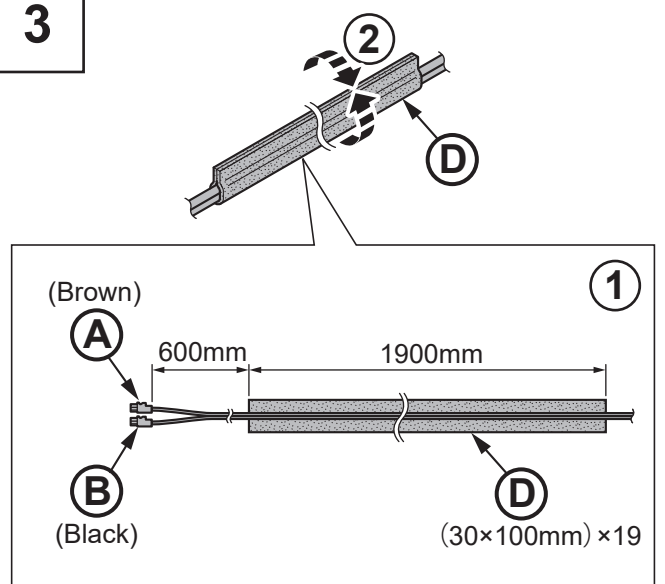


- ① Negative battery cable disconnection
- ② Glove compartment
- ③ Decoration panel
- ④ Upper panel
- ⑤ Shift lever knob (MTX) or Selector lever knob (ATX)
- ⑥ Shift panel
- ⑦ Front console box
- ⑧ Rear console
- ⑨ Passenger-side side wall
- ⑩ Front console
- ⑪ Center panel
- ⑫ Center display

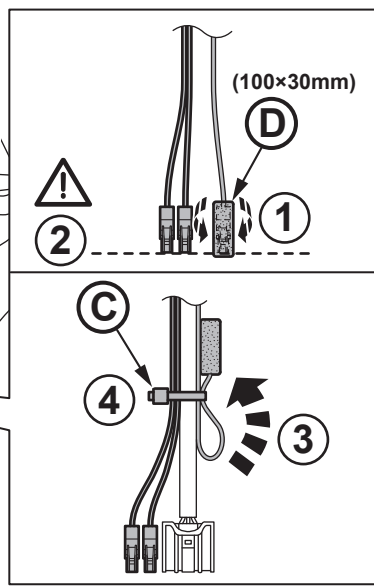
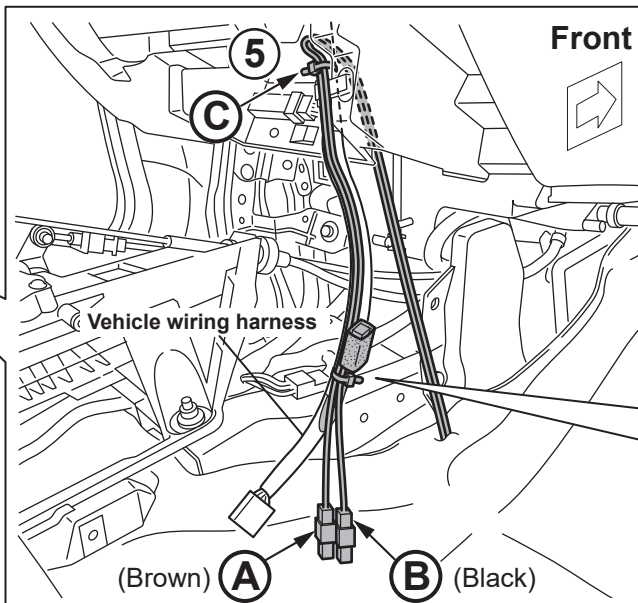
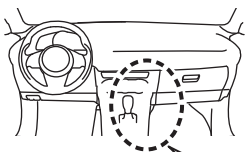
2



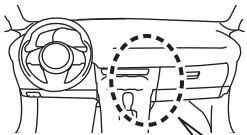
3



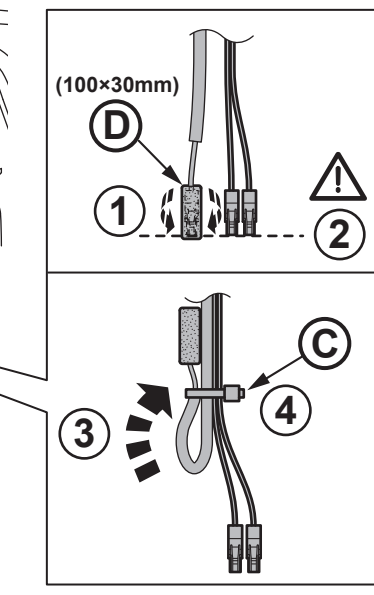
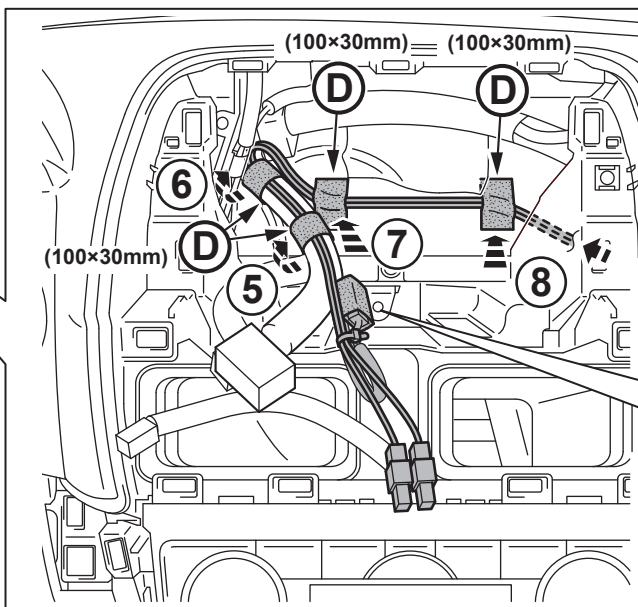
4



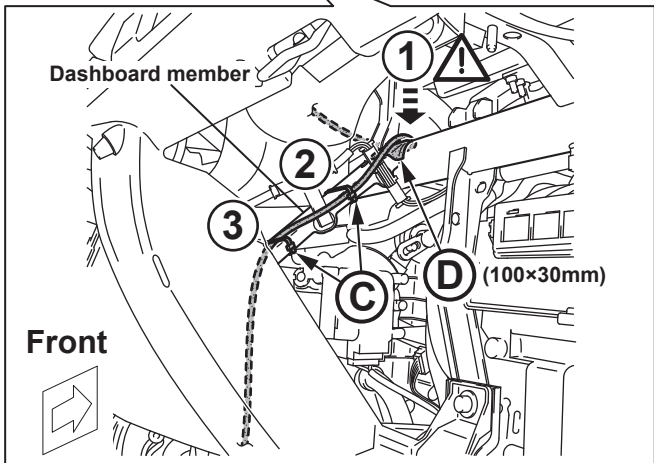
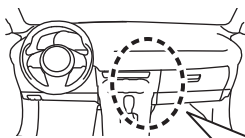
5



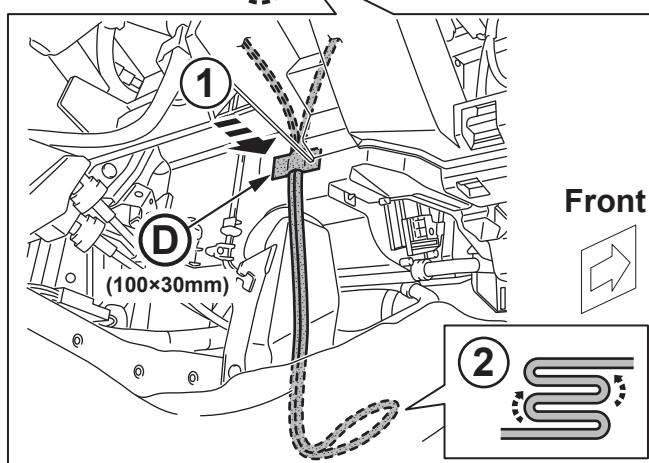
6



7



8

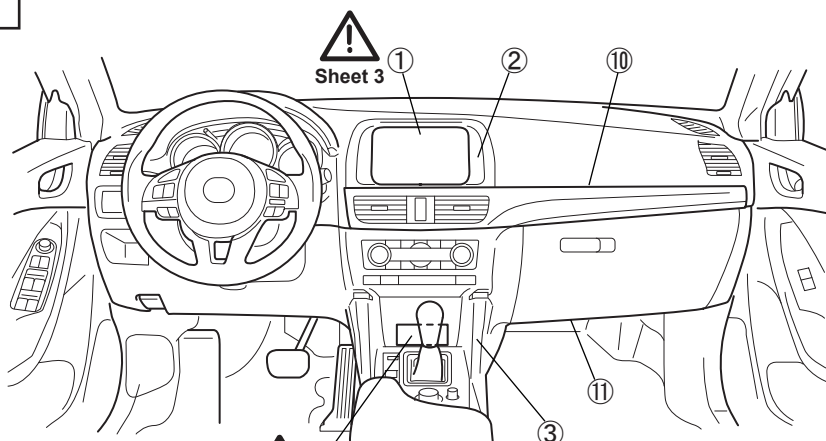


9

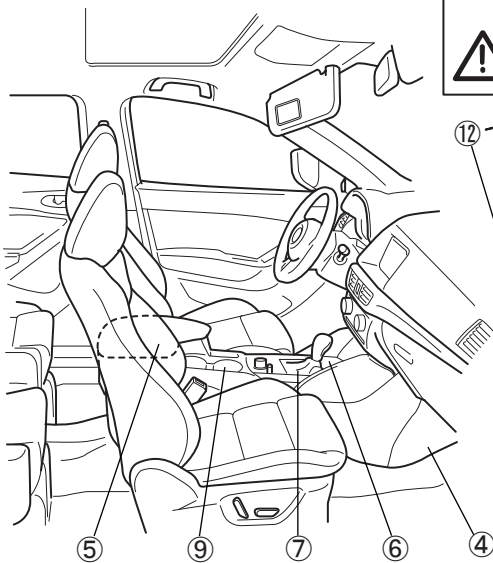
VEHICLE PART RE-INSTALLING



①~⑫



Sheet 3



⚠ "Required servicing after disconnecting/ connecting negative battery cable"

10

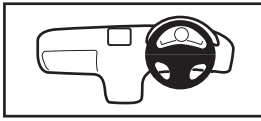
OPERATION CHECK



Common-P5
5. OPERATION CHECK



MAZDA CX-5 (KE/GH) [Sheet 43 to 46]

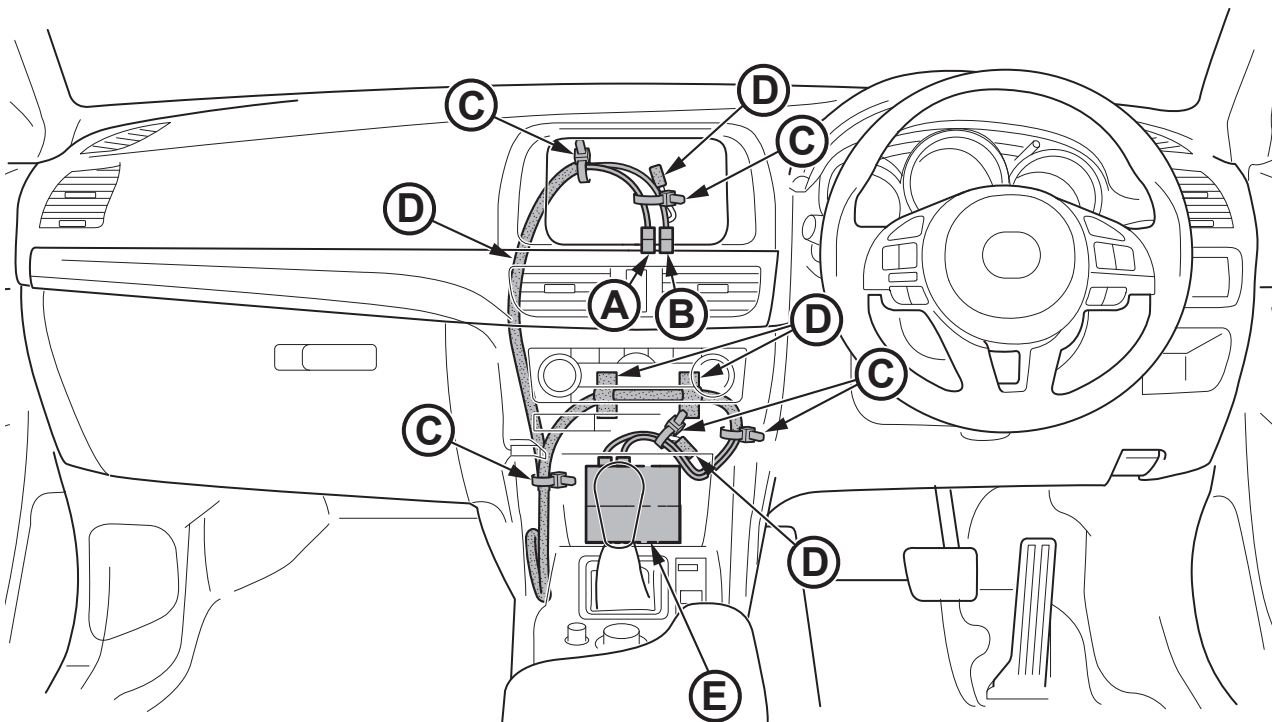


⚠ The firmware **MUST BE UPDATED FIRST before beginning the installation.**

If an older version of the CMU software is being used, the CarPlay/Android Auto-compatible USB hub may not be recognized.

The software must be v70.00.21 or later. If not be sure to update the software.

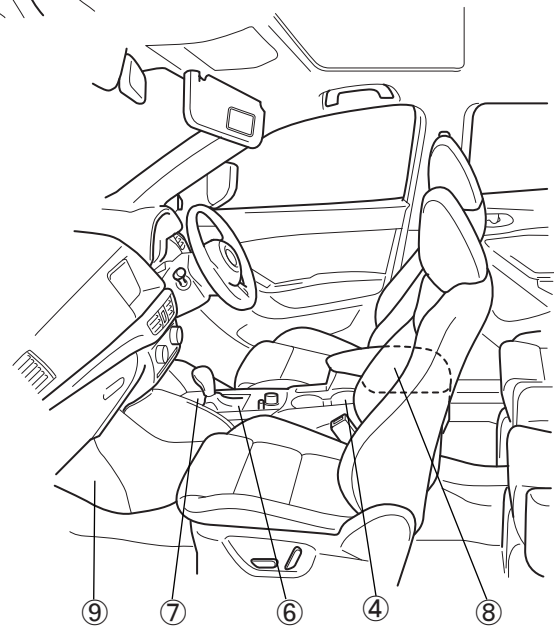
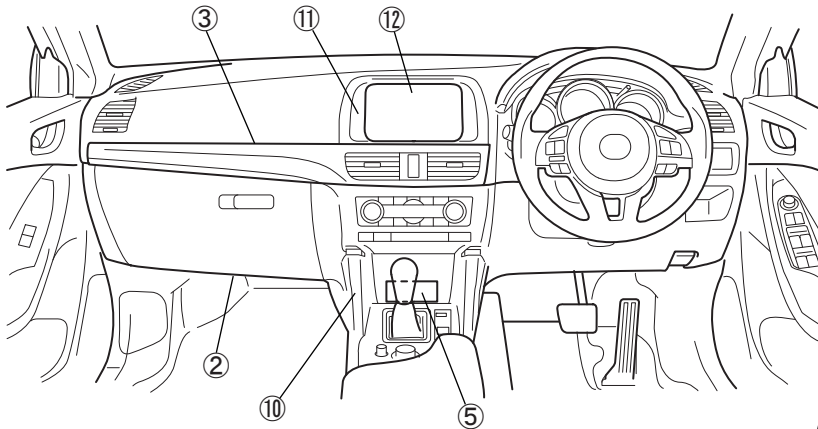
Once the CMU has been attached to the CarPlay/Android Auto-compatible USB hub, the software cannot be updated.



1 VEHICLE PART REMOVAL

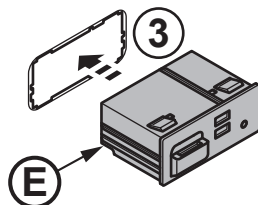
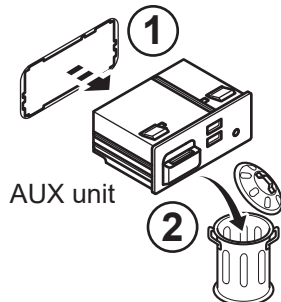
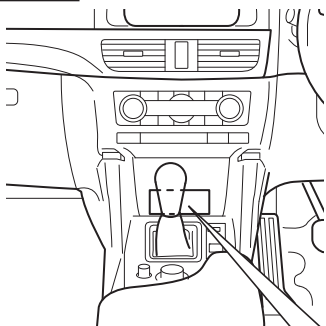


①~⑫

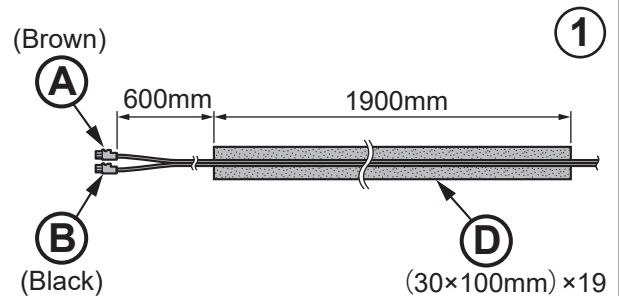
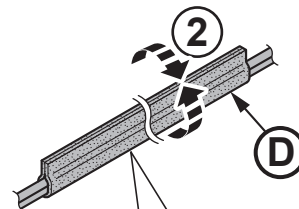


- ① Negative battery cable disconnection
- ② Glove compartment
- ③ Decoration panel
- ④ Upper panel
- ⑤ Shift lever knob (MTX) or Selector lever knob (ATX)
- ⑥ Shift panel
- ⑦ Front console box
- ⑧ Rear console
- ⑨ Passenger-side side wall
- ⑩ Front console
- ⑪ Center panel
- ⑫ Center display

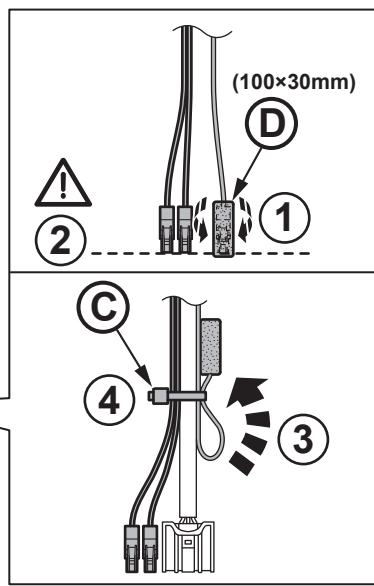
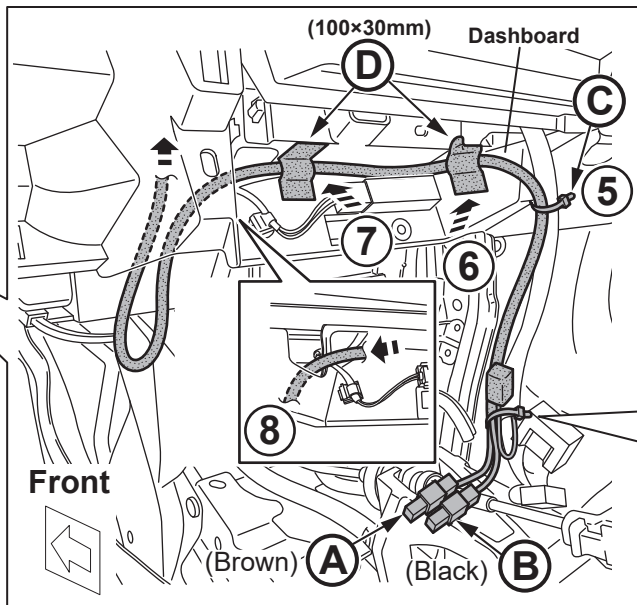
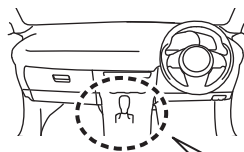
2



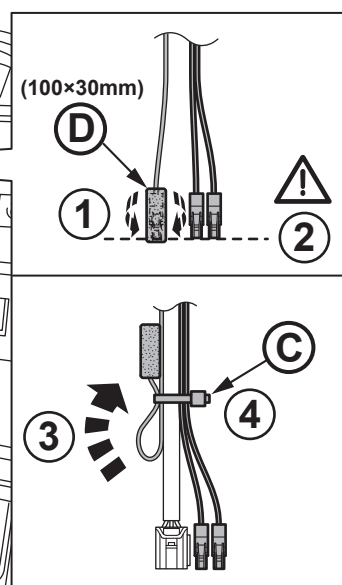
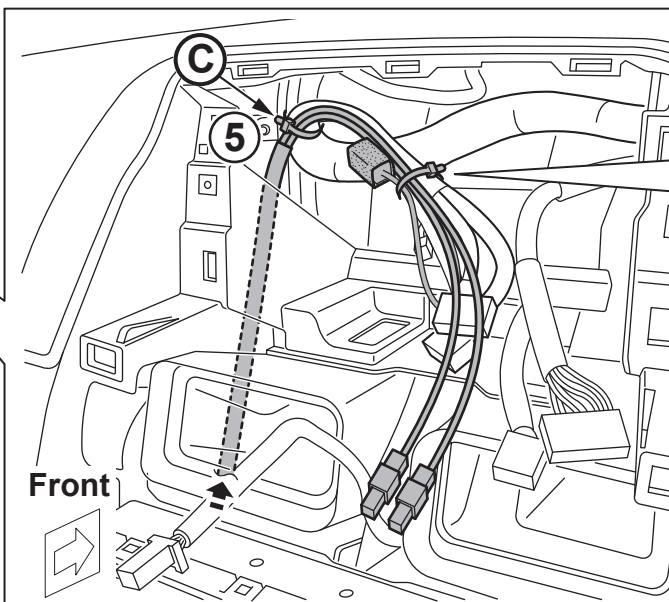
3



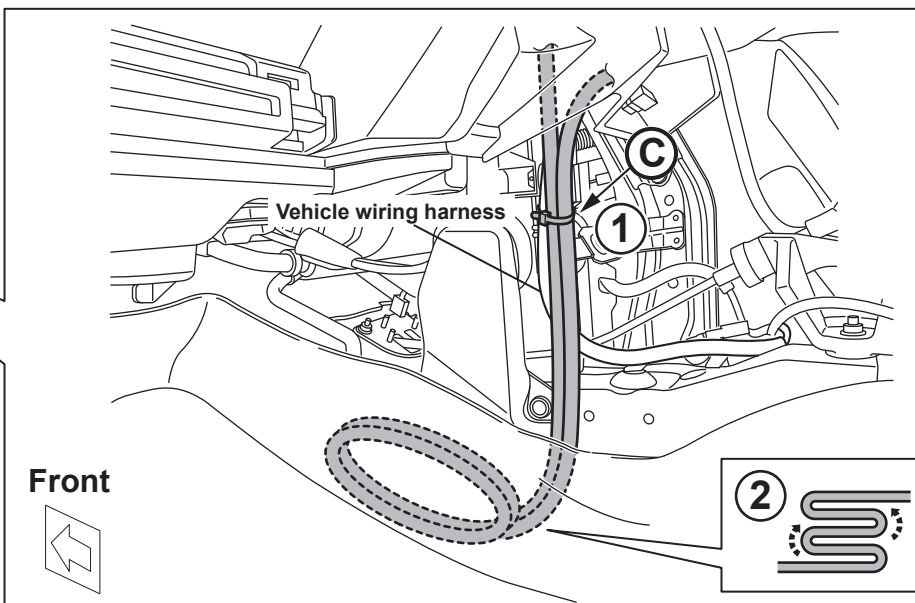
4



5



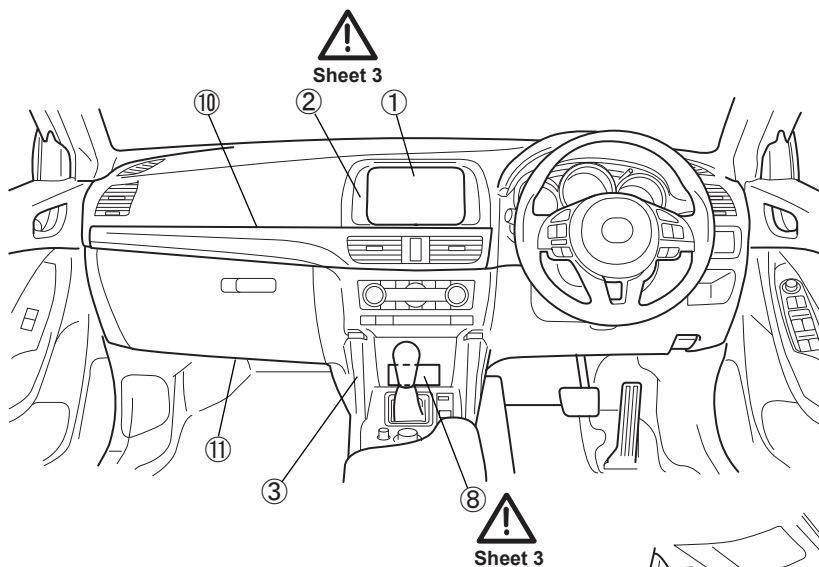
6



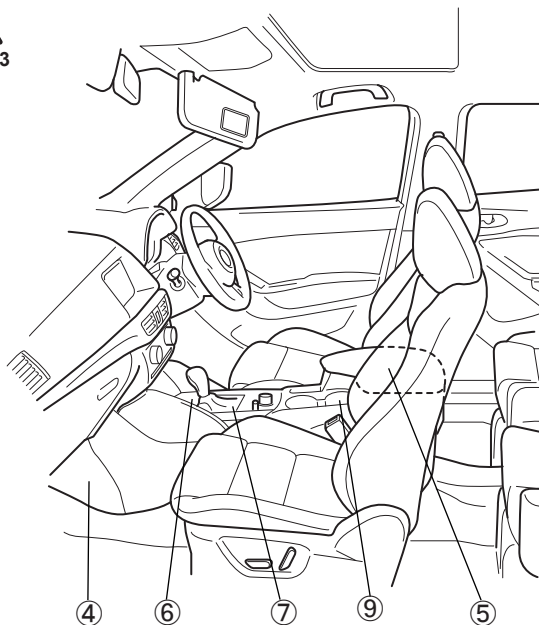
7 VEHICLE PART RE-INSTALLING



①~⑫



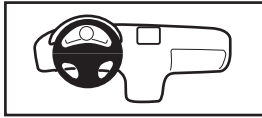
   ⑫
"Required servicing after disconnecting/
connecting negative battery cable"



8 OPERATION CHECK



Common-P5
5. OPERATION CHECK

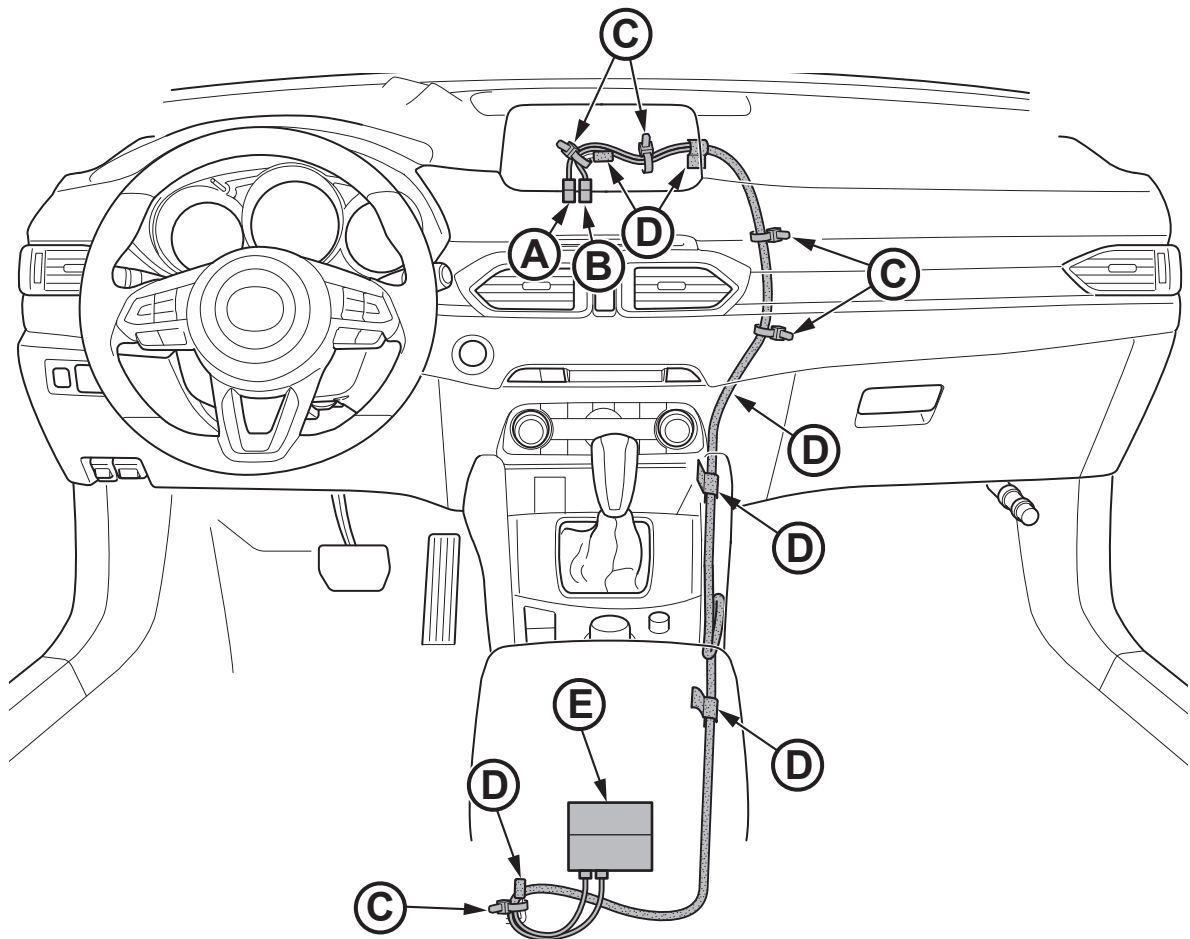
MAZDA CX-5 (KF) [Sheet 47 to 50]


⚠ The firmware **MUST BE UPDATED FIRST before beginning the installation.**

If an older version of the CMU software is being used, the CarPlay/Android Auto-compatible USB hub may not be recognized.

The software must be v70.00.21 or later. If not be sure to update the software.

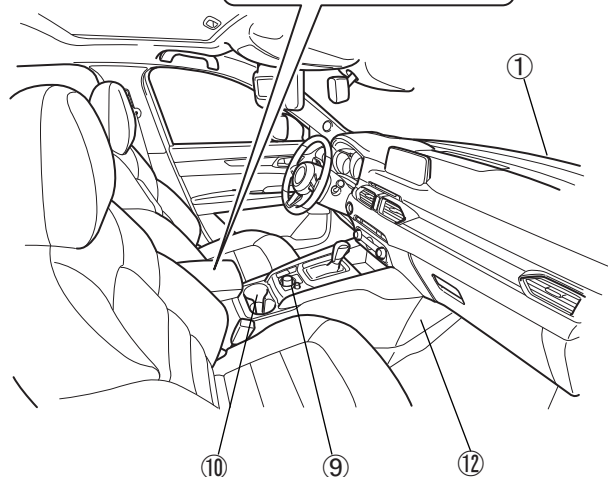
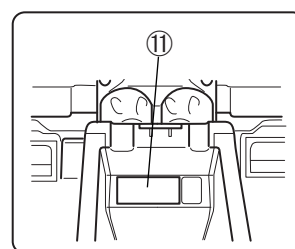
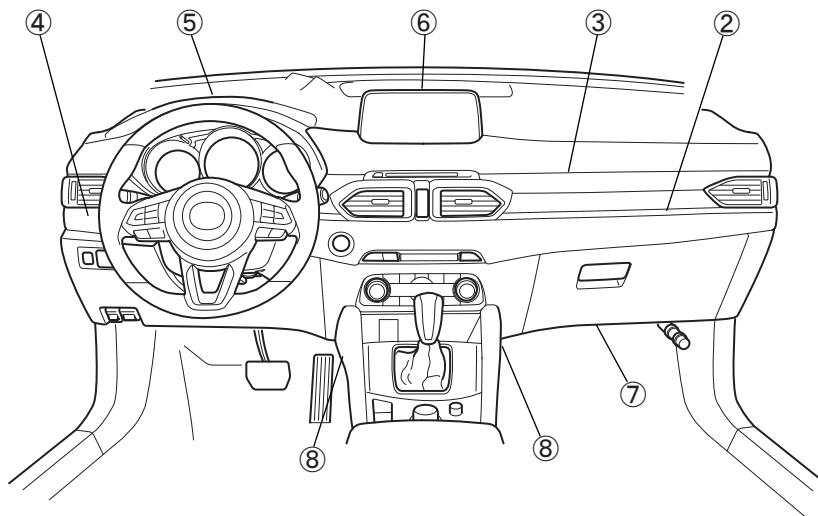
Once the CMU has been attached to the CarPlay/Android Auto-compatible USB hub, the software cannot be updated.



1 VEHICLE PART REMOVAL

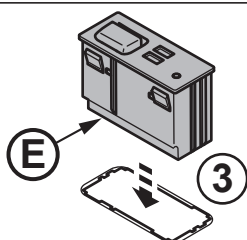
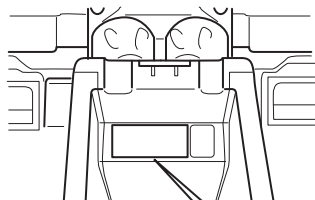


①~⑫

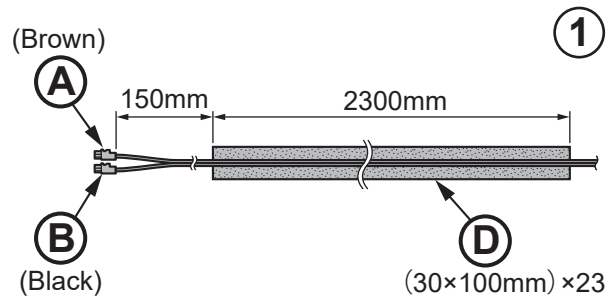
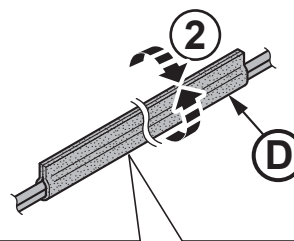


- ① Negative battery cable disconnection
- ② Lower decoration panel
- ③ Upper decoration panel
- ④ Driver-side decoration panel
- ⑤ Meter hood No.1
- ⑥ Center display
- ⑦ Glove compartment
- ⑧ Driver-side/passenger-side console side panel
- ⑨ Switch panel
- ⑩ Cup holder
- ⑪ Console up
- ⑫ Passenger-side side wall

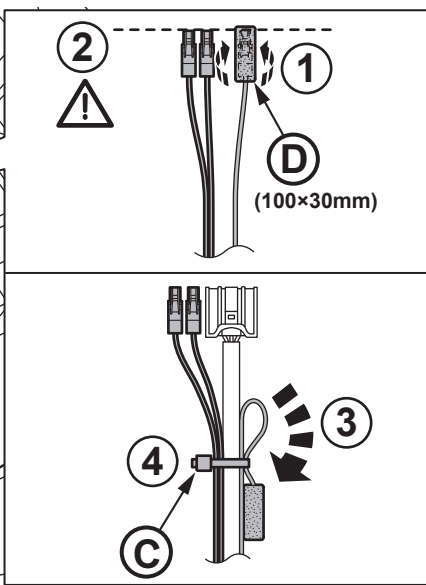
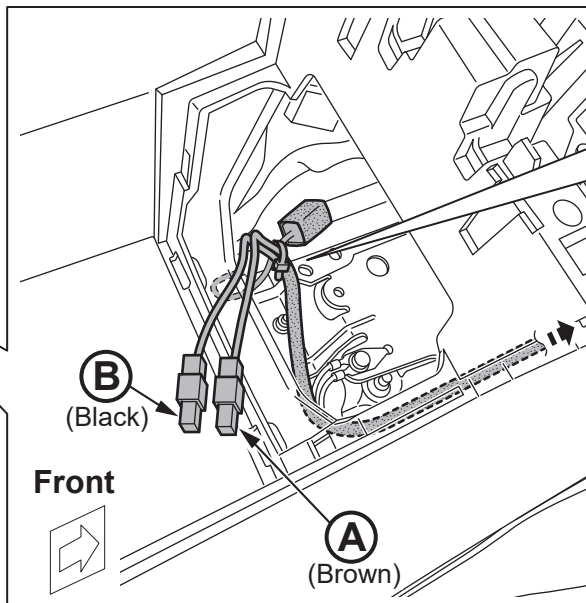
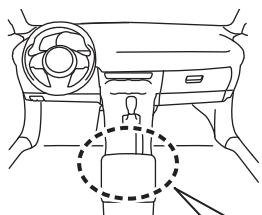
2



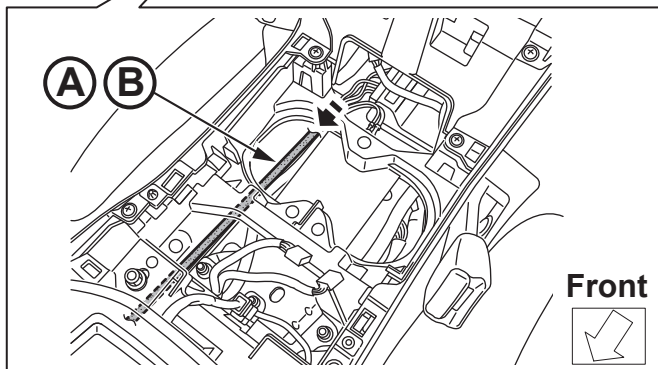
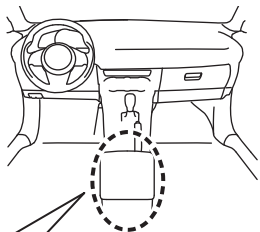
3



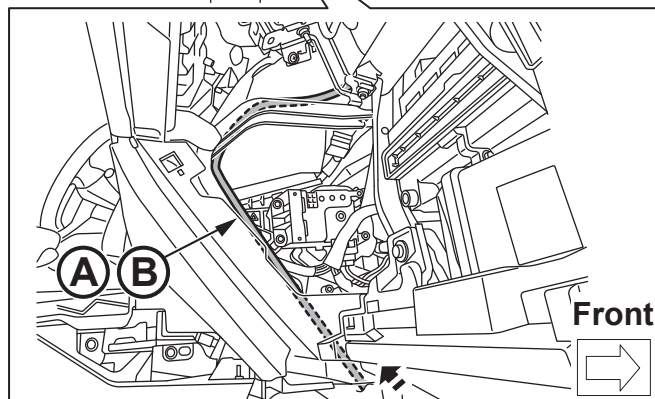
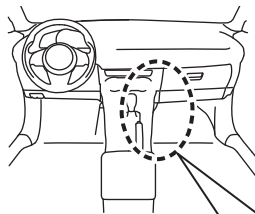
4



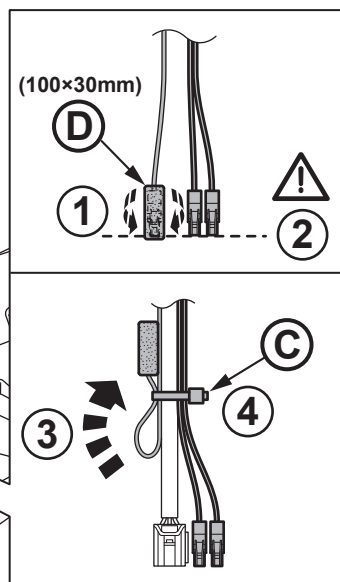
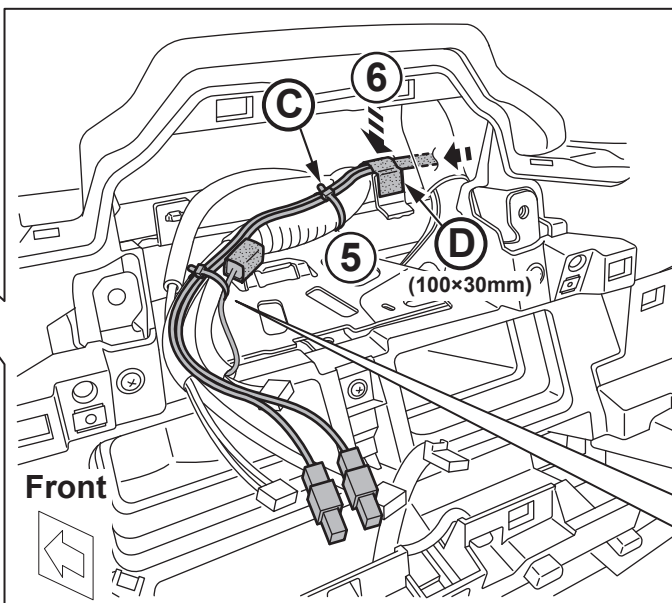
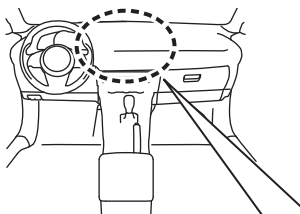
5



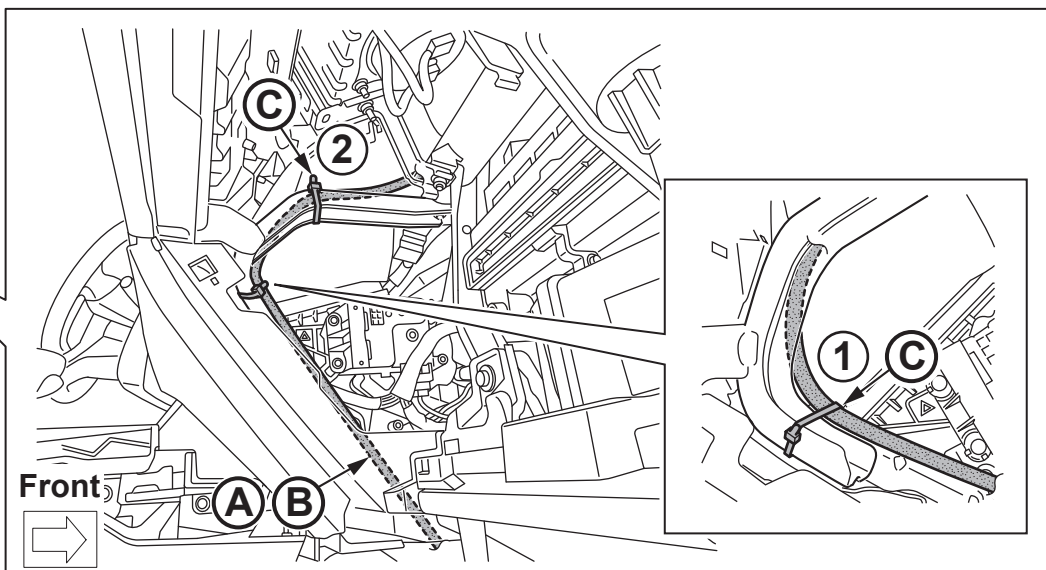
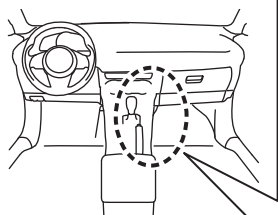
6



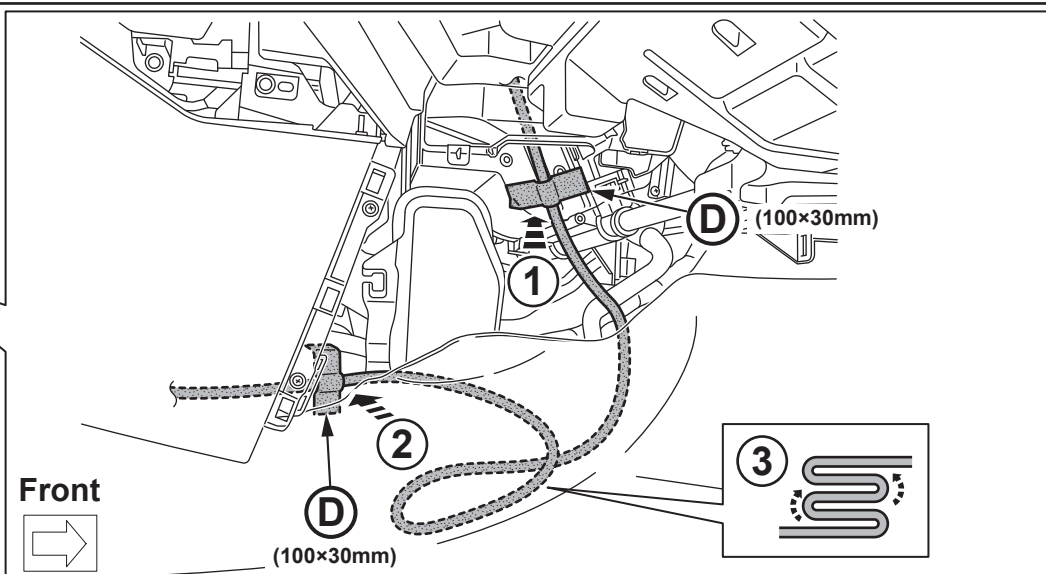
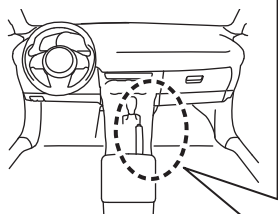
7



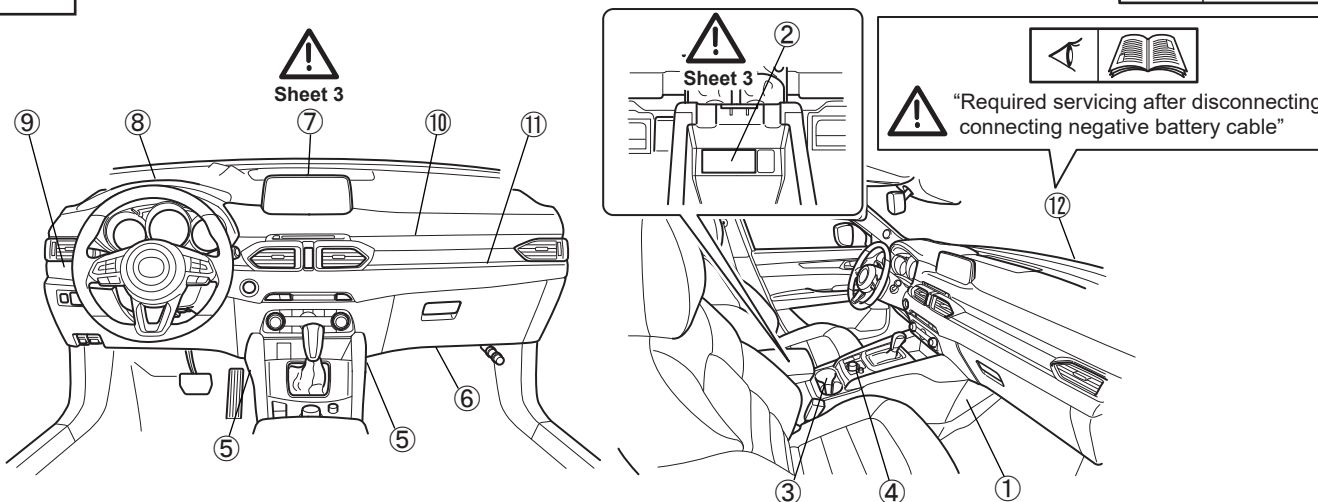
8



9



10 VEHICLE PART RE-INSTALLING

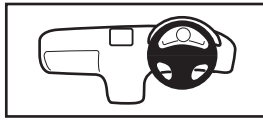


11 OPERATION CHECK



Common-P5
5. OPERATION CHECK



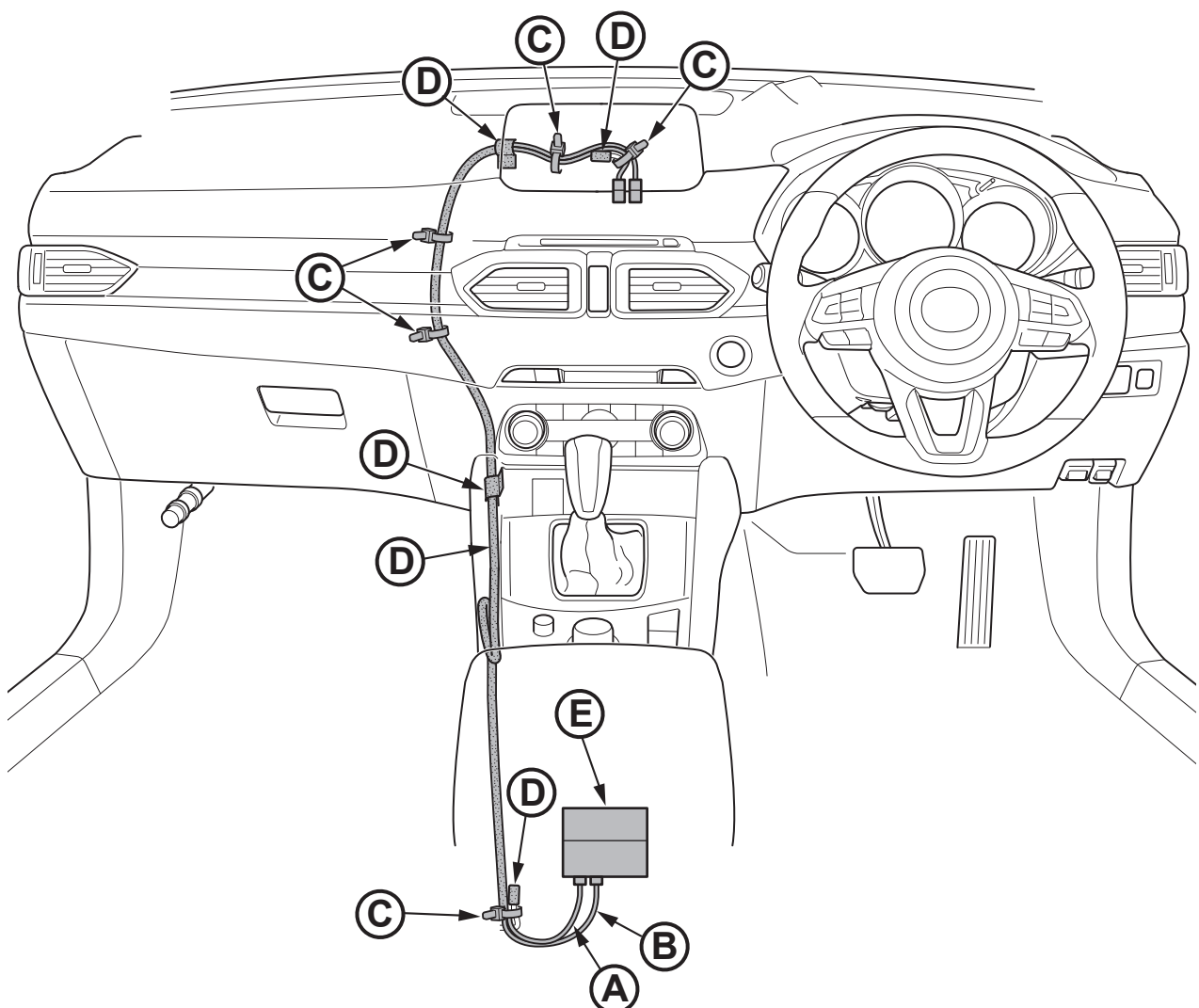
MAZDA CX-5 (KF) [Sheet 51 to 54]


⚠ The firmware **MUST BE UPDATED FIRST before beginning the installation.**

If an older version of the CMU software is being used, the CarPlay/Android Auto-compatible USB hub may not be recognized.

The software must be v70.00.21 or later. If not be sure to update the software.

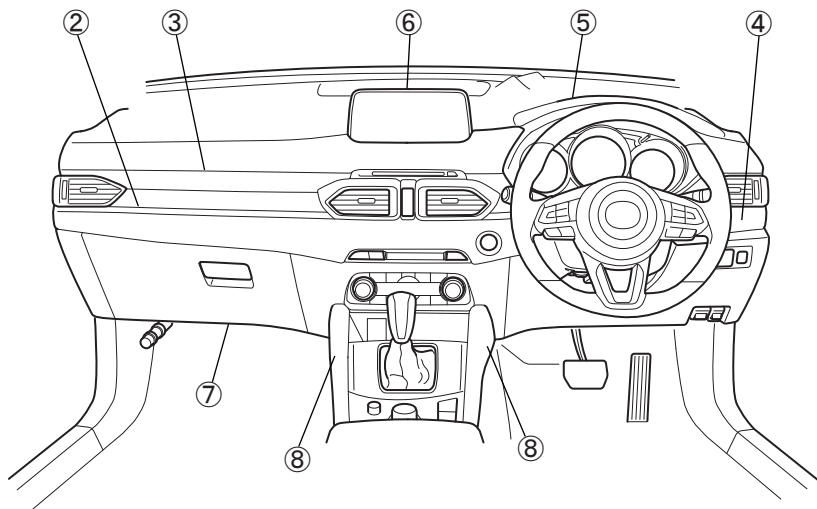
Once the CMU has been attached to the CarPlay/Android Auto-compatible USB hub, the software cannot be updated.



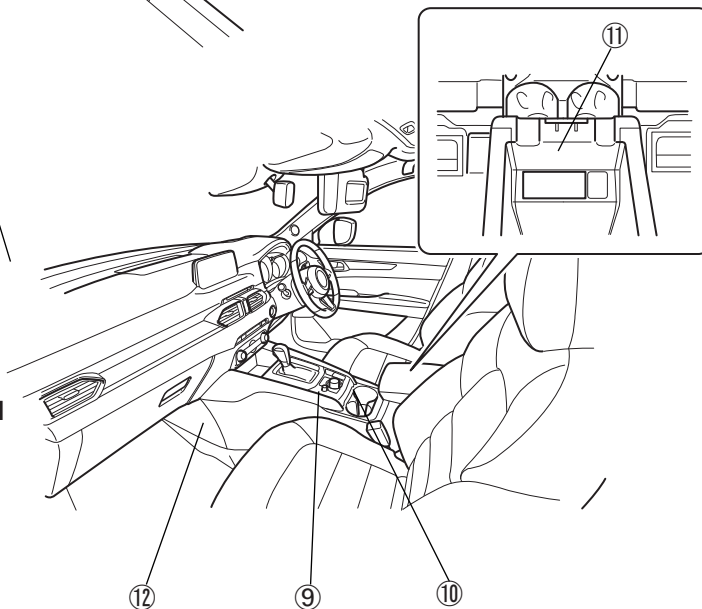
1 VEHICLE PART REMOVAL



①~⑫

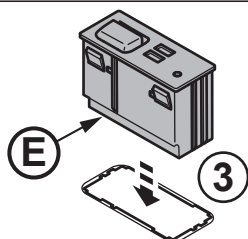
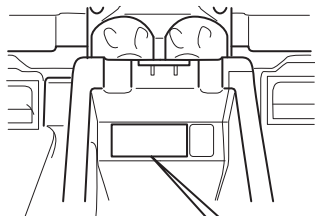


①

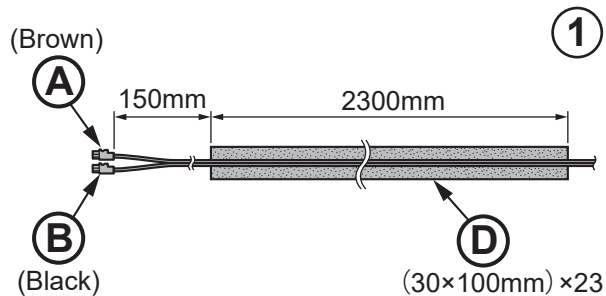
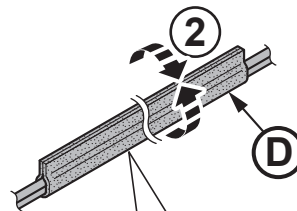


- ① Negative battery cable disconnection
- ② Lower decoration panel
- ③ Upper decoration panel
- ④ Driver-side decoration panel
- ⑤ Meter hood No.1
- ⑥ Center display
- ⑦ Glove compartment
- ⑧ Driver-side/passenger-side console side panel
- ⑨ Switch panel
- ⑩ Cup holder
- ⑪ Console up
- ⑫ Passenger-side side wall

2

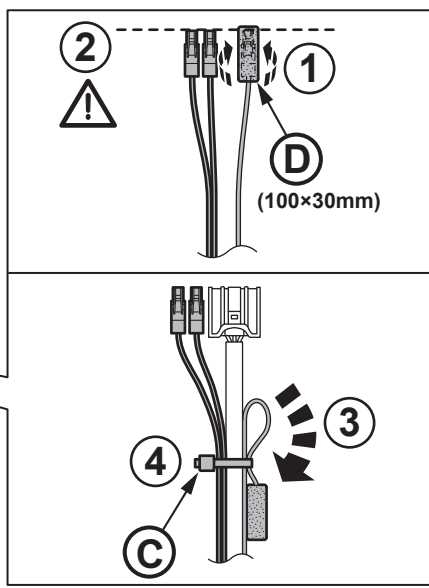
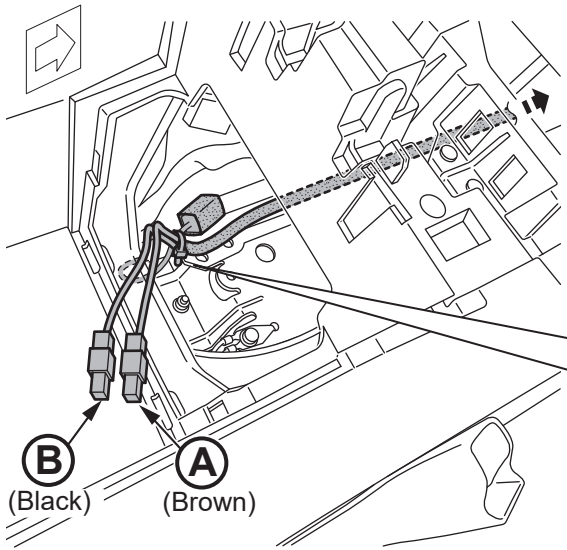
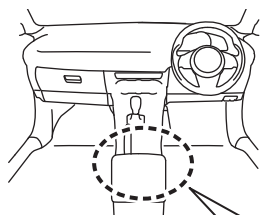


3

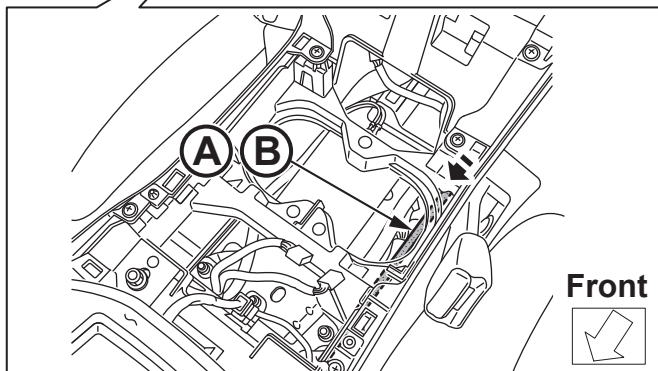
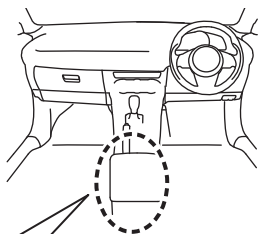


4

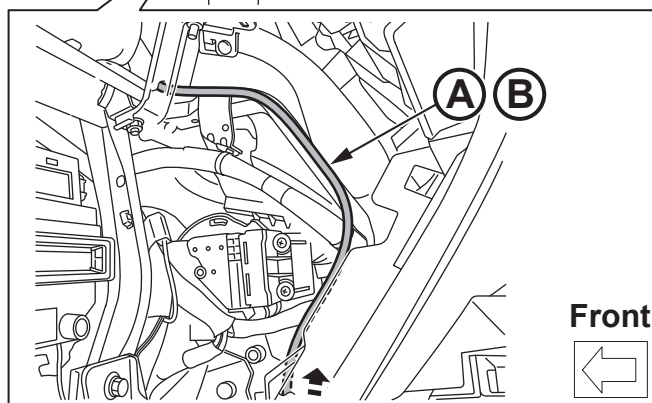
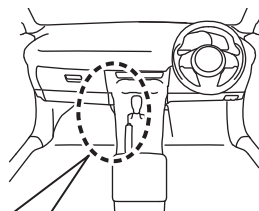
Front



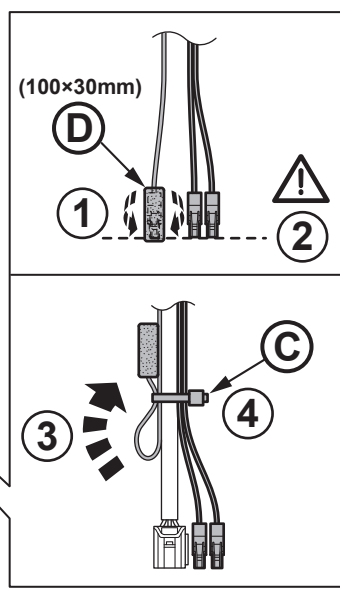
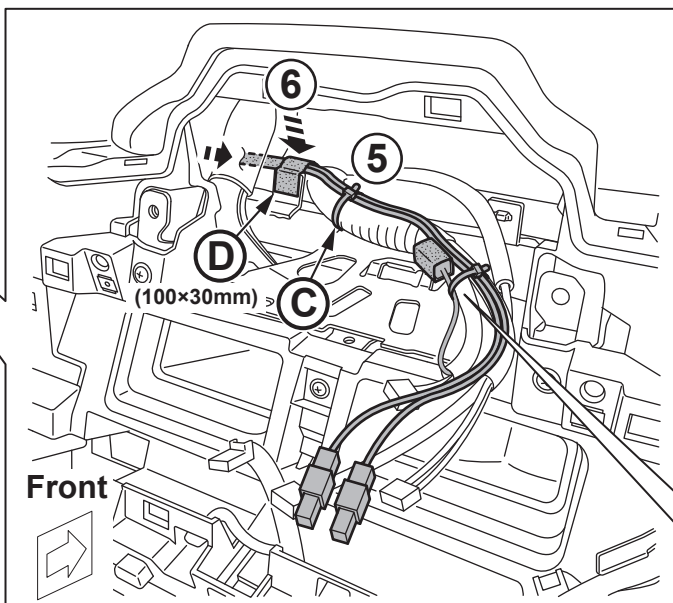
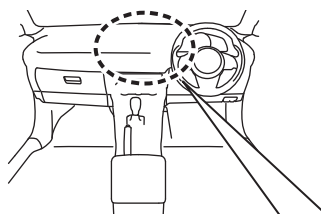
5



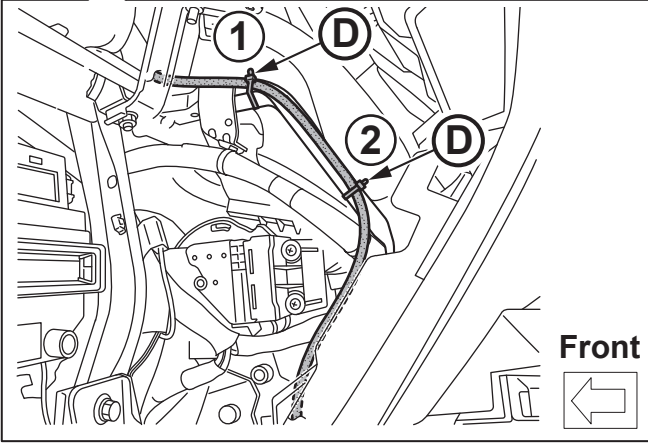
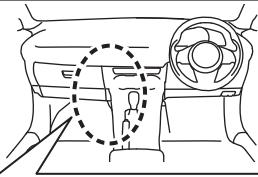
6



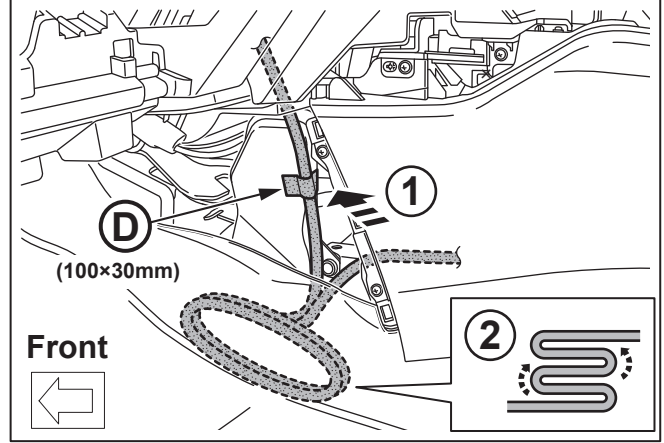
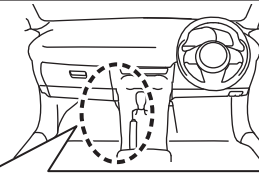
7



8



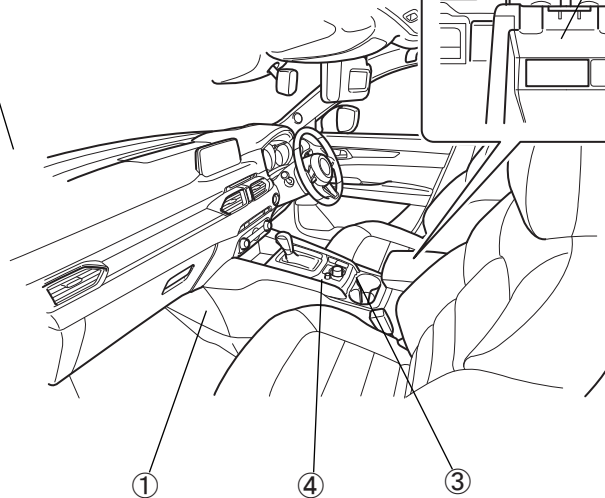
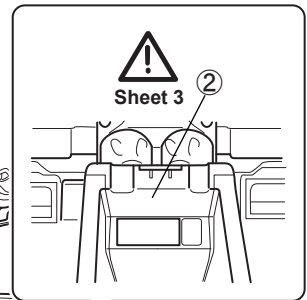
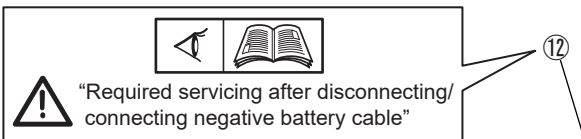
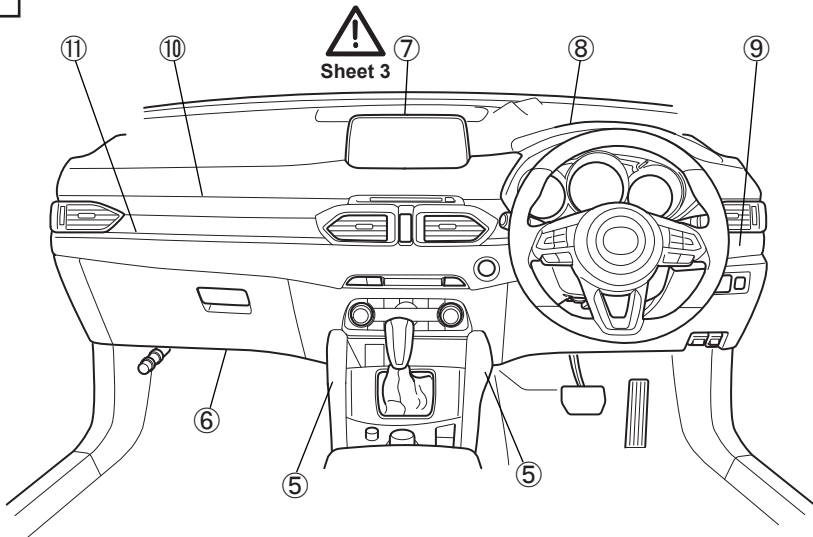
9



10 VEHICLE PART RE-INSTALLING



①~⑫

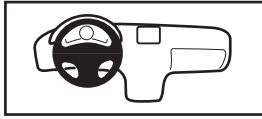


11 OPERATION CHECK



Common-P5
5. OPERATION CHECK



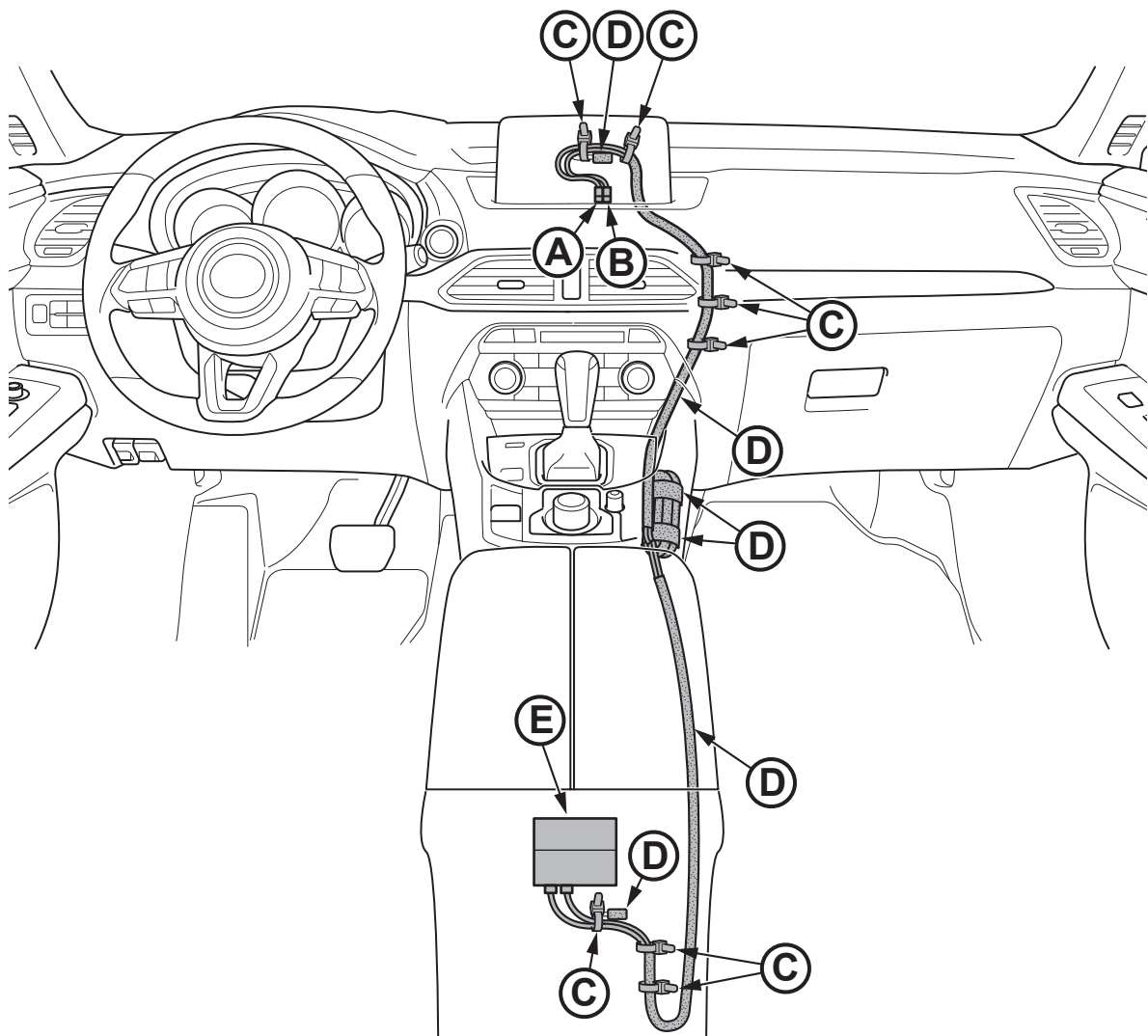
MAZDA CX-9 (TB) [Sheet 55 to 59]


⚠ The firmware **MUST BE UPDATED FIRST before beginning the installation.**

If an older version of the CMU software is being used, the CarPlay/Android Auto-compatible USB hub may not be recognized.

The software must be v70.00.21 or later. If not be sure to update the software.

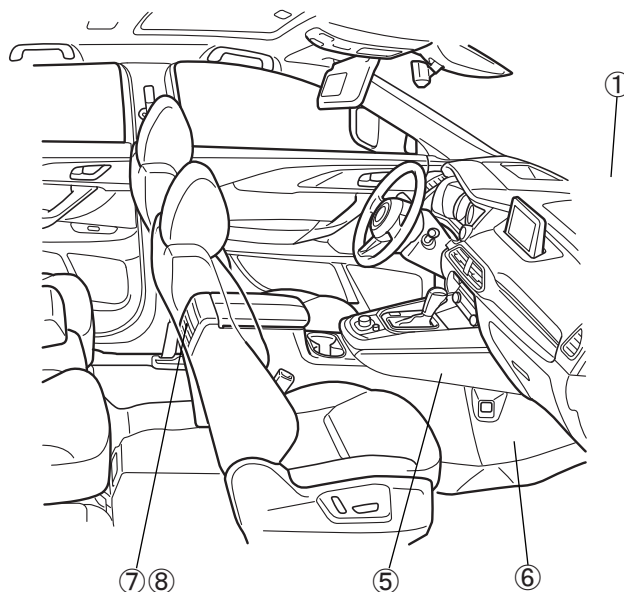
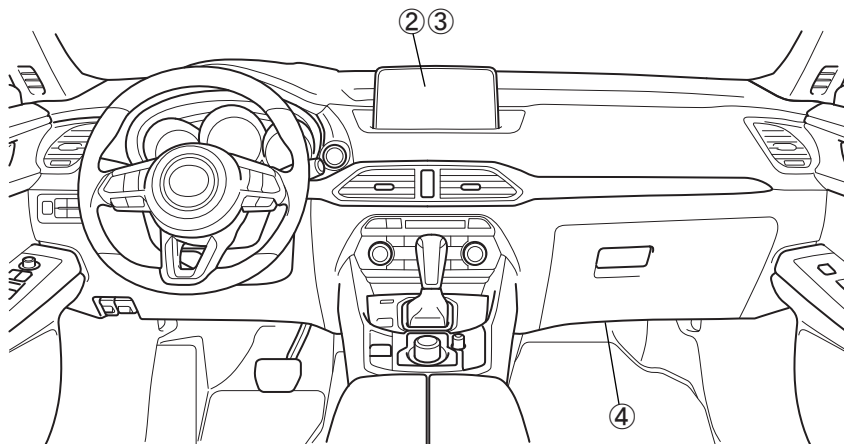
Once the CMU has been attached to the CarPlay/Android Auto-compatible USB hub, the software cannot be updated.



1 VEHICLE PART REMOVAL

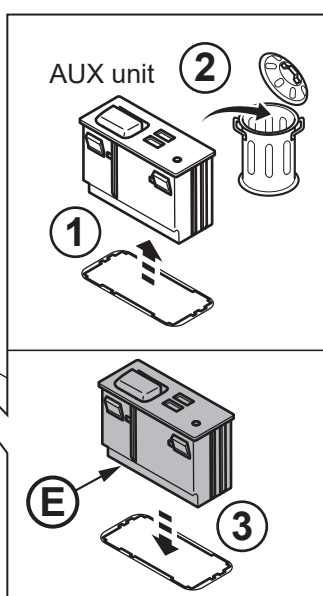
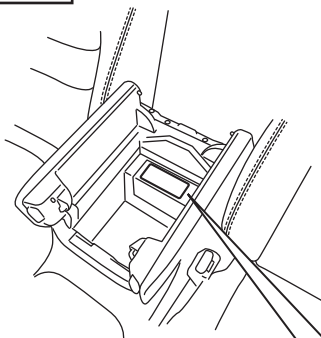


①~⑧

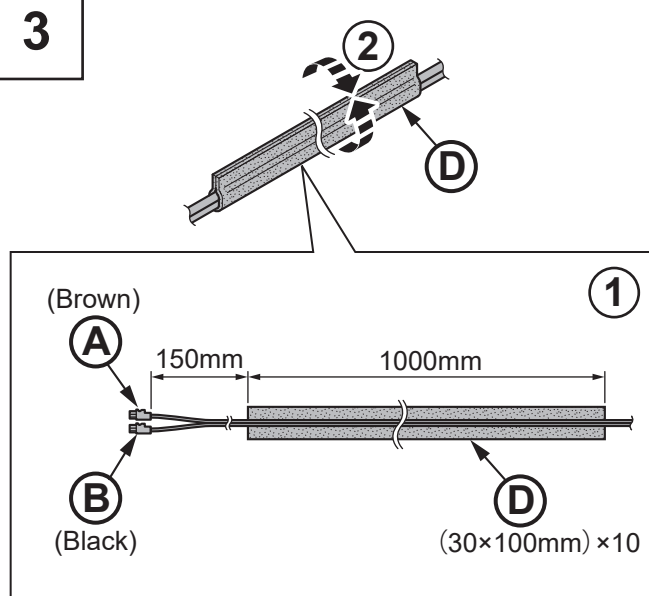


- ① Negative battery cable disconnection
- ② Center display
- ③ Connectivity master unit (CMU)
- ④ Glove compartment
- ⑤ Passenger-side console side panel
- ⑥ Passenger-side side wall
- ⑦ Rear console panel
- ⑧ Rear heater duct

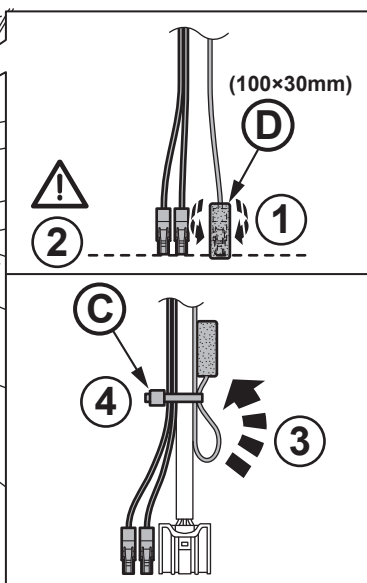
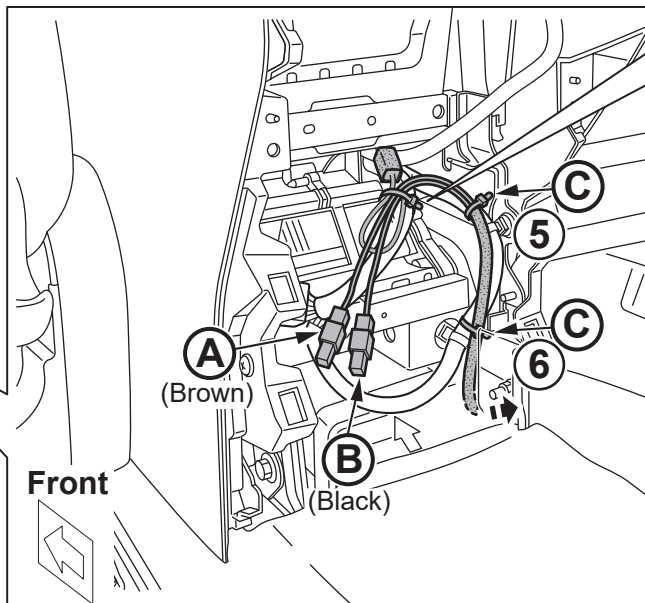
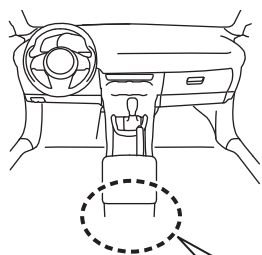
2



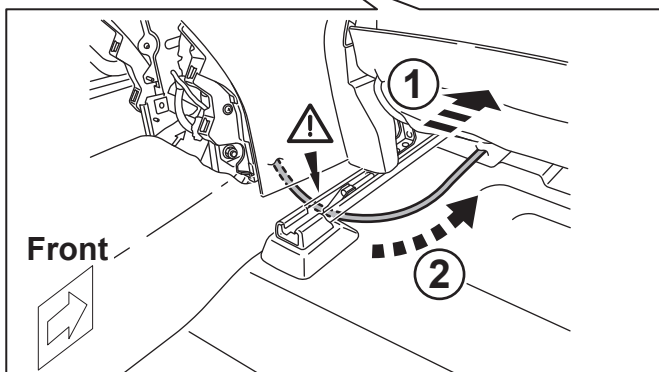
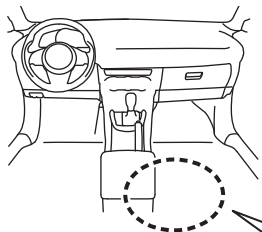
3



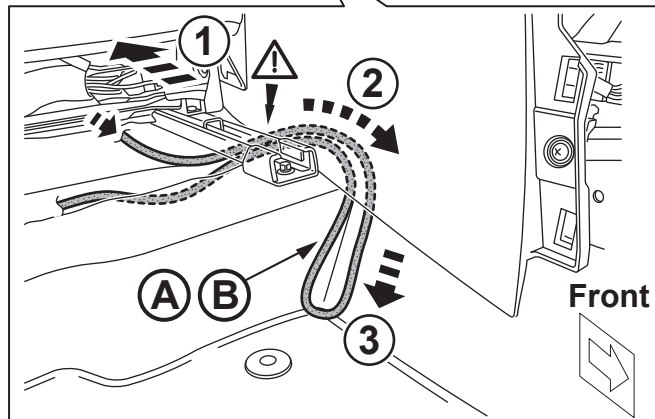
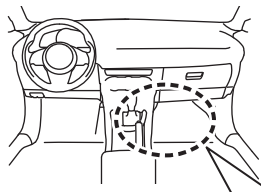
4



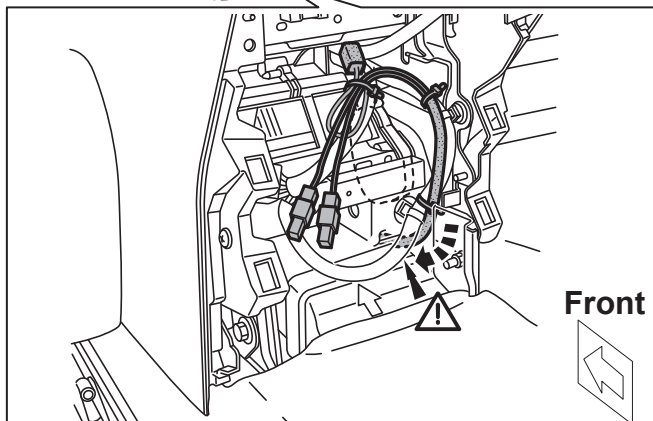
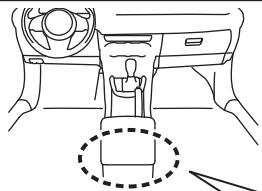
5



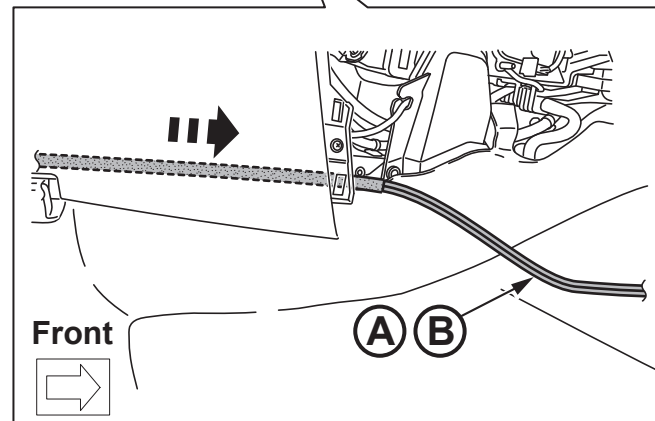
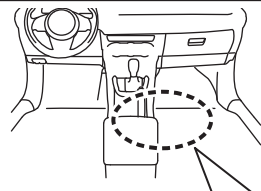
6



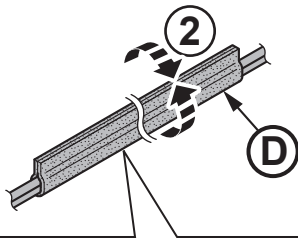
7



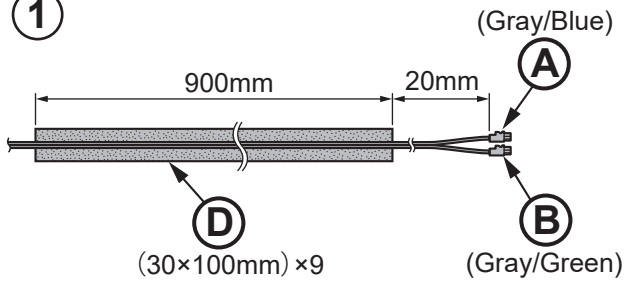
8



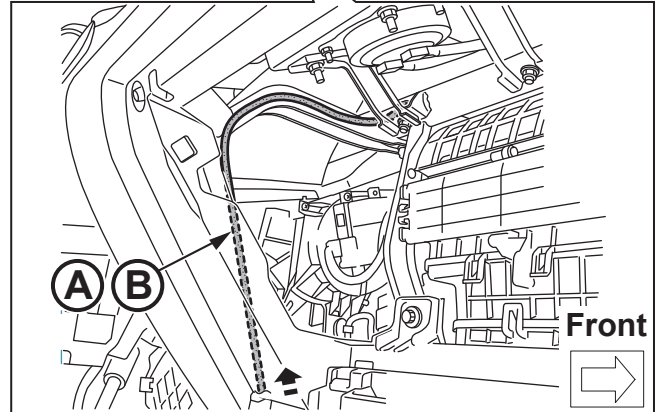
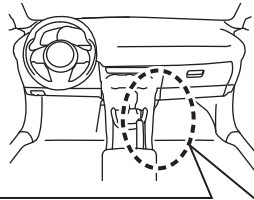
9



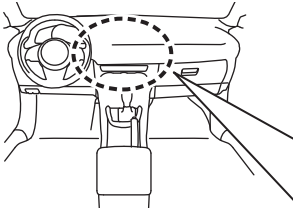
1



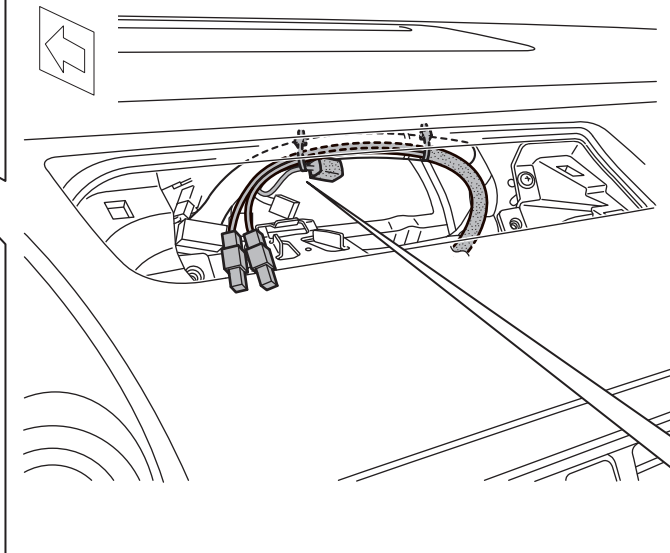
10



11



Front



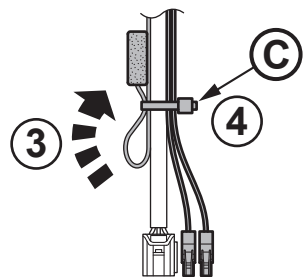
(100x30mm)

D

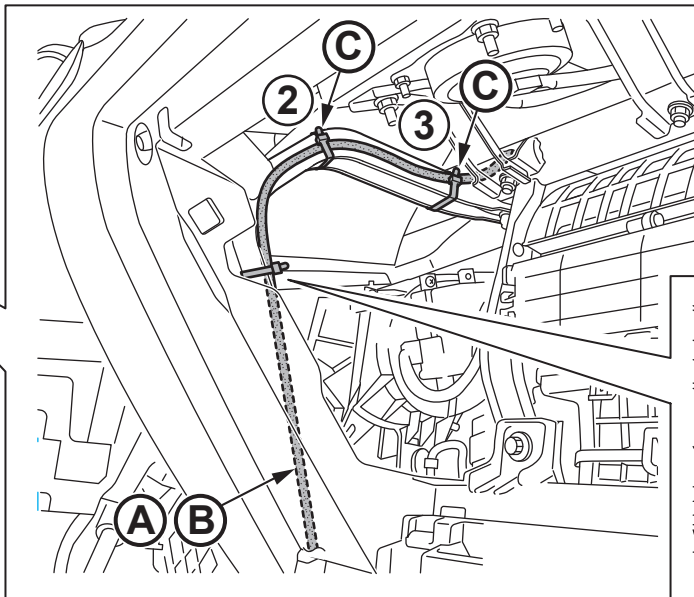
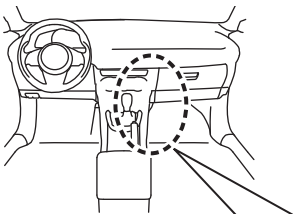
1



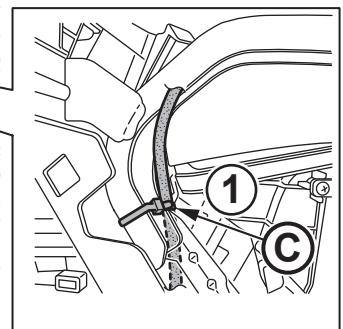
2



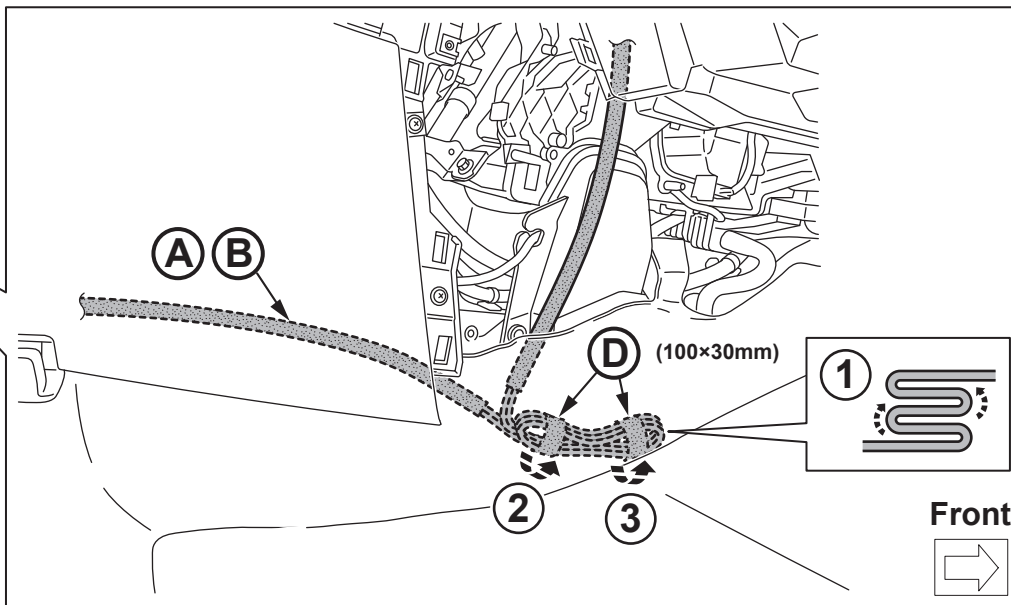
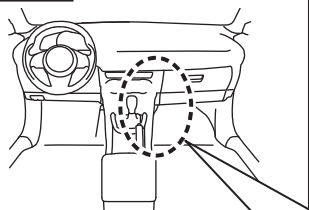
12



Front



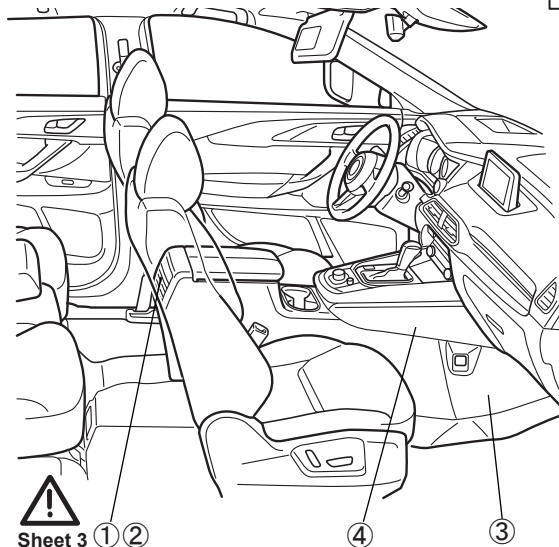
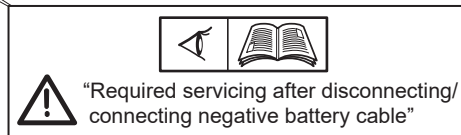
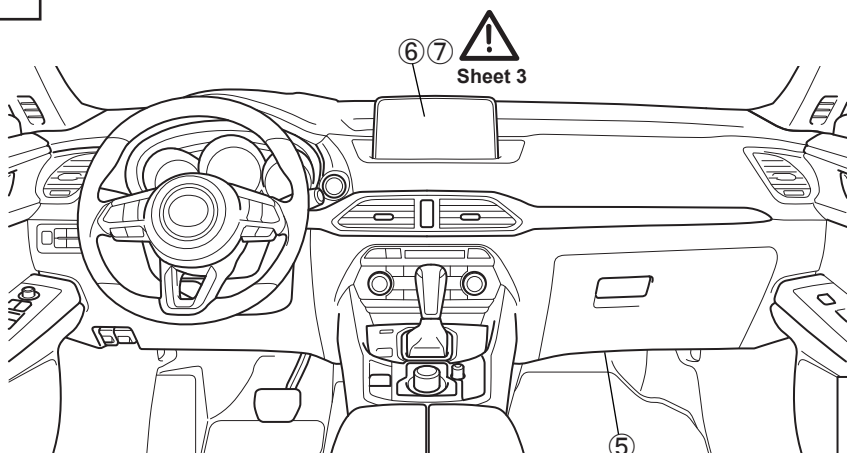
13



14 VEHICLE PART RE-INSTALLING



①~⑧

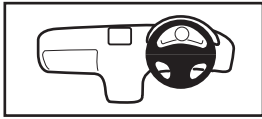


15 OPERATION CHECK



Common-P5
5. OPERATION CHECK



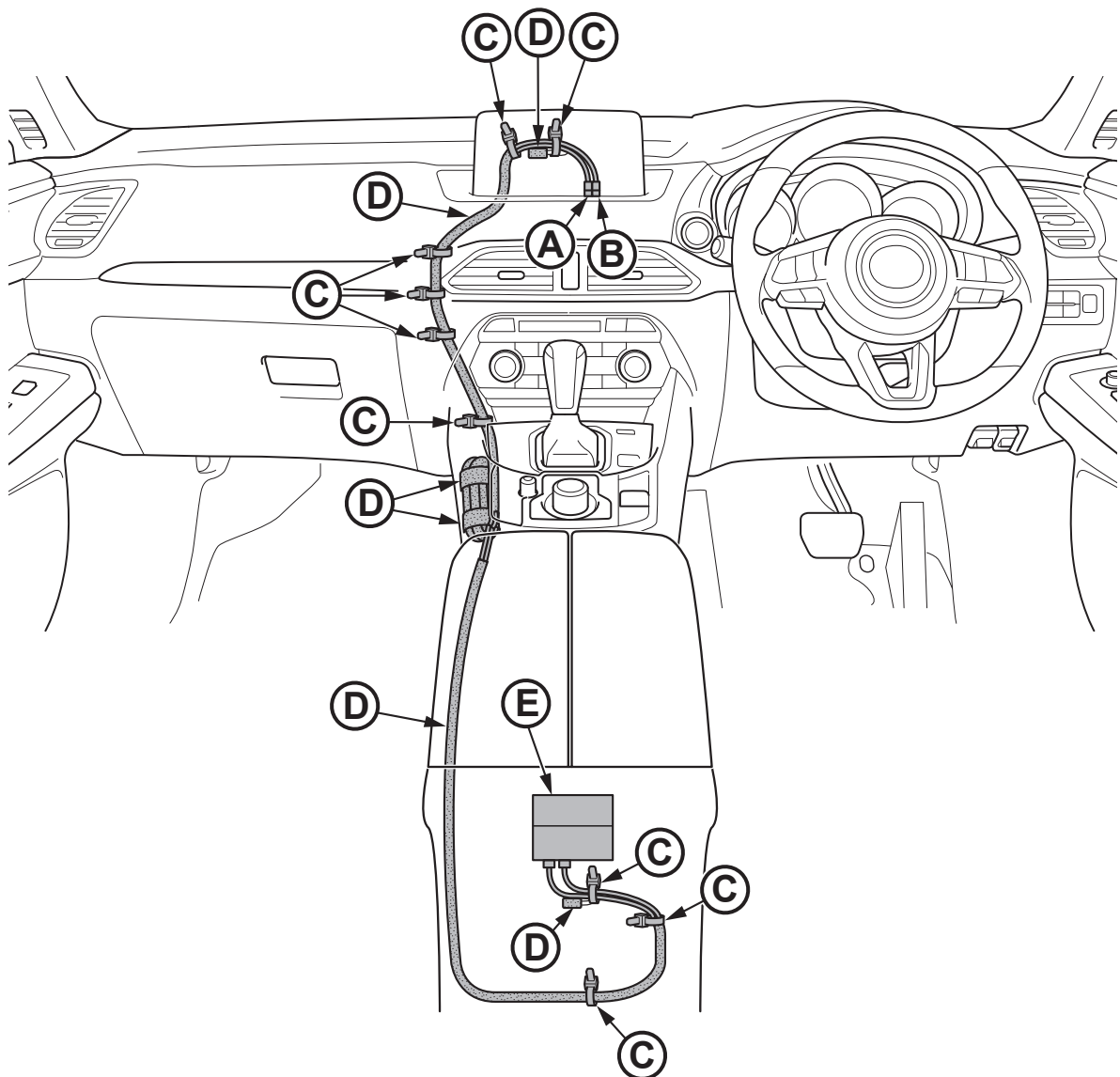
MAZDA CX-9 (TB) [Sheet 60 to 64]


⚠ The firmware **MUST BE UPDATED FIRST before beginning the installation.**

If an older version of the CMU software is being used, the CarPlay/Android Auto-compatible USB hub may not be recognized.

The software must be v70.00.21 or later. If not be sure to update the software.

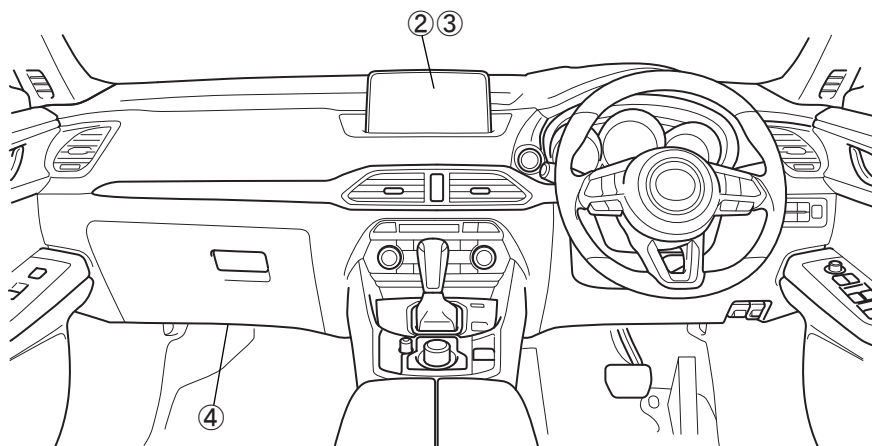
Once the CMU has been attached to the CarPlay/Android Auto-compatible USB hub, the software cannot be updated.



1 VEHICLE PART REMOVAL

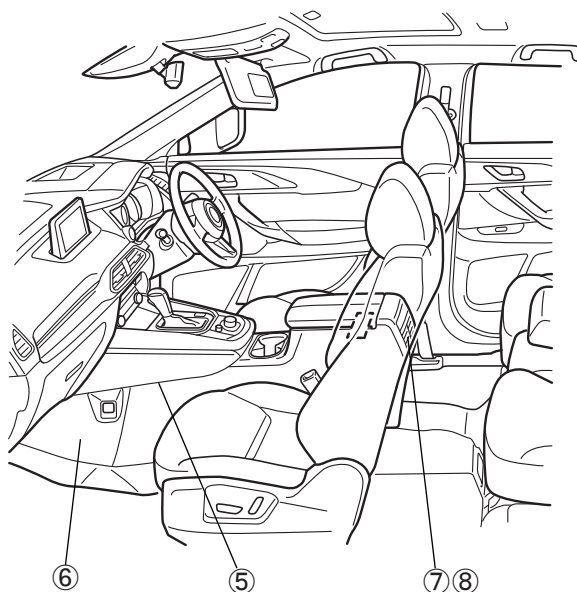


①~⑧

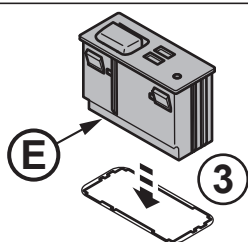
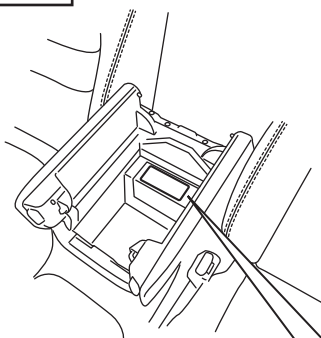


①

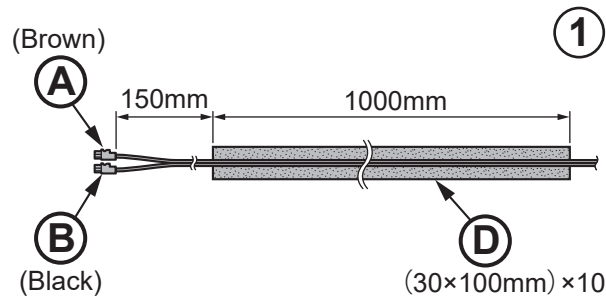
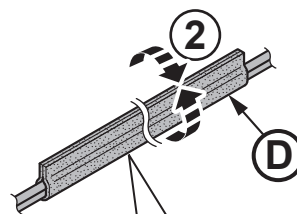
- ① Negative battery cable disconnection
- ② Center display
- ③ Connectivity master unit (CMU)
- ④ Glove compartment
- ⑤ Passenger-side console side panel
- ⑥ Passenger-side side wall
- ⑦ Rear console panel
- ⑧ Rear heater duct



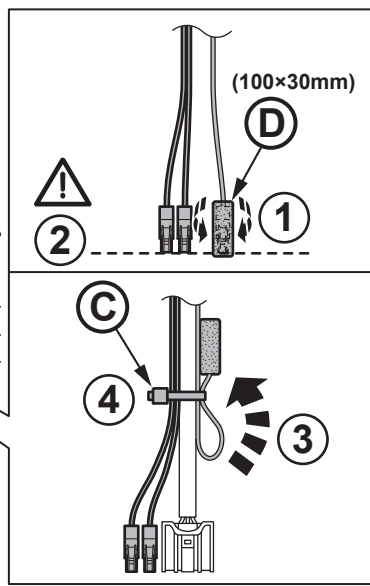
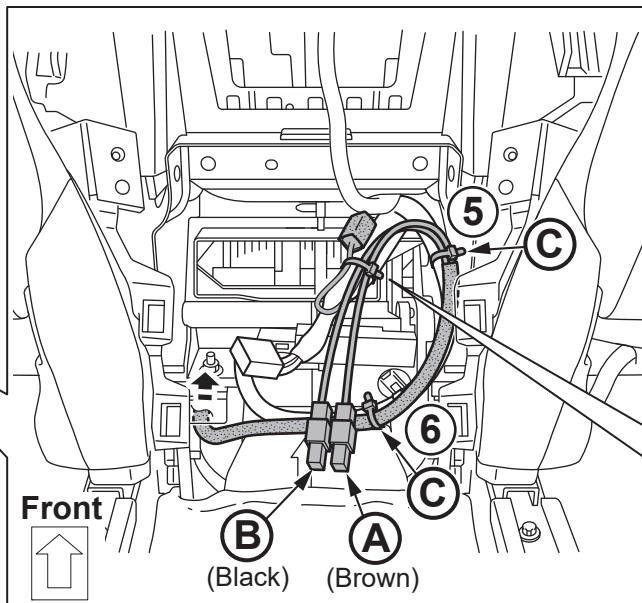
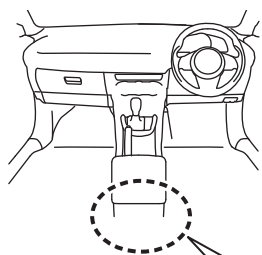
2



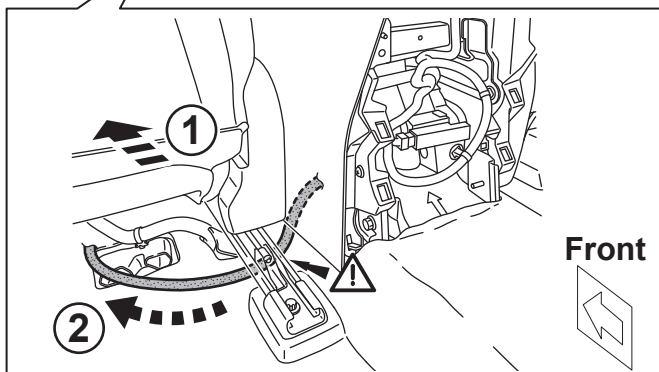
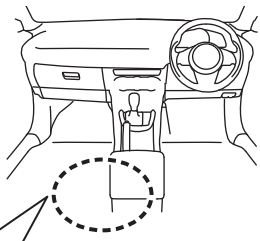
3



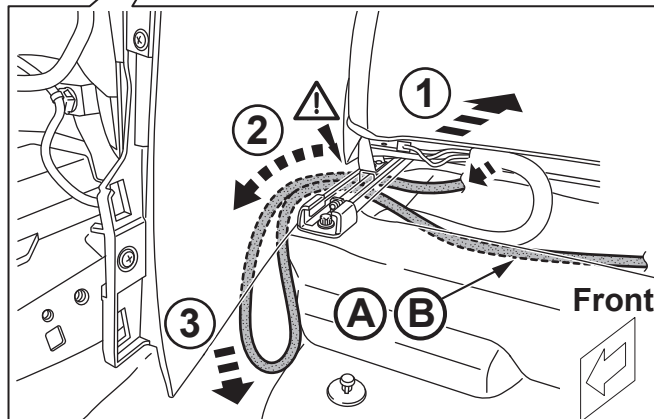
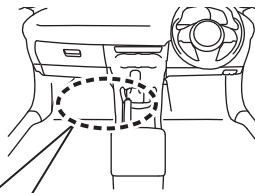
4



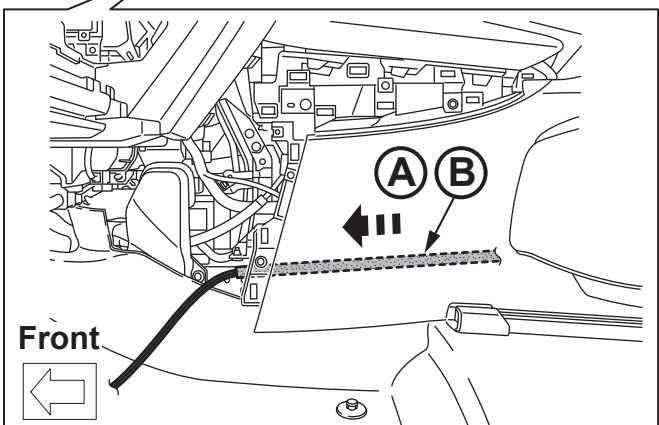
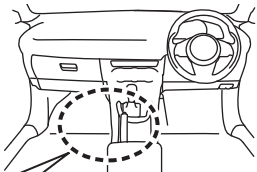
5



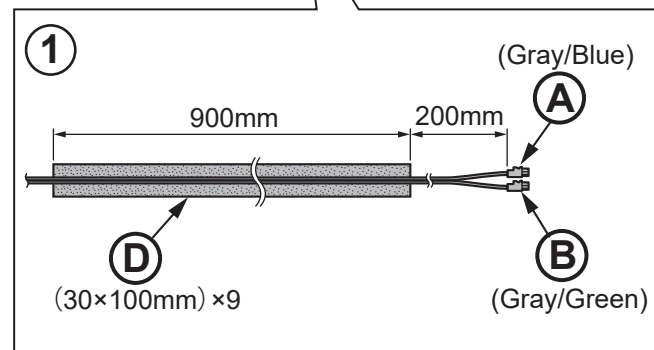
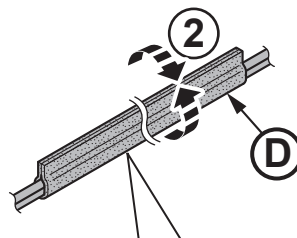
6



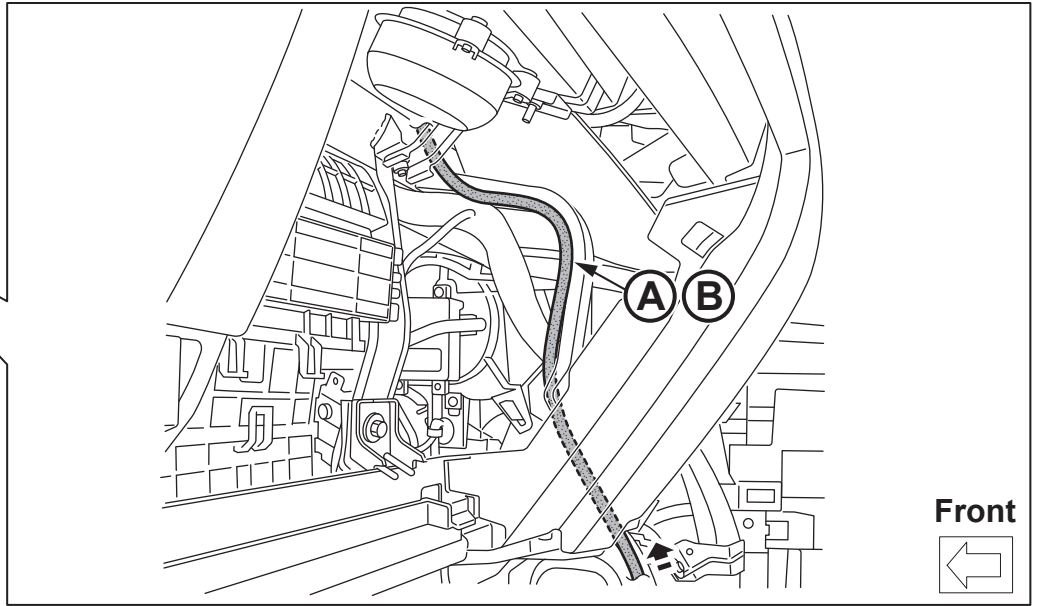
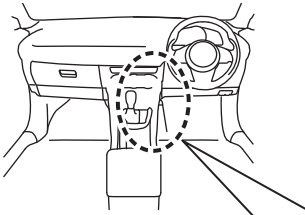
7



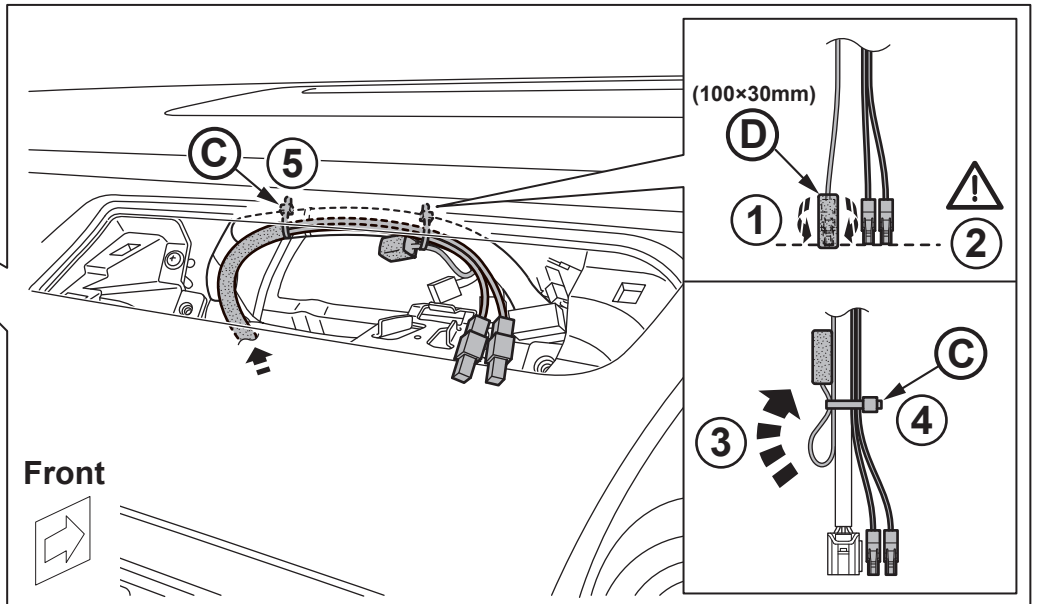
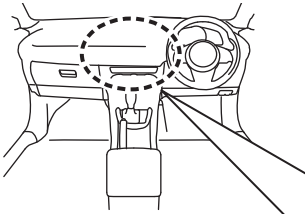
8



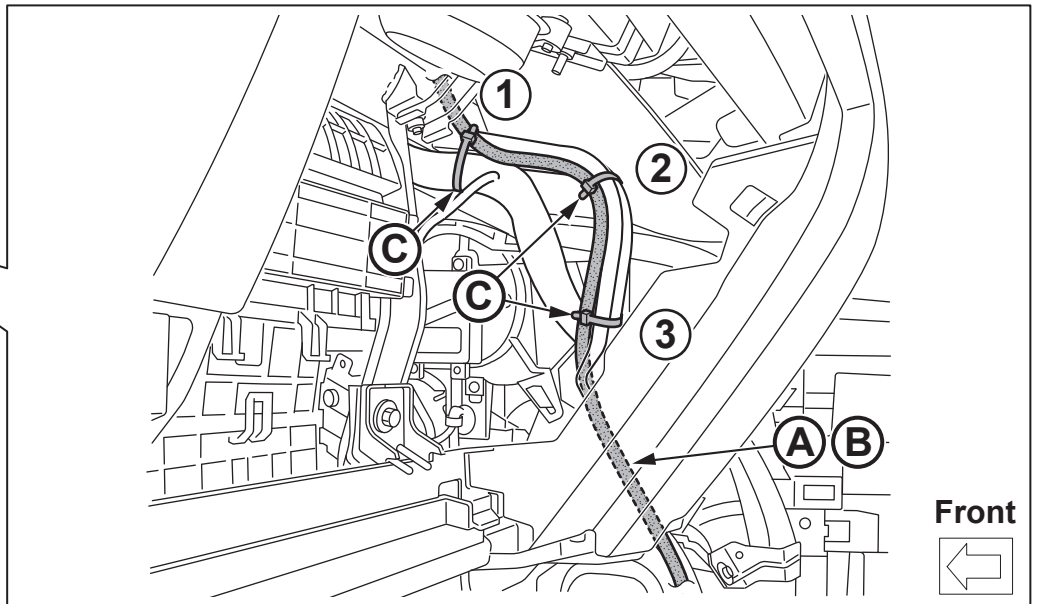
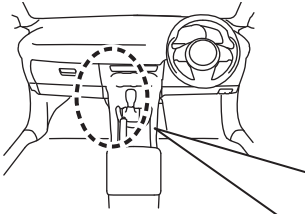
9



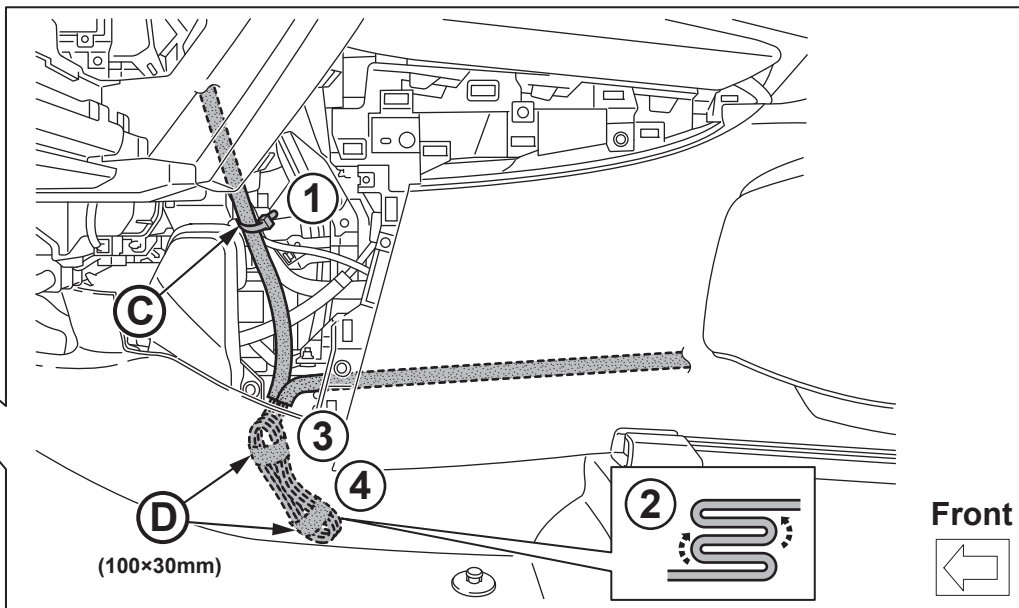
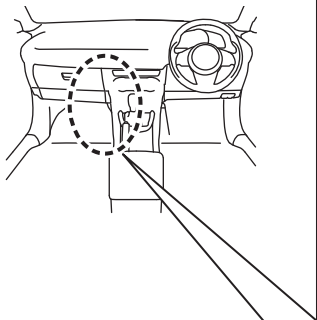
10



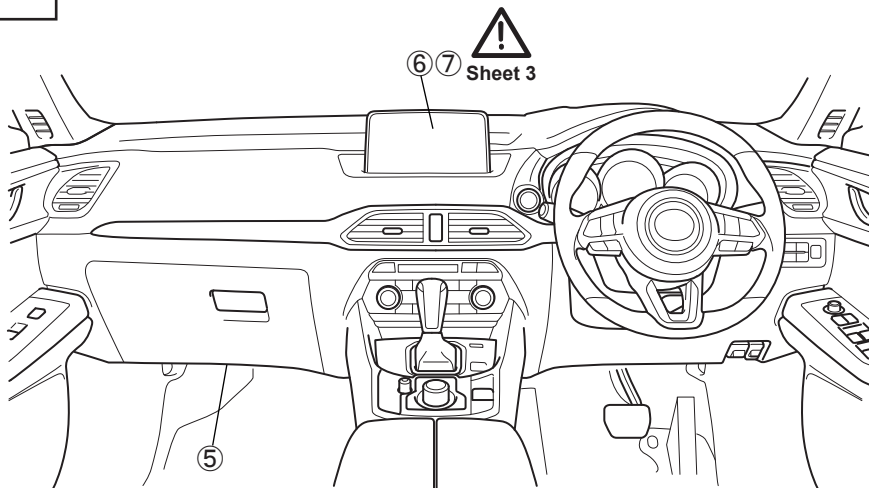
11






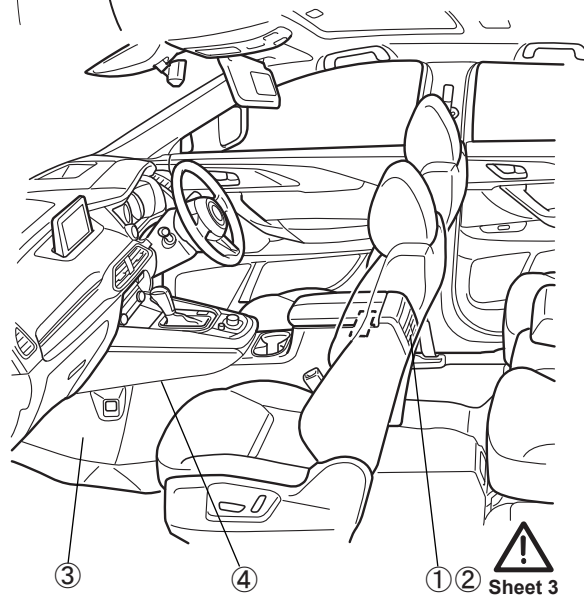
12



13 VEHICLE PART RE-INSTALLING



  
"Required servicing after disconnecting/
connecting negative battery cable"

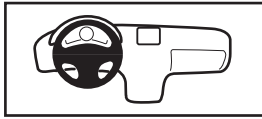


14 OPERATION CHECK



Common-P5
5. OPERATION CHECK



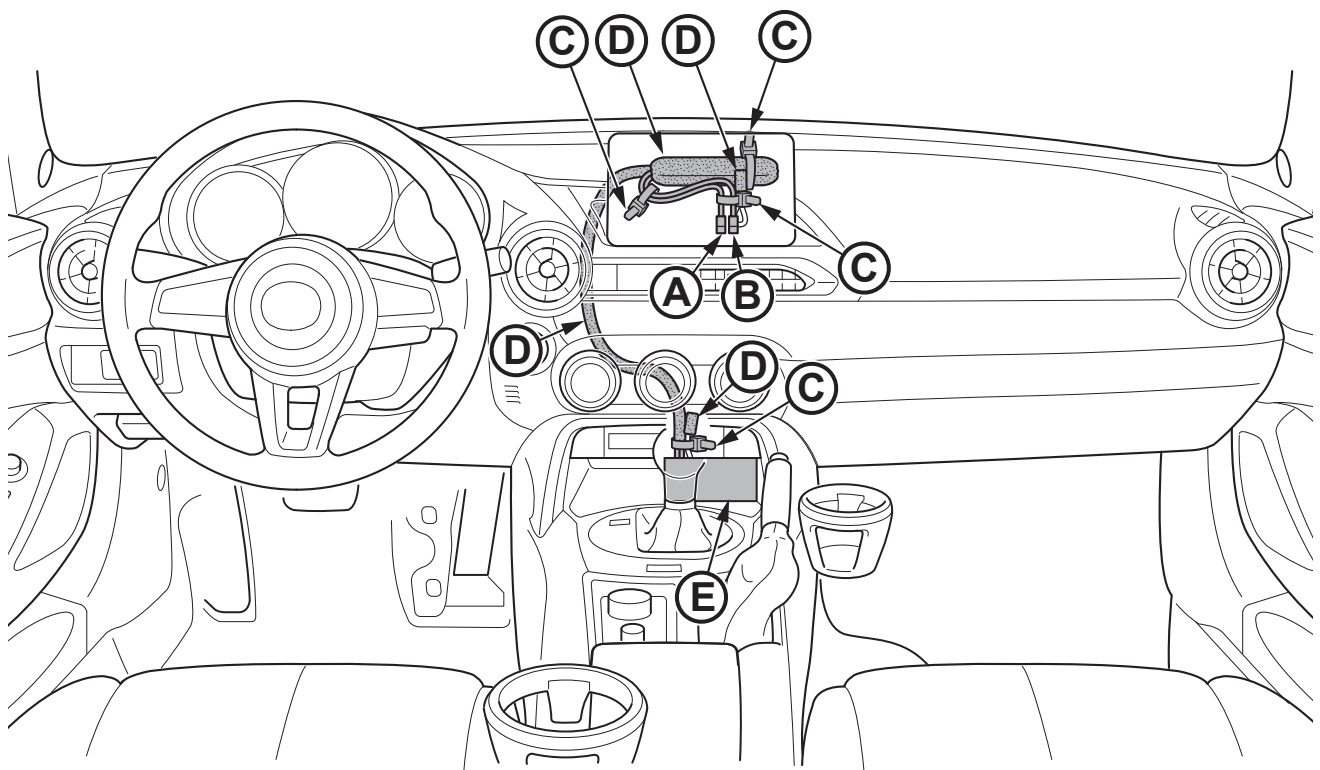
MAZDA MX-5 (ND) [Sheet 65 to 68]


⚠ The firmware **MUST BE UPDATED FIRST before beginning the installation.**

If an older version of the CMU software is being used, the CarPlay/Android Auto-compatible USB hub may not be recognized.

The software must be v70.00.21 or later. If not be sure to update the software.

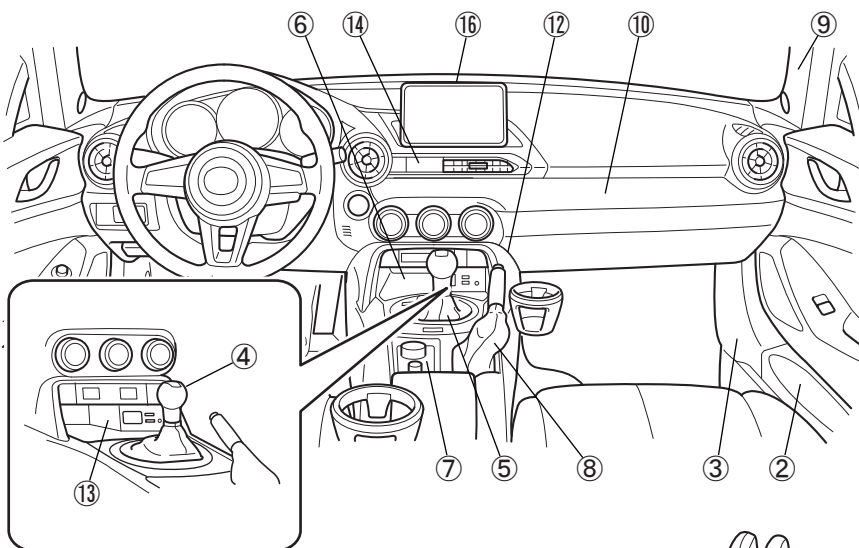
Once the CMU has been attached to the CarPlay/Android Auto-compatible USB hub, the software cannot be updated.



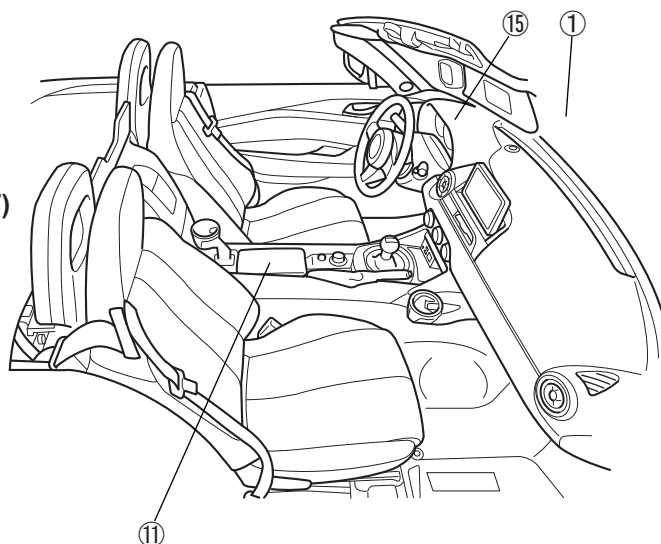
1 VEHICLE PART REMOVAL



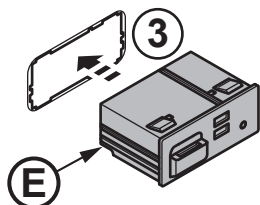
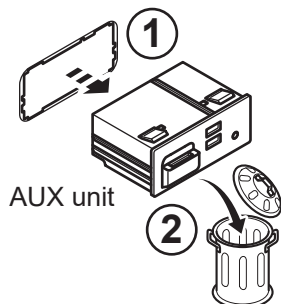
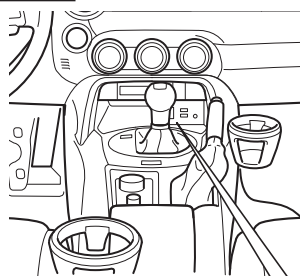
①~⑯



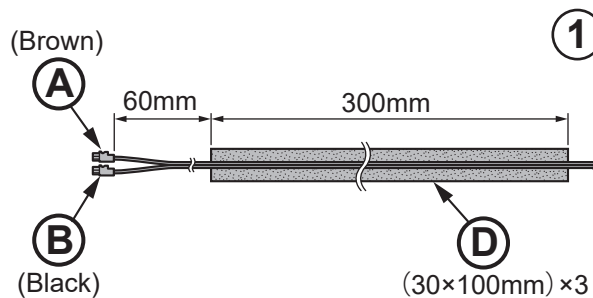
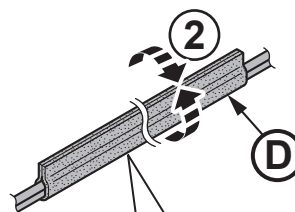
- ① Negative battery cable disconnection
- ② Passenger-side scuff plate
- ③ Passenger-side front side trim
- ④ Shift lever knob (MT) or Selector lever knob (AT)
- ⑤ Shift panel
- ⑥ Console panel
- ⑦ Upper panel
- ⑧ Parking brake lever boots panel
- ⑨ Passenger-side A-pillar trim
- ⑩ Passenger-side lower panel
- ⑪ Rear console
- ⑫ Front console panel
- ⑬ Front console
- ⑭ Center panel No.2
- ⑮ Meter hood
- ⑯ Center display



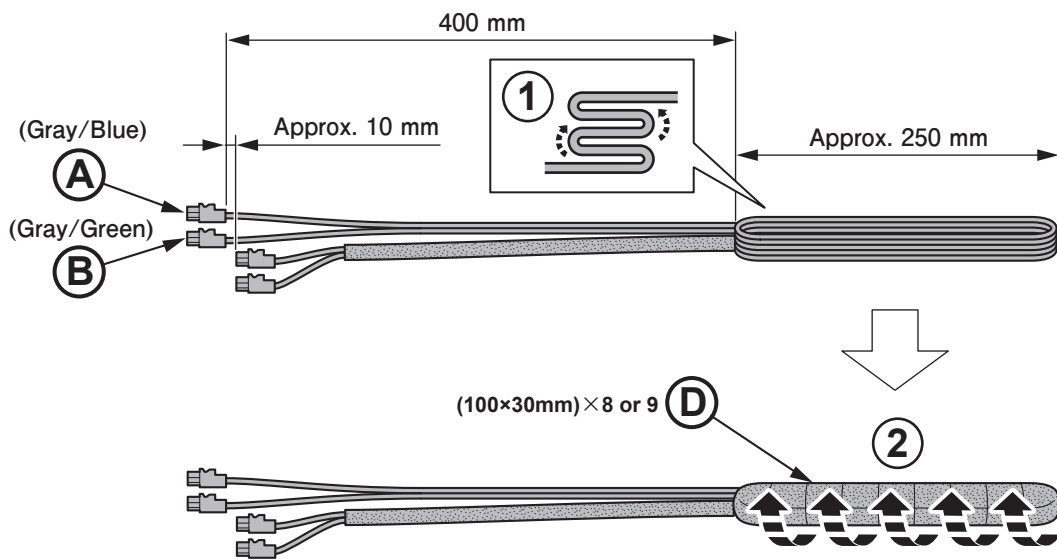
2



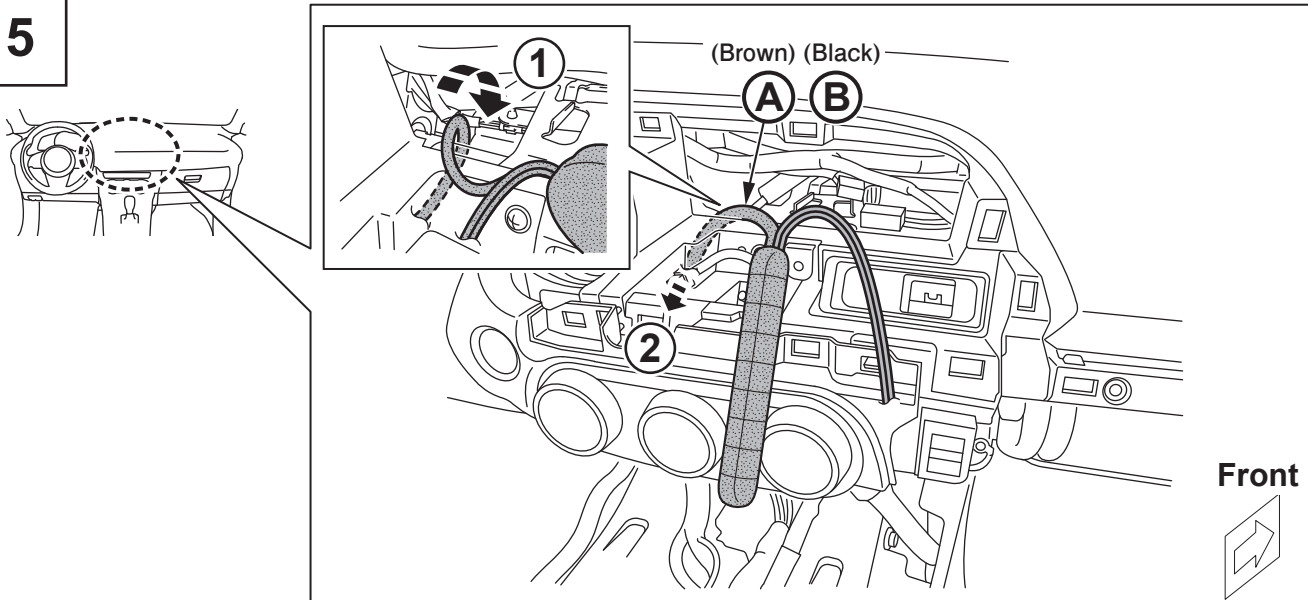
3



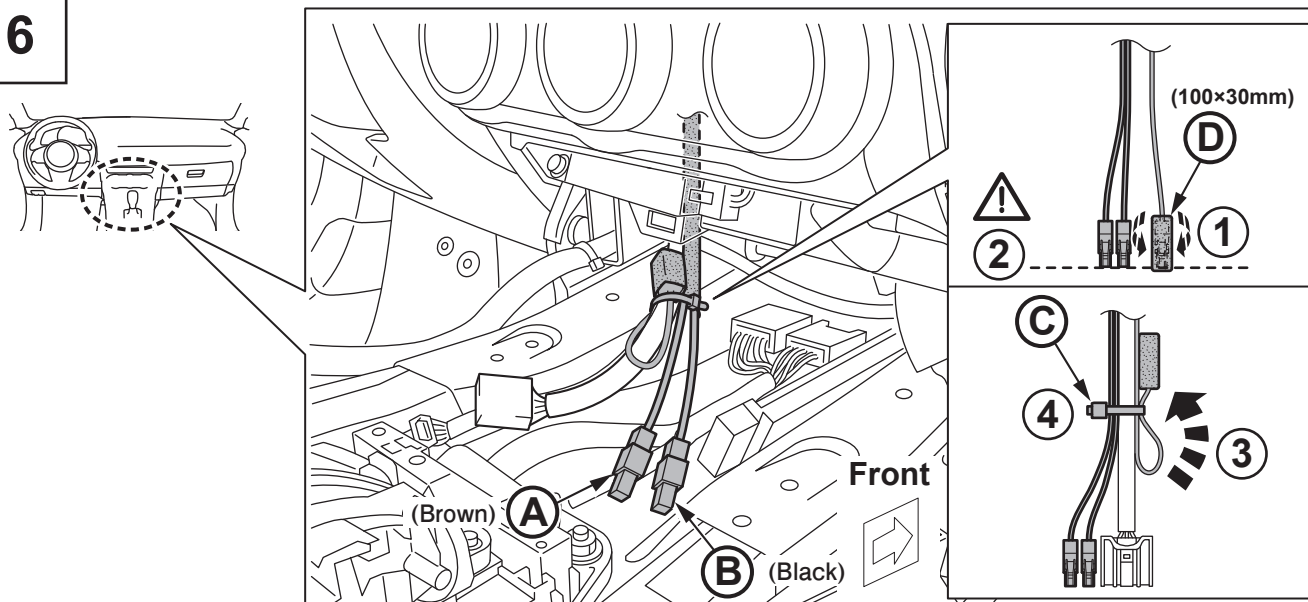
4



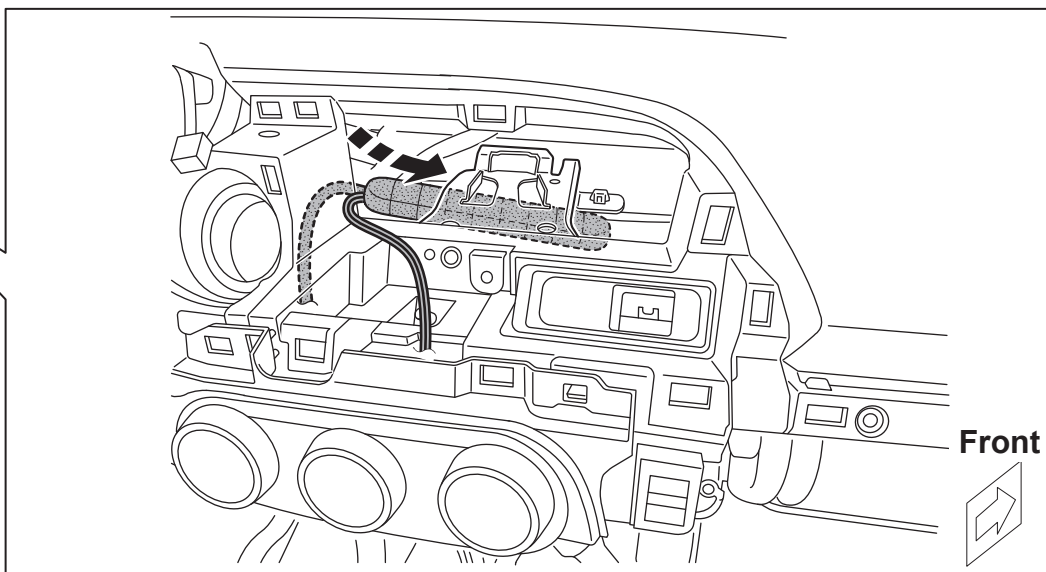
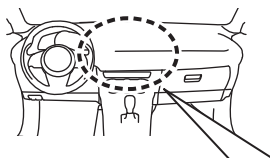
5



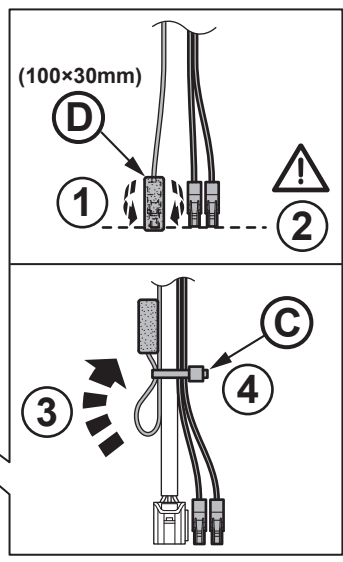
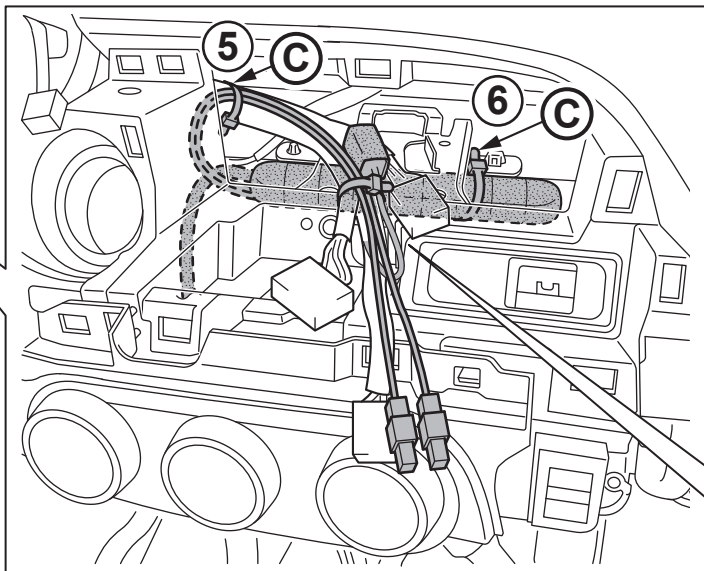
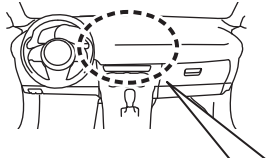
6



7

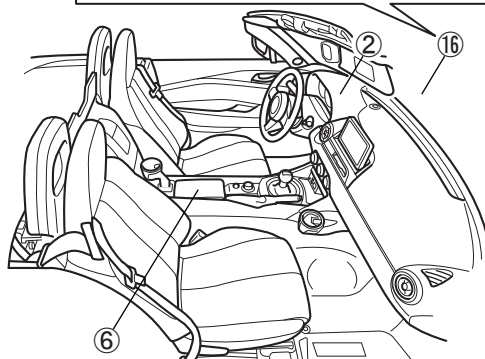
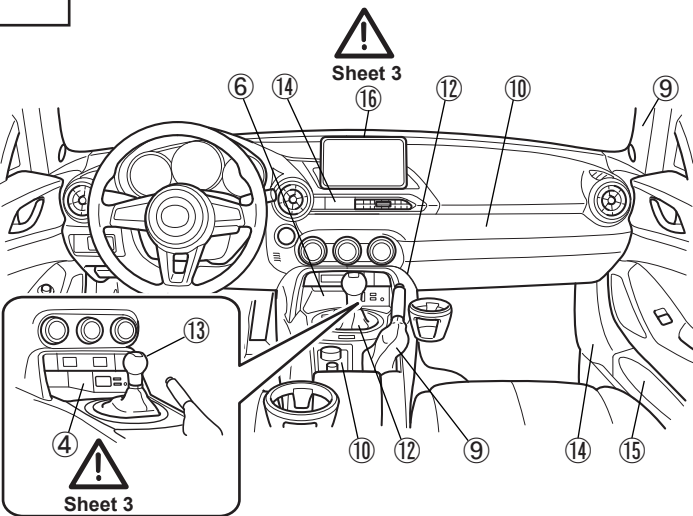


8



9

VEHICLE PART RE-INSTALLING



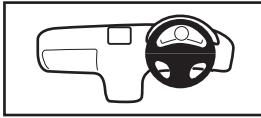
10

OPERATION CHECK



Common-P5
5. OPERATION CHECK



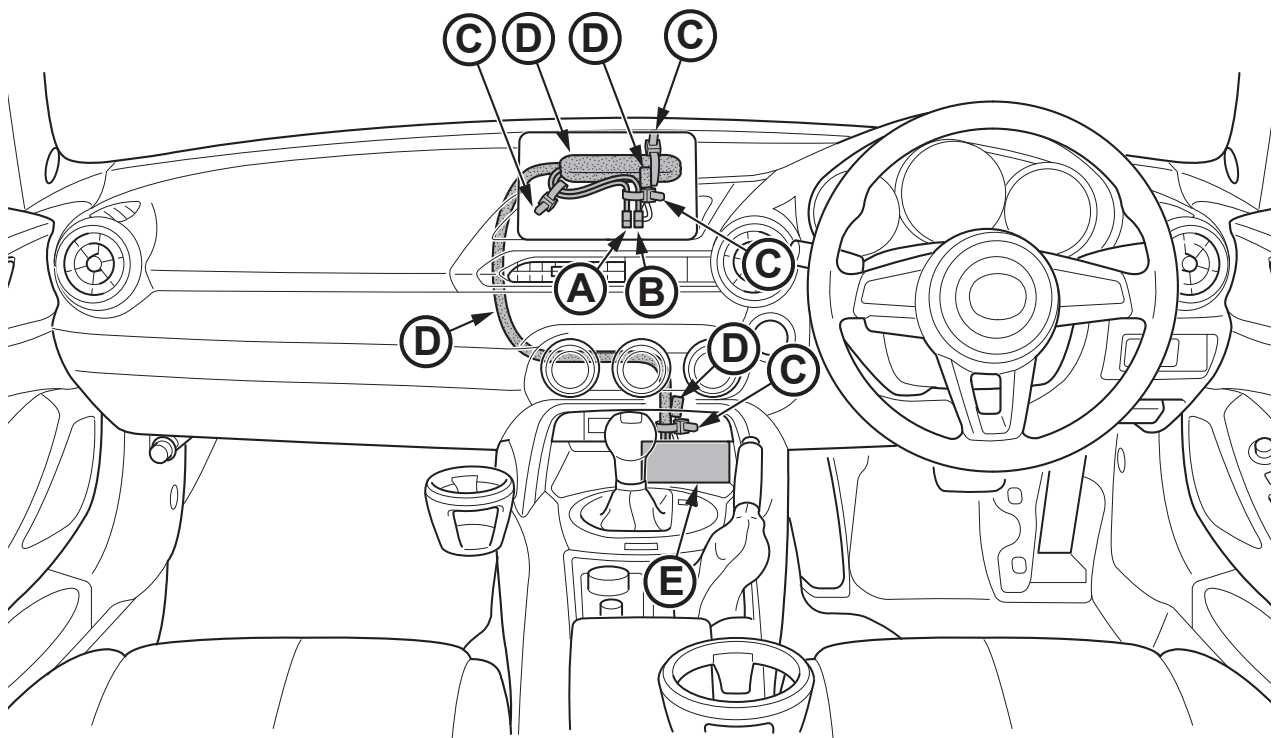
MAZDA MX-5 (ND) [Sheet 69 to 73]


⚠ The firmware **MUST BE UPDATED FIRST before beginning the installation.**

If an older version of the CMU software is being used, the CarPlay/Android Auto-compatible USB hub may not be recognized.

The software must be v70.00.21 or later. If not be sure to update the software.

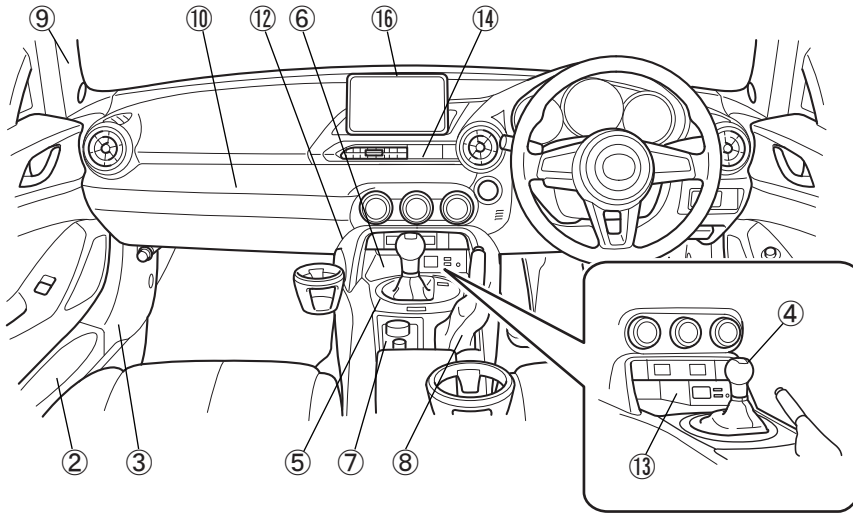
Once the CMU has been attached to the CarPlay/Android Auto-compatible USB hub, the software cannot be updated.



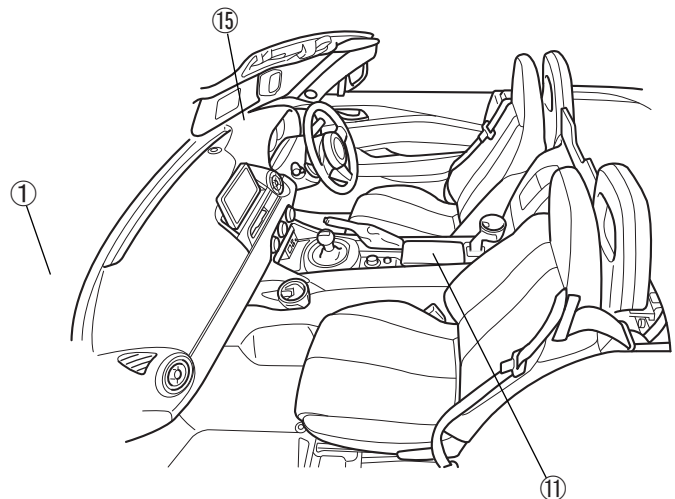
1 VEHICLE PART REMOVAL



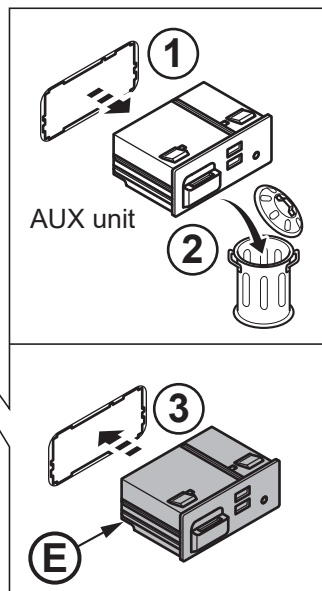
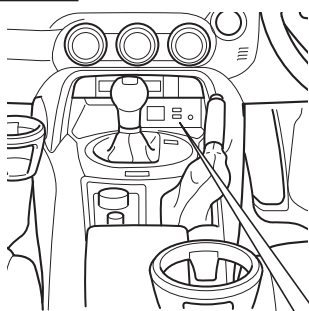
①~⑯



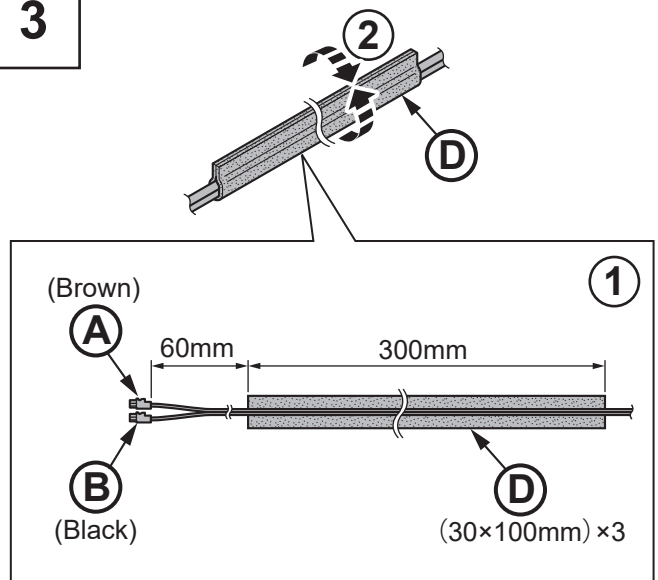
- ① Negative battery cable disconnection
- ② Passenger-side scuff plate
- ③ Passenger-side front side trim
- ④ Shift lever knob (MT) or Selector lever knob (AT)
- ⑤ Shift panel
- ⑥ Console panel
- ⑦ Upper panel
- ⑧ Parking brake lever boots panel
- ⑨ Passenger-side A-pillar trim
- ⑩ Passenger-side lower panel
- ⑪ Rear console
- ⑫ Front console panel
- ⑬ Front console
- ⑭ Center panel No.2
- ⑮ Meter hood
- ⑯ Center display



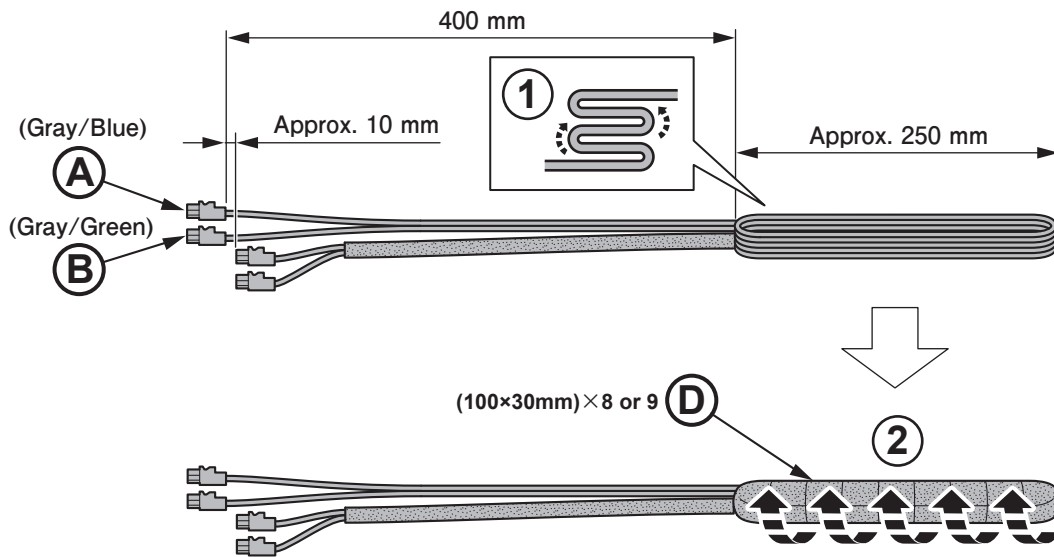
2



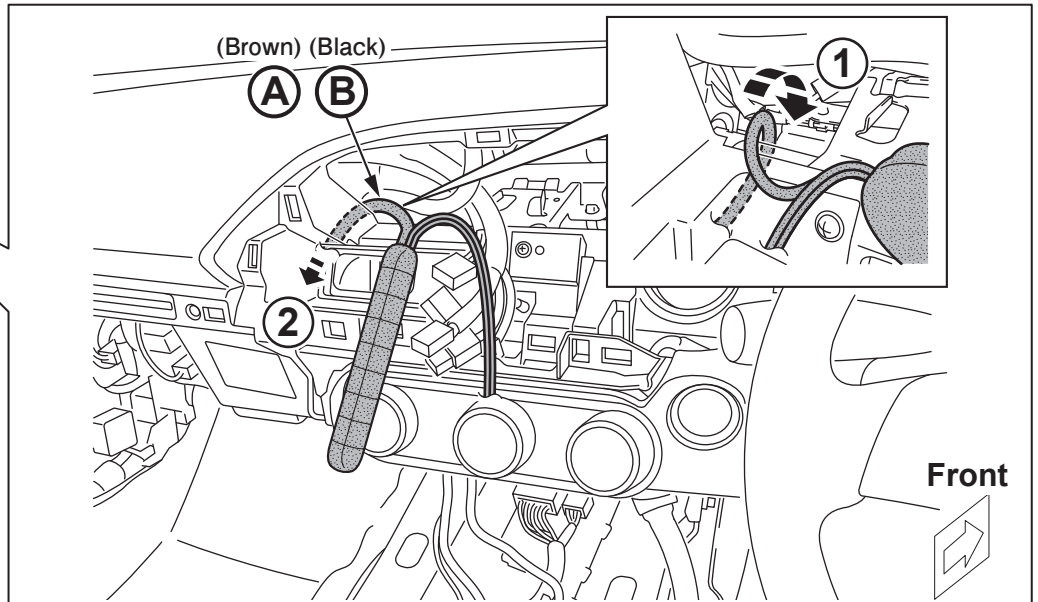
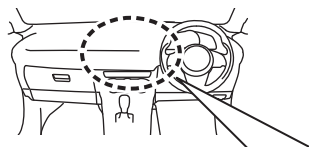
3



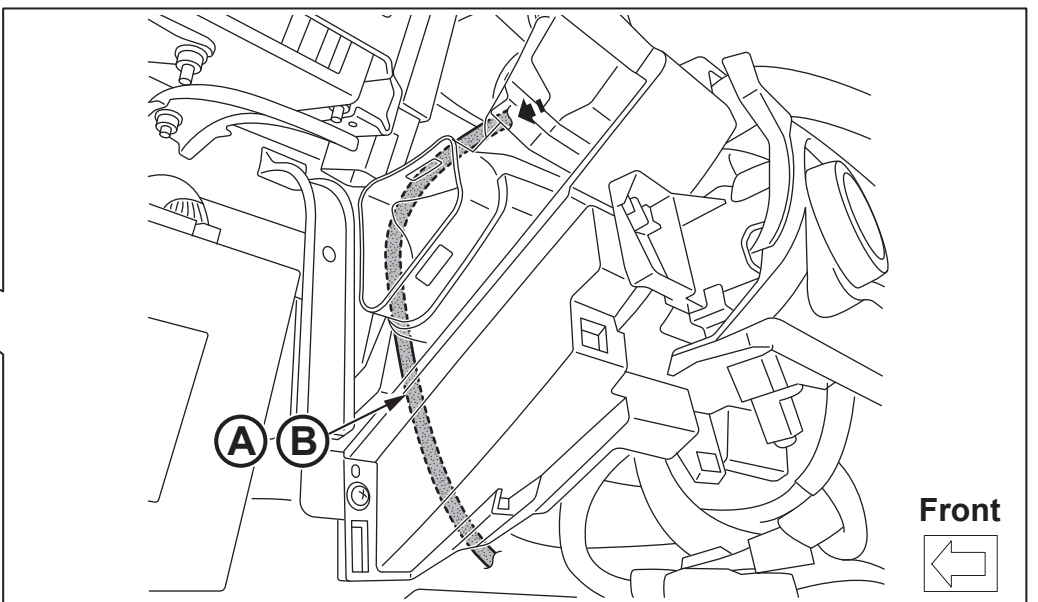
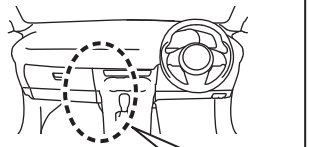
4



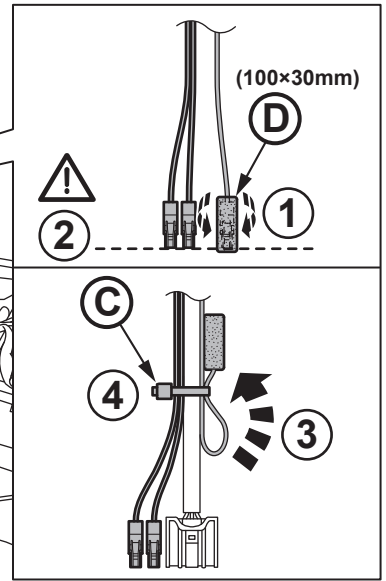
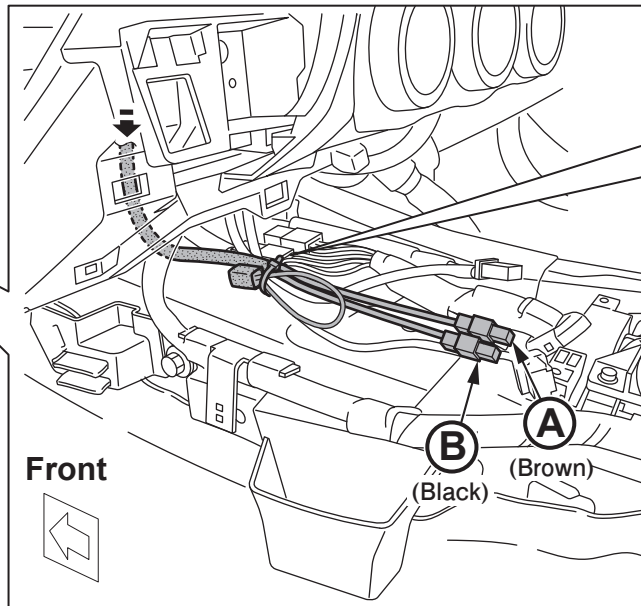
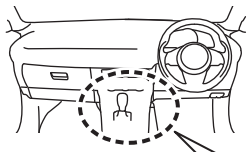
5



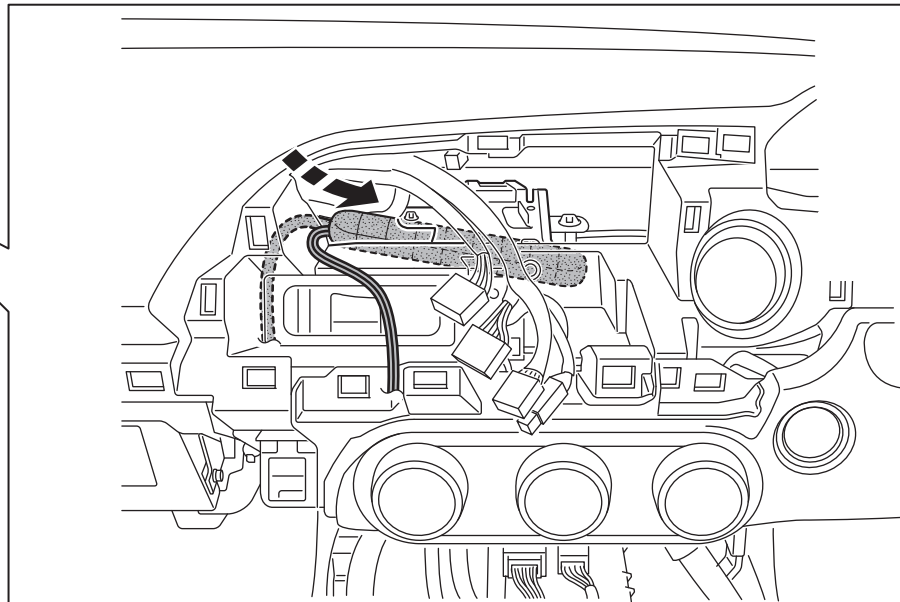
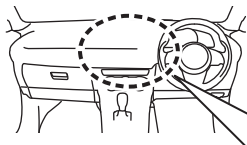
6



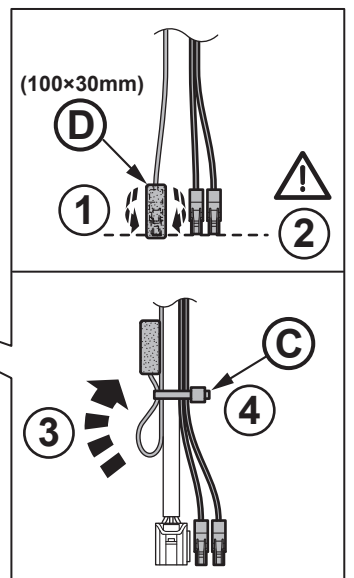
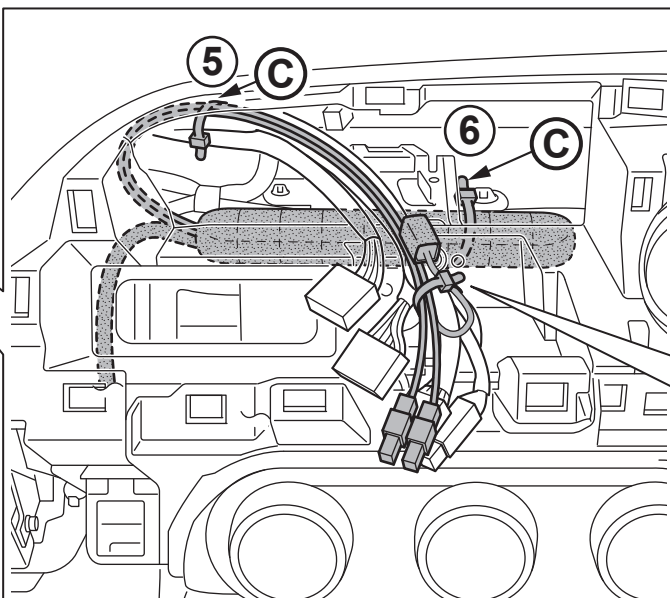
7



8



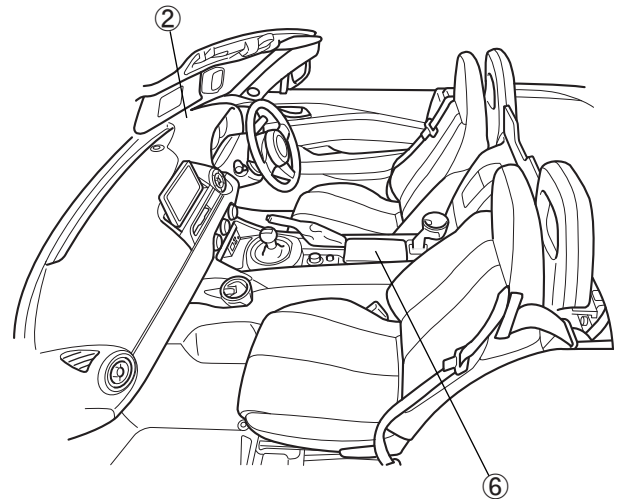
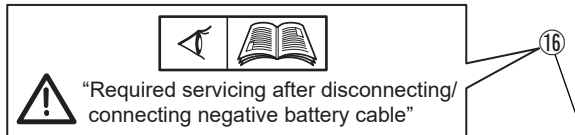
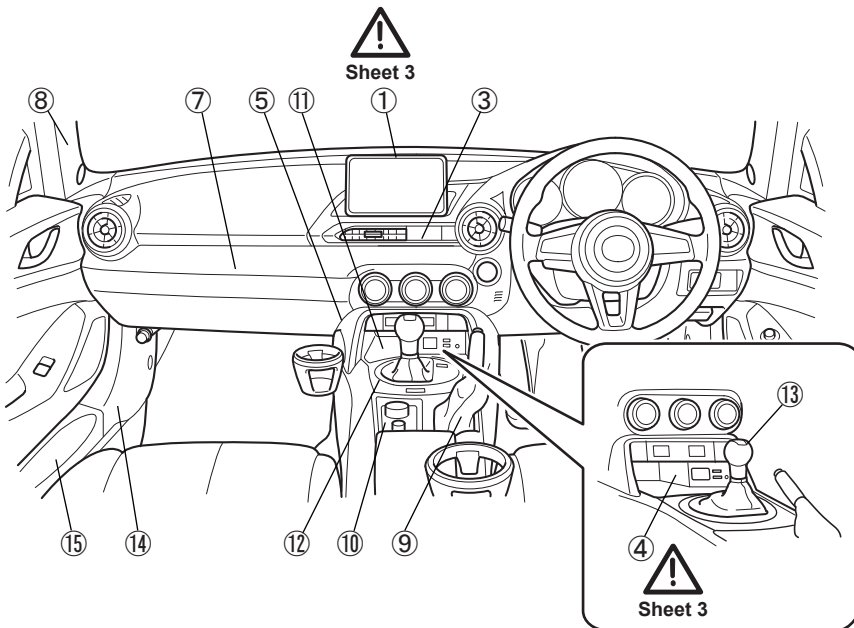
9



10 VEHICLE PART RE-INSTALLING



①~⑯



11 OPERATION CHECK



Common-P5
5. OPERATION CHECK

